

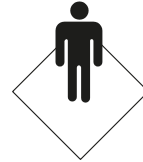


Easy Link 6 Drawer Chest
Item Code:338544
Assembly Instruction



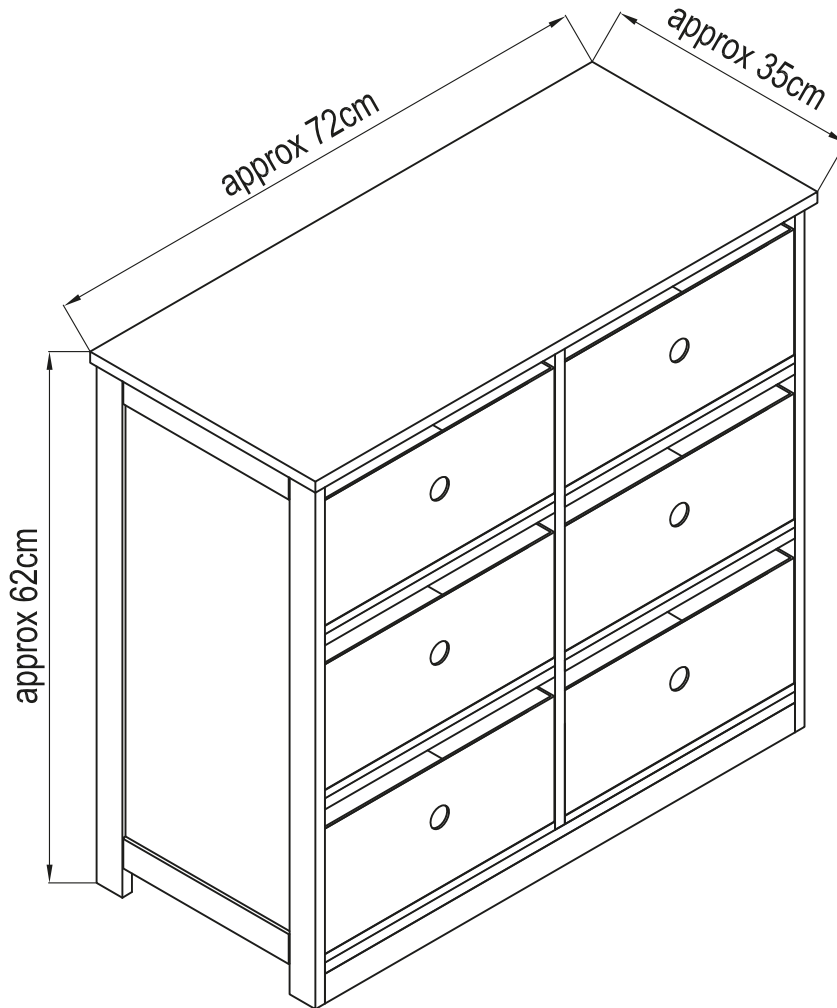
1 PERSON ASSEMBLY

FLOOR AREA
2Mx1M



REQUIRED ASSEMBLY SPACE

ASSEMBLED DIMENSIONS

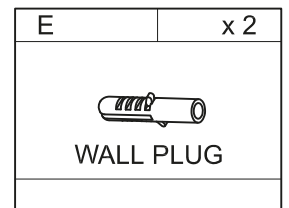
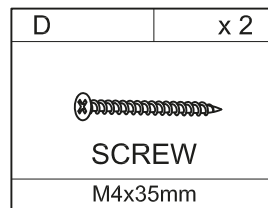
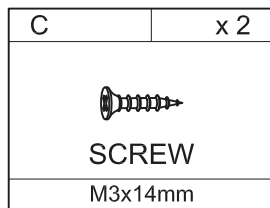
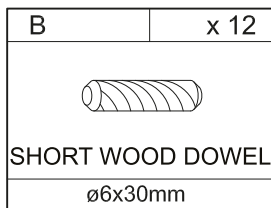
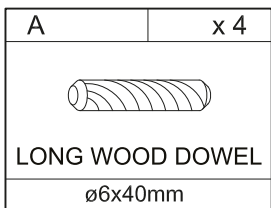
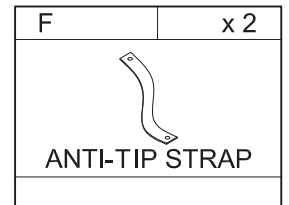
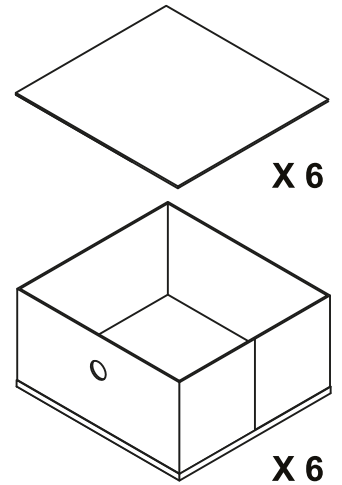
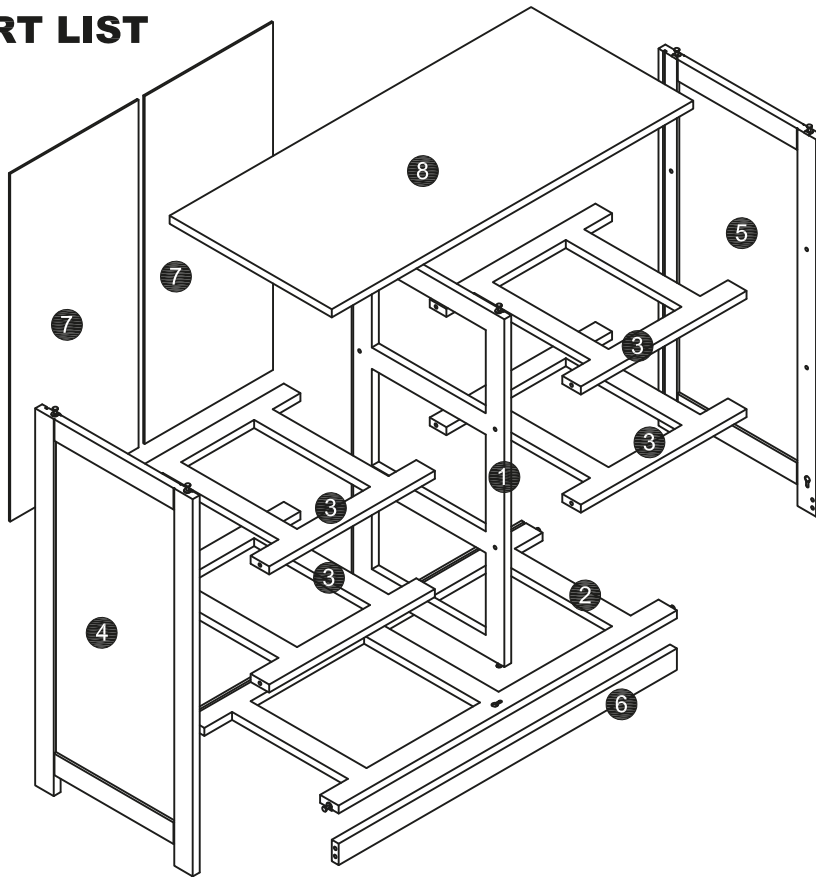


MAX. LOADING : 20KG

MODEL NAME:
Easy Link 6 Drawer Chest
Item Code:338544

NO.	PART LIST	QTY	NO.	PART LIST	QTY
①	MIDDLE PANEL	1	⑥	BOTTOM PANEL	1
②	BOTTOM PANEL	1	⑦	BACK PANEL	2
③	SHELF PANEL	4	⑧	TOP PANEL	1
④	LEFT SIDE PANEL	1		FABRIC-DRAWER	6
⑤	RIGHT SIDE PANEL	1		FABRIC-DRAWER BASE	6

PART LIST



MODEL NAME:
Easy Link 6 Drawer Chest
Item Code:338544



Safety Advice and Care Advice

KEEP ALL THE SAFETY ADVICE AND INSTRUCTIONS IN A SAFE PLACE FOR FUTURE REFERENCE!

⚠ WARNING! RISK OF LOSS OF LIFE OR ACCIDENT

TO INFANTS AND CHILDREN! Never leave children unsupervised with the packaging materials. Danger of suffocation.

⚠ CAUTION! RISK OF INJURY! Make sure that all parts are undamaged and assembled correctly. Improper assembly carries a risk of injury. Damaged parts may affect the safety and function of the product.

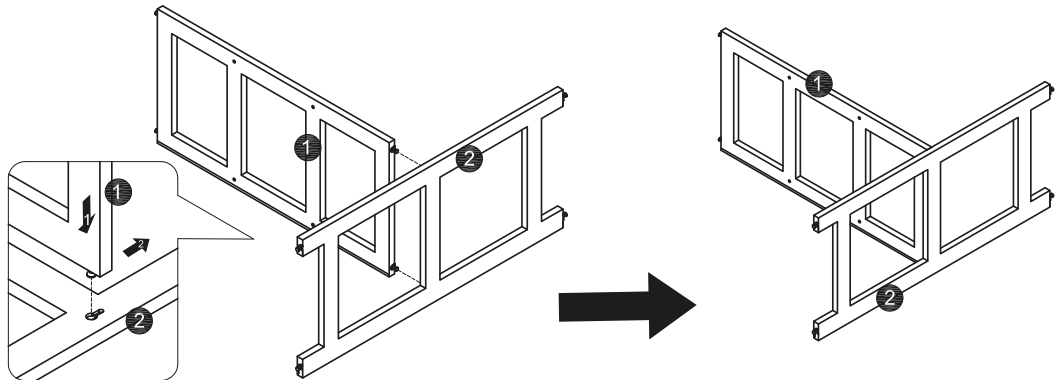
- Make sure that this product is standing on a solid, level surface.

⚠ CAUTION! Do not leave children unsupervised! The product is not a climbing frame or a toy! Make sure that nobody, especially a child, climbs on or leans against the product.

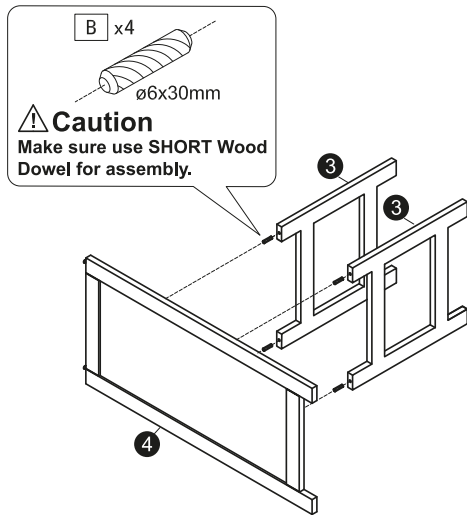
- Distribute weight evenly across the product so that it cannot overturn.
- Do not load more than a total of 20 kg onto the product, otherwise there is a risk of injury and/or damage to the product.
- Check that the product is stable before using it.
- Do not lift or move the product when it is loaded.
- Keep away from fire and inflammable objects.
- Wipe clean with a damp cloth.
- Make sure that all screws and fixings are secure before use.
- Do not place very hot or very cold items on the surface(s) unless adequately thick table mats are used.
- Please periodically check all fittings and re-tighten as necessary.
- Domestic use only.

MODEL NAME:
Easy Link 6 Drawer Chest
Item Code:338544

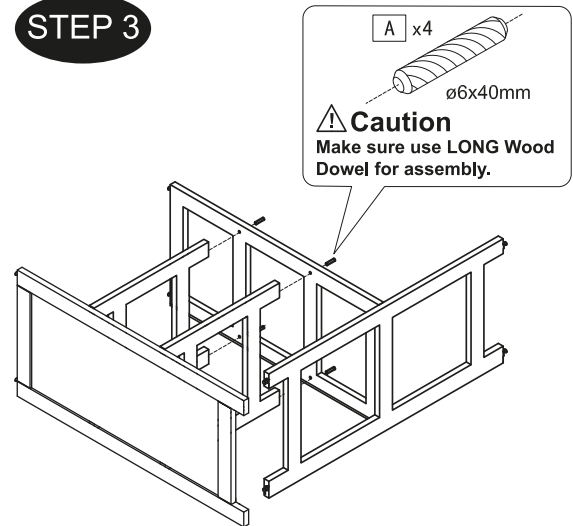
STEP 1



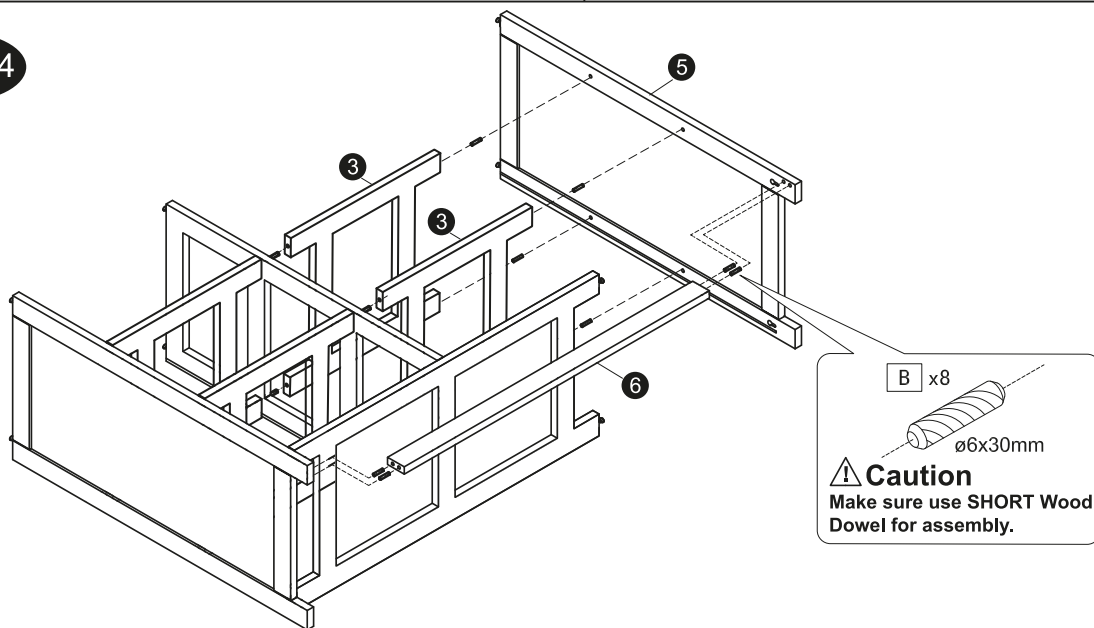
STEP 2



STEP 3

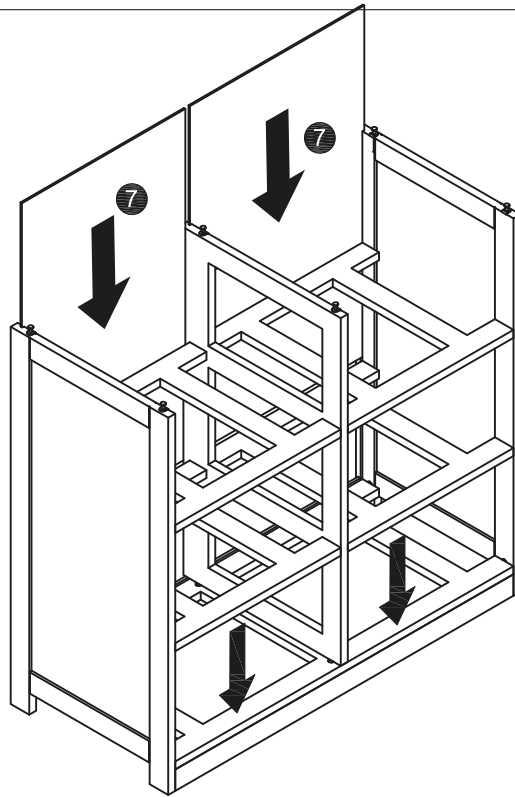


STEP 4

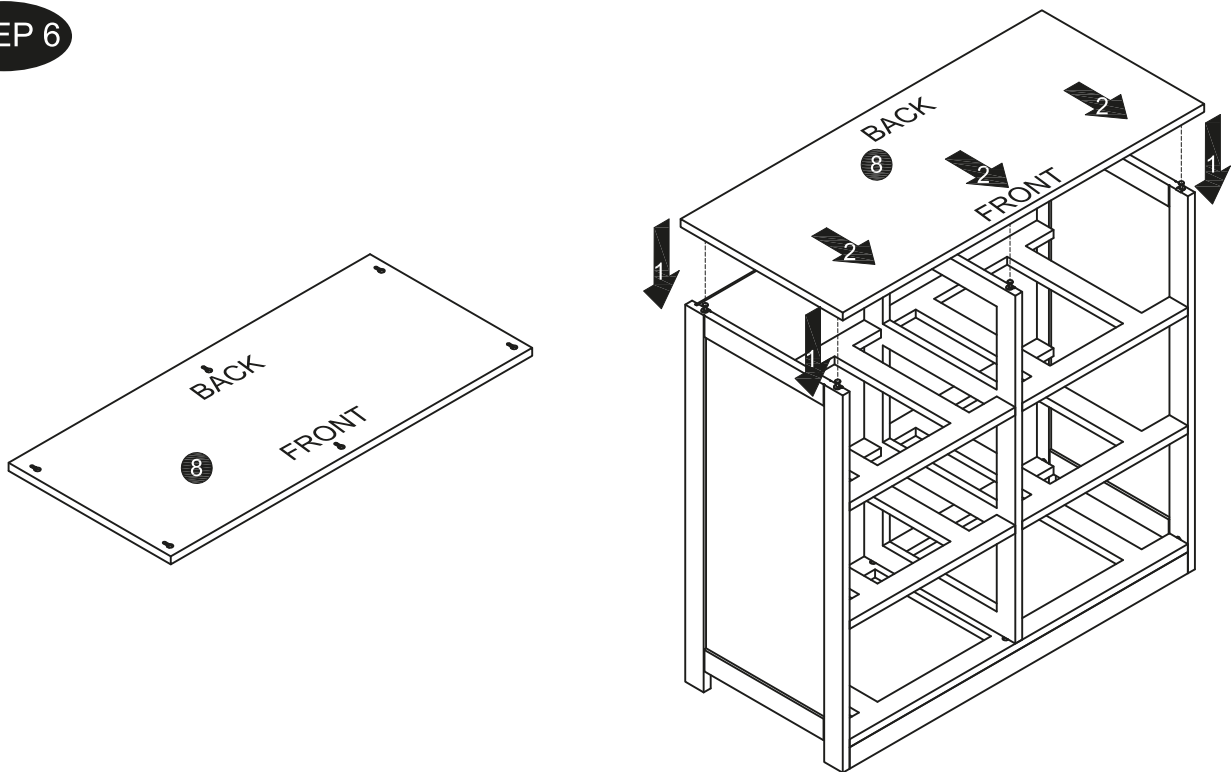


MODEL NAME:
Easy Link 6 Drawer Chest
Item Code:338544

STEP 5

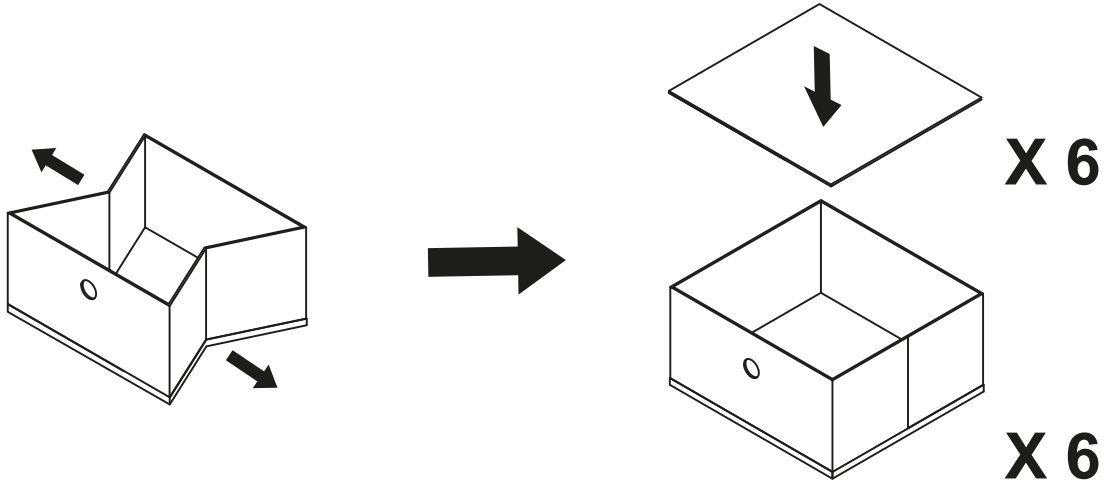


STEP 6

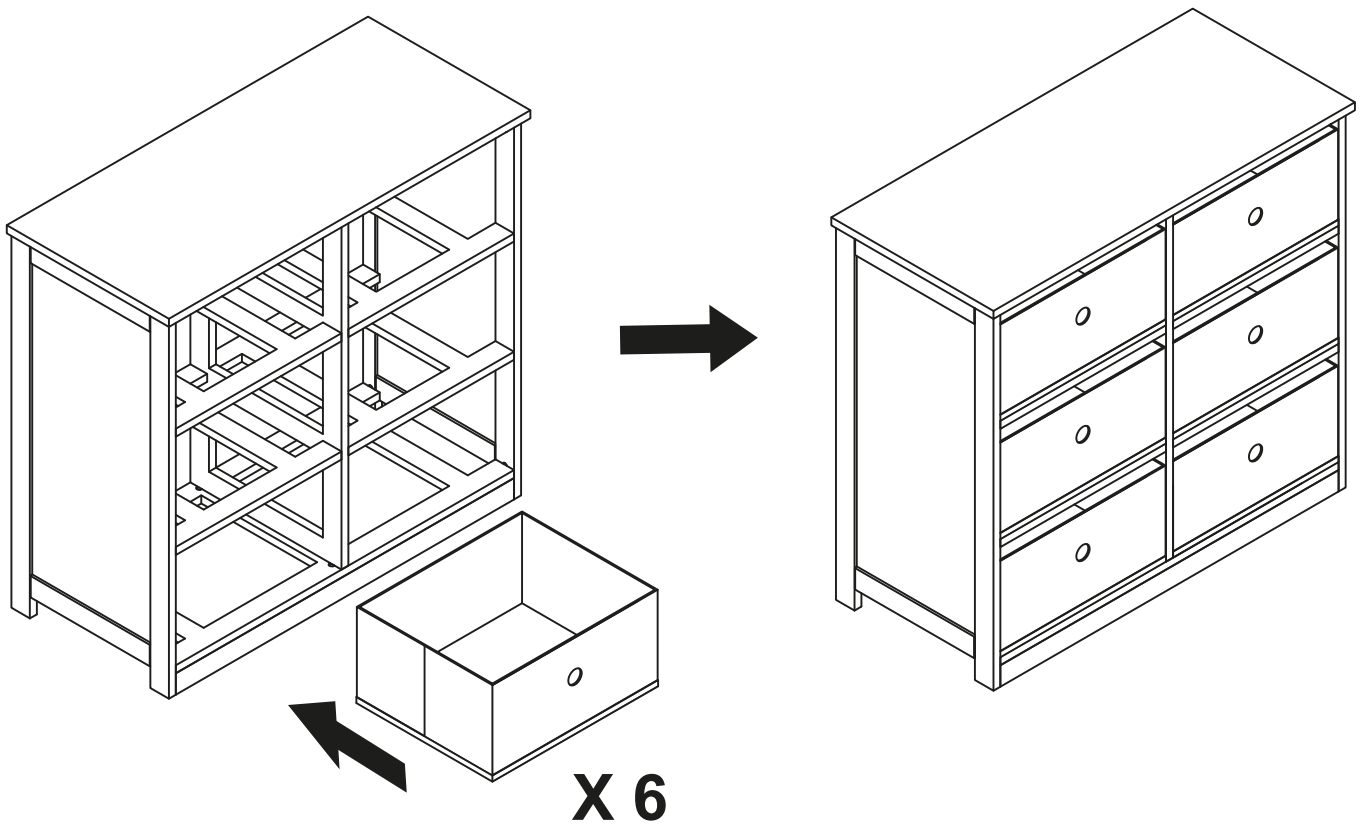


MODEL NAME:
Easy Link 6 Drawer Chest
Item Code:338544

STEP 7



STEP 8

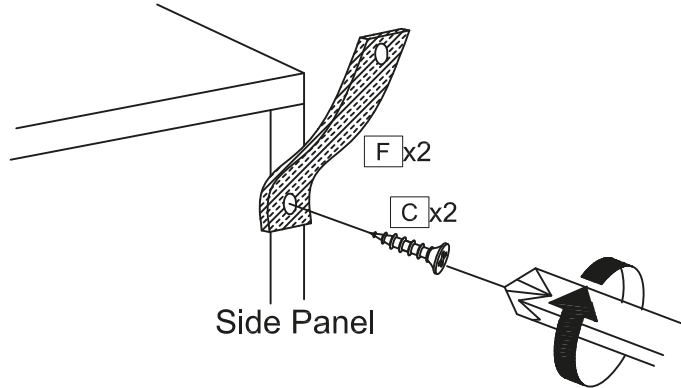


MODEL NAME:
Easy Link 6 Drawer Chest
Item Code:338544

FITTING OF ANTI-TIP STRAP

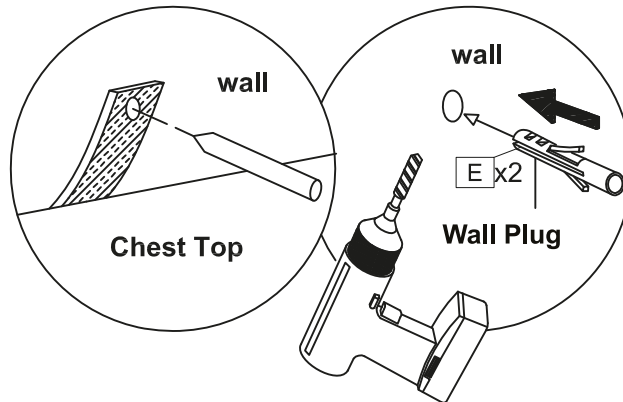
STEP 9

Insert screws through strap on the chest.



STEP 10

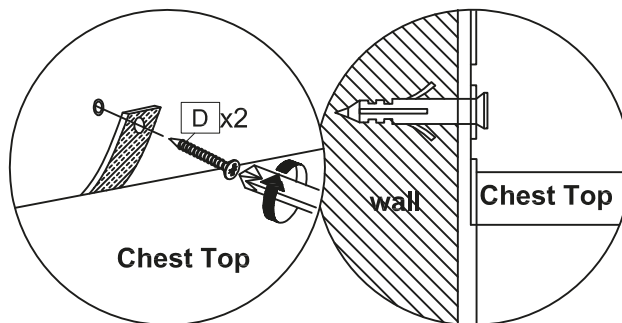
Make a mark on the wall through the strap.







Drill a hole in the wall and insert the wall plug.

STEP 11

Insert screw through strap into hole in wall

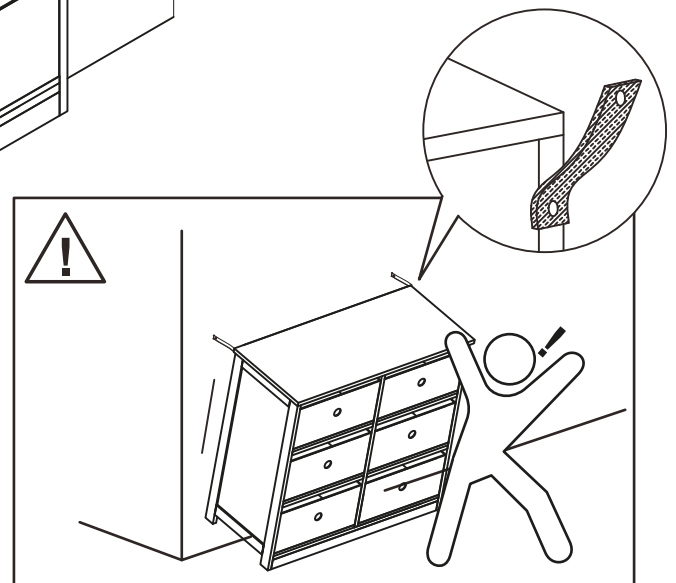
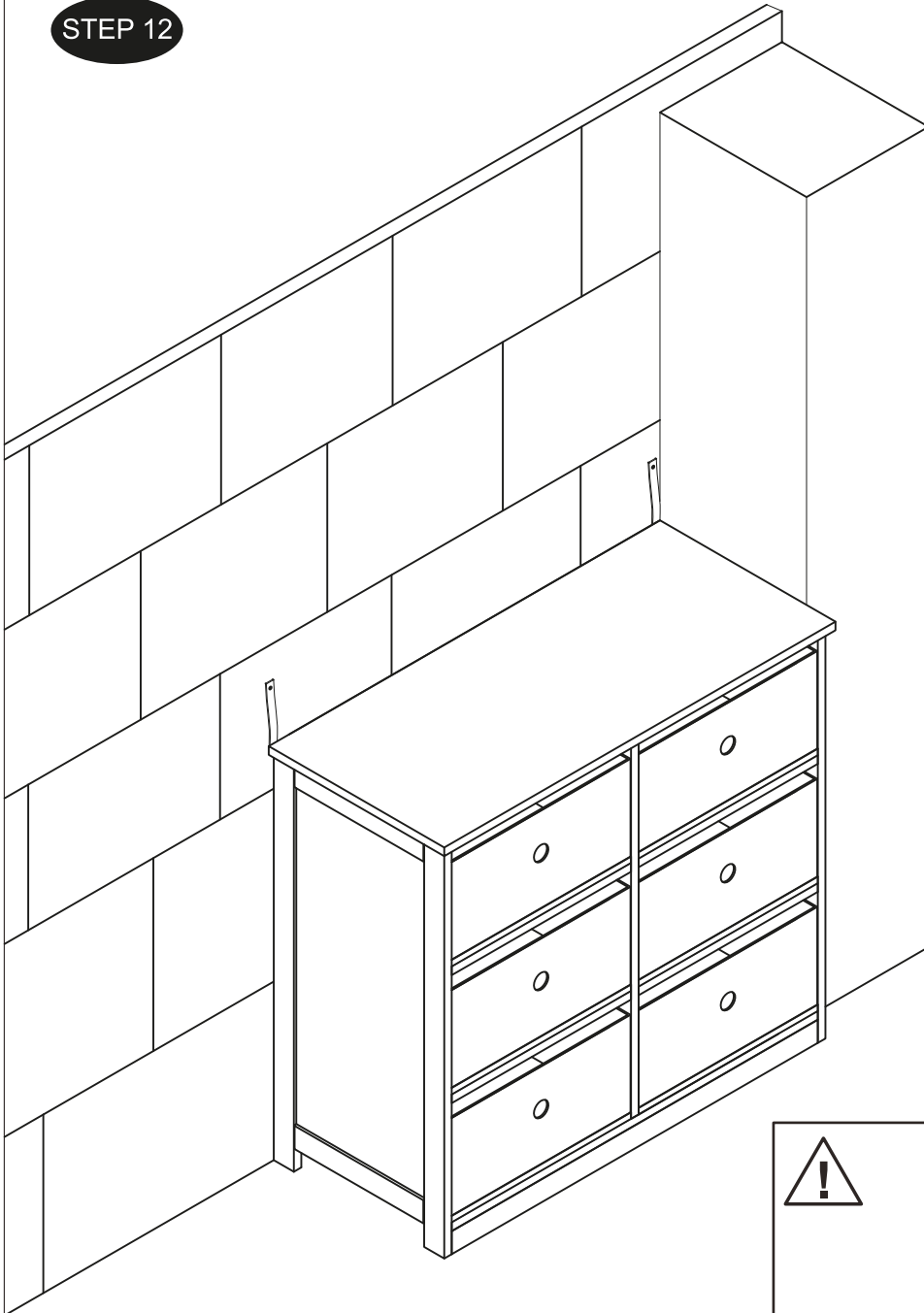


HARDWARE LIST

- 
C Screw M3 x 14mm - 2pcs
- 
D Screw M4 x 35mm - 2pcs
- 
E Wall Plug - 2pcs
- 
F Anti-Tip Strap - 2pcs

MODEL NAME:
Easy Link 6 Drawer Chest
Item Code:338544

STEP 12



Domestic use only

8-8

Manufactured for
B&M Retail Ltd, L24 8RJ, UK
MADE IN CHINA