

Size: 100x140mm

CHARGING INSTRUCTIONS:

The speaker comes with a built in rechargeable battery. Connect the Micro USB cable to a USB charging port and the other end to the Micro USB supply port of the speaker. The Red LED illuminates while the speaker is charging.

It takes around 4 hours for the unit to fully charge. When the battery is fully charged, the red LED will switch off. You can also use the speakers whilst powered through the USB charging cable.

POWER SUPPLY MODE :

The device is powered by the built-in 3,7V lithium battery. Push the "ON/OFF" button to "ON" position to power on the device.

Remarks :

(A) We recommend you to charge the battery for 4 to 5 hours before first use, and remember to charge the battery at least once every month.

(B) In any state or during any time, you can charge the built-in battery by connecting one end of the attached Micro USB cable to a USB charging port and the other end to the USB port of the device (it takes about 4 hours to fully charge an empty battery).

6

(C) You can use any DC 5V (1A) power adaptor with USB output port to charge and use the device.

(D) The device may not work properly during charging, so please fully charge the battery and disconnect the Micro USB cable before use.

(E) Push the "ON/OFF" button to "OFF" position before charging.

STORAGE:

Turn off the power when not in use, clean and store safely.

CLEANING & MAINTENANCE:

Unplug the product from the supply if it is left unattended and before cleaning. NEVER immerse the product into water and use a dry cloth for cleaning.

DO' S AND DON' TS:

- Do not expose the speaker to liquid, moisture or humidity to avoid the product' s internal circuit being affected.
- Don' t use abrasive cleaning solvents to clean the speaker.
- Do not expose the speaker to extremely high or low temperature as this will shorten the life of electronic devices, destroy the battery or distort certain plastic parts.

7

- Don' t dispose of the speaker in a fire as it will result in an explosion.
- Don' t expose the speaker to contact with sharp objects as this will cause scratches and damage.
- Don' t let the speaker drop on to the floor. The internal circuitry might get damaged.
- Don' t attempt to disassemble the speaker as it may get damaged if you are not professional.
- Use only the cell or battery in the application for which it was intended.
- Dispose of properly.
- Retain the original product literature for future reference.
- Do not dismantle, open or shred secondary cells or batteries.
- Do not leave a battery on prolonged charge when not in use.
- Do not expose the speakers to heat or fire. Avoid storage in direct sunlight.
- Do not subject the speakers to mechanical shock
- In the event of a cell leaking, do not allow the liquid to come in contact with the skin or eyes. If contact has been made, wash the affected area with copious amounts of water and seek medical advice.
- Batteries give their best performance when they are operated at normal room temperature (20 °C ± 5 °C).
- Do not use any cell or battery which is not designed for use with the equipment.

8

Specifications

Bluetooth specification	Bluetooth V 4.2
Operating distance	10 meters (max.)
Speaker power	1 x 3W
Built-in battery	3.7V / 1200mAh
Charging input voltage	DC 5V –1000mA
Charging time	Approx. 4 hours
Working time	Approx. 2-3 hours

9



is a trademark on a registered trademark of Bluetooth SIG Inc.

Guidelines for protection of the environment

This appliance should not be put into the domestic garbage at the end of its useful life, but must be disposed of at a central point for recycling of electric and electronic domestic appliances. This symbol on appliance, operation manual and packaging puts your attention to this important issue. The materials used in this appliance can be recycled. By recycling used domestic appliances you contribute an important push to the protection of our environment. Ask your local authorities for information regarding the point of recollection.

B&M L24 8RJ
Made in China



10

GUARANTEE

This product is guaranteed for twelve months from the date of original purchase. If any defect should occur due to faulty materials or workmanship, the unit will either be replaced or refunded at our discretion. You will need to have your receipt or proof of purchase.

THE FOLLOWING CONDITIONS APPLY

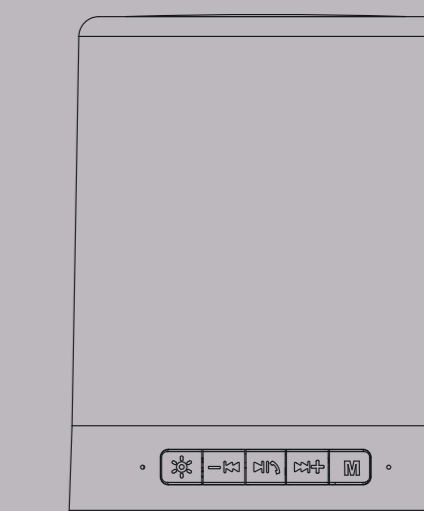
- The product must be returned to the retailer with original proof of purchase.
- It is only valid in the UK.
- It does not cover wear and tear, damage, misuse or consumable parts.
- The product must be correctly installed and operated in accordance with the instructions contained in the operation manual.
- The product must be used solely for domestic purposes.
- The guarantee will be rendered invalid if the product is re-sold or has been damaged by inexpert repair.
- The guarantee is in addition to, and does not diminish your statutory or legal rights.

11



MULTICOLOURED TOUCH
LIGHT-UP+WIRELESS
MOOD SPEAKER

WATCH AND LISTEN TO YOUR MUSIC



OPERATION MANUAL

THANK YOU FOR PURCHASING

Please read all instructions carefully before using and retain this operation manual for future use and reference.

IN THE BOX:

- Bluetooth Moodlight Speaker
- Line in Cable
- USB Charging Cable
- Operation Manual

FEATURES:

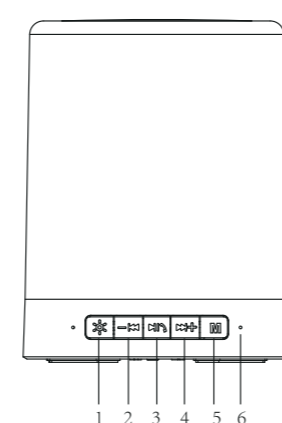
- Multicolor 7 mode LED lights.
- Built-in microphone for hands free phone calls.
- Connect via Bluetooth or Line in.
- Compatible with all music players, for example, MP3/4 players, Mobile phone, Computer, iPhone, iPad or iPod etc.
- 1 x 3W speaker
- Built-in 1200mAh rechargeable battery for use on the go.

When using any electrical product, basic safety precautions should always be followed including the following:

1. Always ensure that the voltage on the rating label corresponds to the mains voltage in your home.
2. Incorrect operation and improper use can damage the product and cause injury to the user.
3. This product is not intended for use by persons (including children) with reduced physical, sensory or mental capabilities, or lack of experience and knowledge, unless they have been given supervision or instruction concerning use of the product by a person responsible for their safety. Children should be supervised to ensure that they do not play with the product.
4. Check the power cord and plug regularly for any damage. If the cord or the plug is damaged, it must be replaced by the service agent or qualified person in order to avoid an electrical hazard.
5. Do not use the product if it has been dropped or damaged in any way. In case of damage, take the unit in for examination and/ or repair by an authorised service agent.
6. Never immerse the unit in water or any other liquid for cleaning purposes.

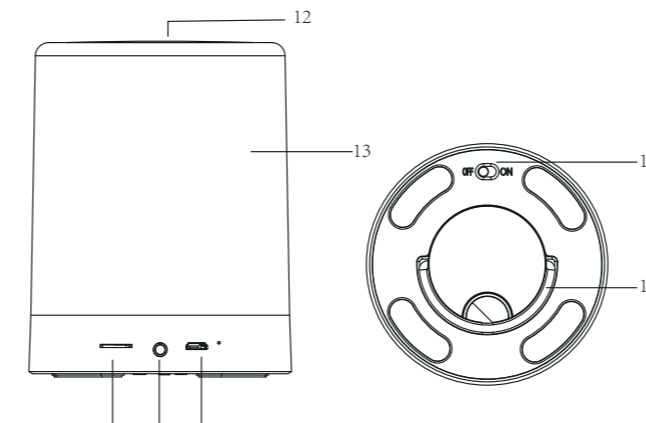
1

PRODUCT DIAGRAM



1. LED Light Switch
Press the button to turn ON / OFF the touch switch function.
2. Previous Track / Decrease Volume
Press the button once to go back to the previous track. Hold the button to decrease the volume.
3. Play/ Pause/ Answer a Call/ End a Call
Press the button to play or pause the music. When receiving a call, press the button once to play to answer or end the call. Hold the button to refuse the call.
4. Next Track / Increase Volume
Press the button once to skip to the next track. Hold the button to increase the volume.
5. Mode Button
Press button to choose Bluetooth, TF Card playback and LINE IN mode
6. LED Indicator Light

2



7. TF Card Slot
8. LINE in Port
9. DC 5V / Micro USB Supply
10. Power ON / OFF
11. Metallic Hook
12. Touch Switch
Touch to choose the LED light brightness and colour. A short touch will change the brightness, a longer touch will change the colour.

3

INSTRUCTIONS FOR USE (BLUETOOTH PAIRING):

Push the Power ON/OFF button to "ON"
Press the Mode button once to turn on Bluetooth mode. You will see the LED indicator light is flashing and hear a tone.
Turn on the Bluetooth function on your Bluetooth device (Mobile Phone or Tablet). Please refer to manufacturer's instructions on enabling Bluetooth on your device.
Once you have turned on Bluetooth on your device, select the device "IHIP LIGHT SPEAKER" from the list of available Bluetooth devices.

If required, enter the password '0000' to confirm to pairing. Once paired successfully, you will hear prompt tone from speaker. The blue LED indicator light will stop flashing.

The speaker will remember this device and will pair automatically when the device's Bluetooth is activated and in range. You do not need to pair any previously connected devices again.

PLEASE NOTE:

- Not all devices have the same operation. Please refer to your device's operation manual for further information.
- If the speaker cannot pair up with new device for around 10 minutes, it will turn to standby mode; please turn off the speaker and reboot to pair.

4

LISTENING TO MUSIC:

Once the speaker is paired with your device you can stream music wirelessly through the speaker. Should you encounter any problems while streaming please refer your device's operation manual for further information.

INSTRUCTIONS FOR USE (LINE IN CABLE & TF CARD)

You may also connect any device with a socket using the 3.5mm audio cable (included). Connect this cable to your device and to the Line in port.
You can also insert a TF card (not included) into the TF card slot to play music.

Note: When connect LINE IN cable or TF card, the Bluetooth mode will disconnect.

USING THE LED TOUCH LIGHT

Push the Power ON / OFF button to "ON".
Touch the top of the speaker once to choose the LED light brightness between: Weak, Intermediate and Strong.
Press and hold the top of the speaker for about 2 seconds to switch the LED light to multicolour mode.
When in multicolour mode, press the top of the speaker to change the colour of the LED light. This LED has multicolour modes: Red, Purple, Green, Pink, Blue, Alternative and Dynamic.

5



iHip® is registered in Europe as a trademark of iHip Europe Ltd.

MADE IN CHINA