



NORSK HIGH GLOSS UNDERSINK UNIT

347093

1.0 hr

APPROXIMATE ASSEMBLY TIME 2 PERSON ASSEMBLY

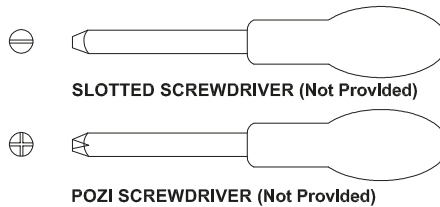


FLOOR AREA
1.5Mx1.5M

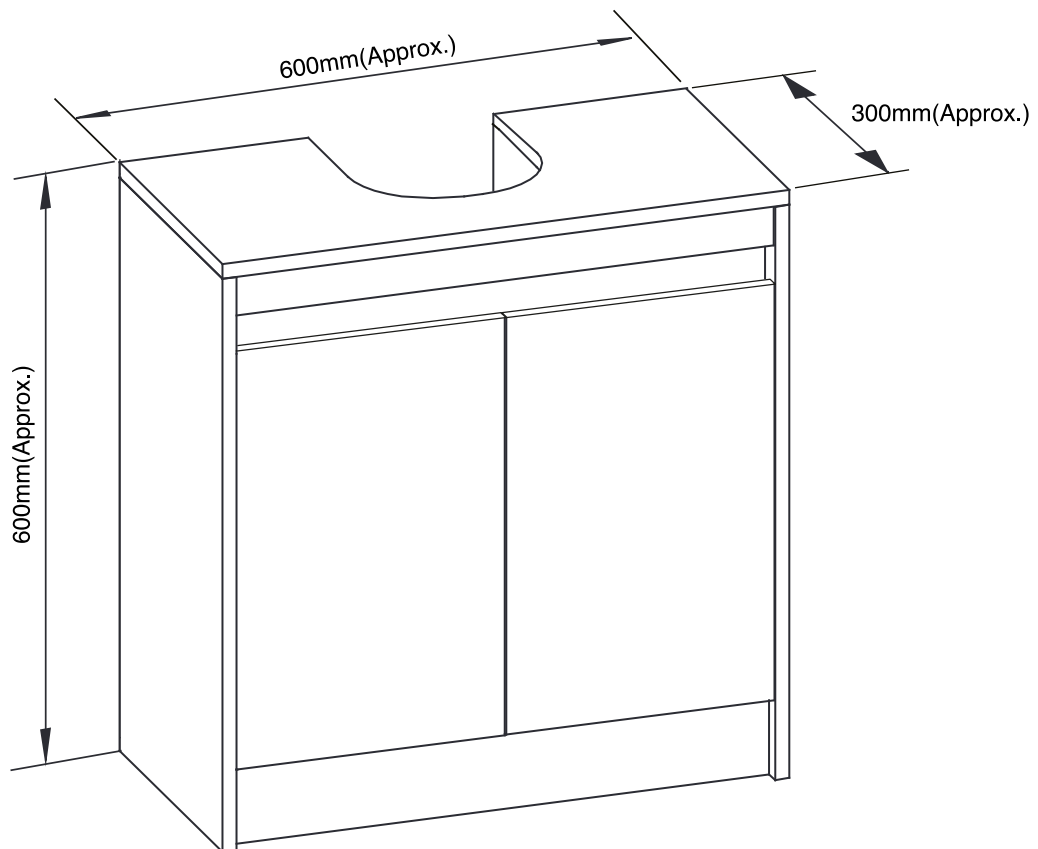


REQUIRED ASSEMBLY SPACE

REQUIRED ASSEMBLY TOOLS



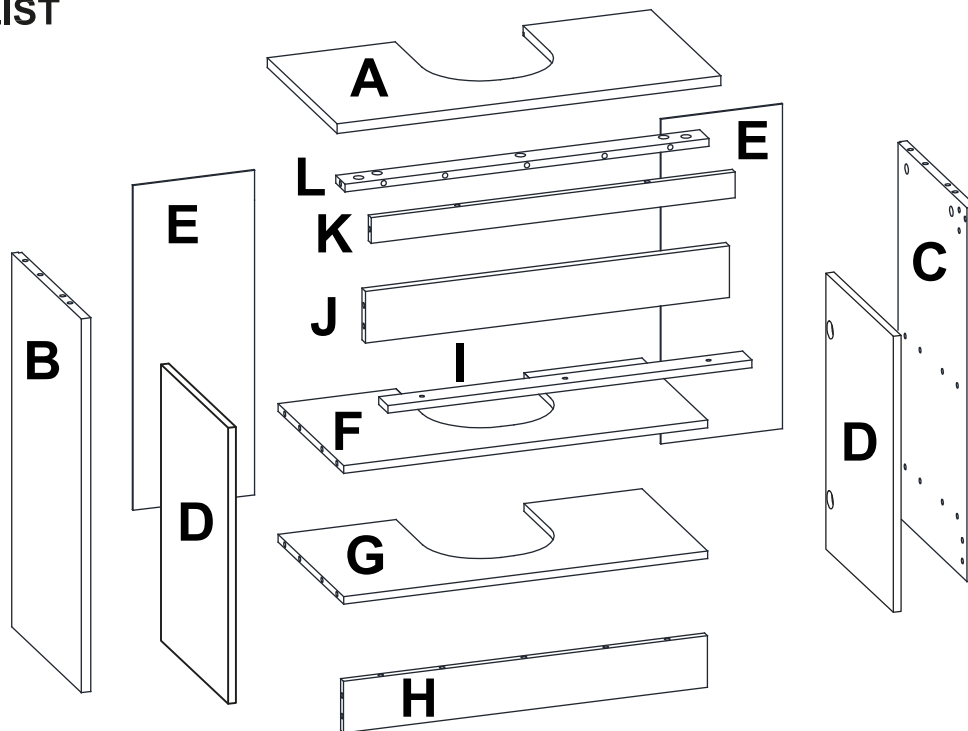
ASSEMBLED DIMENSIONS



MODEL NAME :
NORSK HIGH GLOSS UNDERSINK UNIT
347093

NO.	PART LIST	QTY
(A)	TOP PANEL	1
(B)	LEFT SIDE PANEL	1
(C)	RIGHT SIDE PANEL	1
(D)	DOOR	2
(E)	BACK PANEL	2
(F)	SHELF PANEL	1
(G)	BOTTOM PANEL	1
(H)	BOTTOM SUPPORT	1
(I)	BOTTOM SUPPORT PANEL	1
(J)	FRONT PANEL	1
(K)	SUPPORT PANEL	1
(L)	TOP SUPPORT	1

PARTS LIST



MODEL NAME :
NORSK HIGH GLOSS UNDERSINK UNIT
347093

HARDWARE LIST



24X

① QUICKFIT



24X

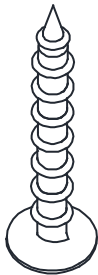
② CAMLOCK



24X

M8X30mm

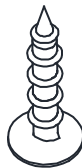
③ WOOD
DOWEL



3X

M4x25mm

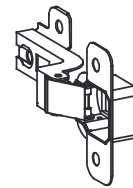
④ SCREW



40X

M3.5x12mm

⑤ SCREW



4X

⑥ HINGE

MODEL NAME :
NORSK HIGH GLOSS UNDERSINK UNIT
347093



Safety Advice and Care Advice

KEEP ALL THE SAFETY ADVICE AND INSTRUCTIONS IN A SAFE PLACE FOR FUTURE REFERENCE!



WARNING! RISK OF LOSS OF LIFE OR ACCIDENT

TO INFANTS AND CHILDREN! Never leave children unsupervised with the packaging materials. Danger of suffocation.



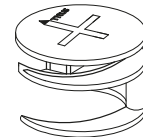
CAUTION! RISK OF INJURY! Make sure that all parts are undamaged and assembled correctly. Improper assembly carries a risk of injury. Damaged parts may affect the safety and function of the product.

- Make sure that this product is standing on a solid, level surface.
- Do not leave children unsupervised! The product is not a climbing frame or a toy!
- Make sure that nobody, especially a child climbs on or leans against the product.
- Distribute weight evenly across the product so that it cannot overturn.
- Do not load more than a total of 20kg onto the product, otherwise there is a risk of injury and/or damage to the product.
- Check that the product is stable before using it.
- Do not lift or move the product when it is loaded.
- Keep away from fire and inflammable objects.
- Wipe clean with damp cloth.
- Power tools are not recommended for this furniture.
- Make sure that all screws and fixings are secure before use.
- Do not place very hot or very cold items on the surface(s) unless adequately thick table mats are used.
- Please periodically check all fittings and re-tighten as necessary.
- Domestic use only.

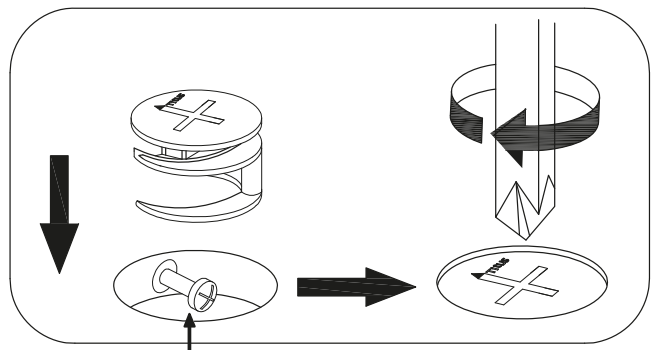
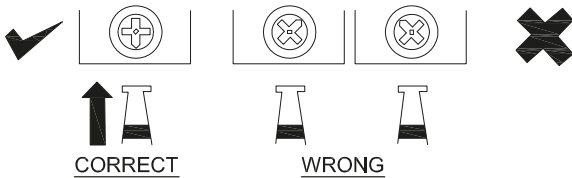
MODEL NAME :
NORSK HIGH GLOSS UNDERSINK UNIT
347093

SPECIAL TIPS FOR FITTING CAM-LOCKS AND QUICKFIT

CAM-LOCK



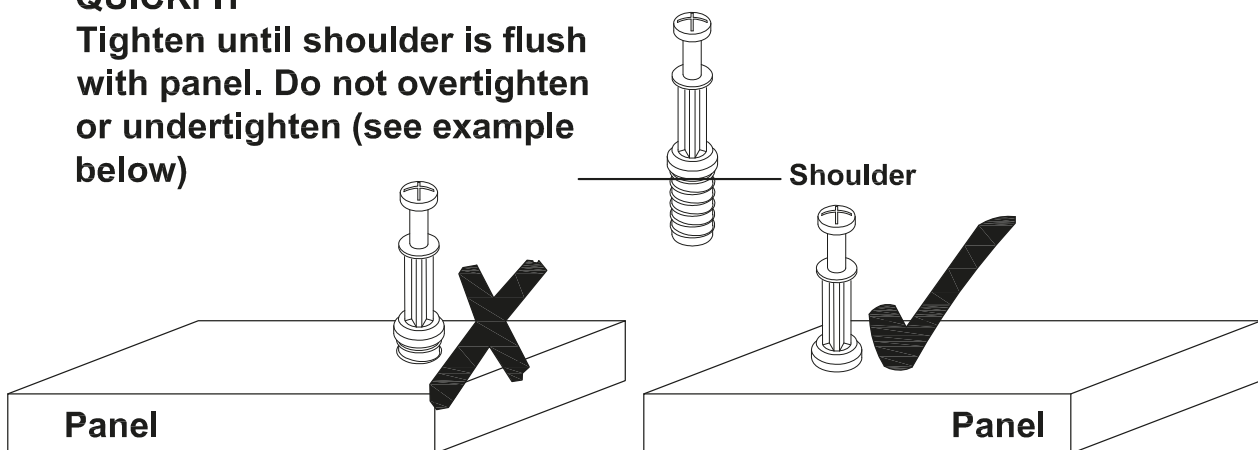
WHEN FITTING CAMLOCK
ENSURE STARTING POSITION IS CORRECT
BEFORE YOU INSERT CONNECTING QUICKFIT
TURN CLOCKWISE UNTIL SECURE



Quickfit head needs to be in centre

QUICKFIT

Tighten until shoulder is flush with panel. Do not overtighten or undertighten (see example below)



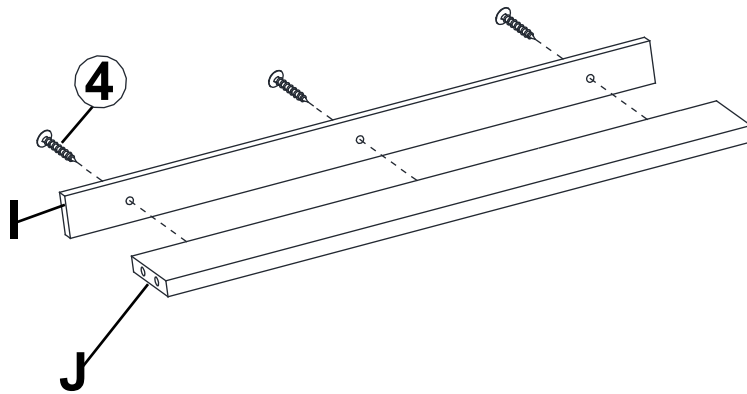
MODEL NAME :
NORSK HIGH GLOSS UNDERSINK UNIT
347093

CAUTION: Please peel off the PVC mask before the assembly.

STEP 1



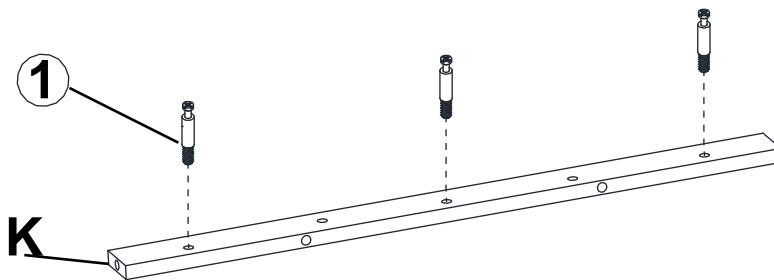
④ x 3



STEP 2

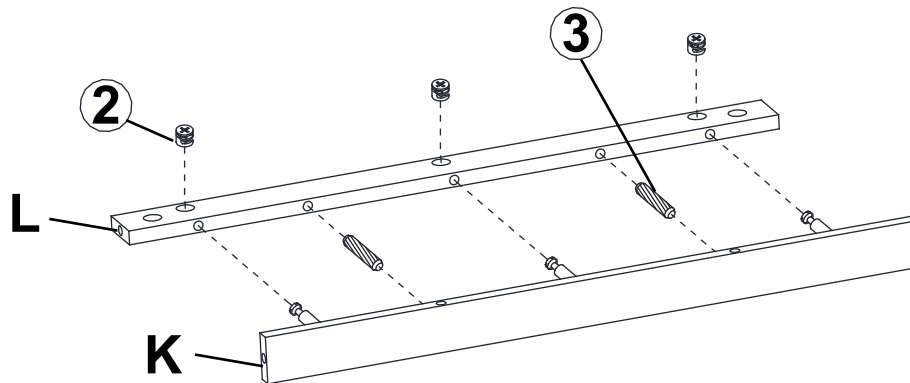


① x 3



MODEL NAME :
NORSK HIGH GLOSS UNDERSINK UNIT
347093

STEP 3

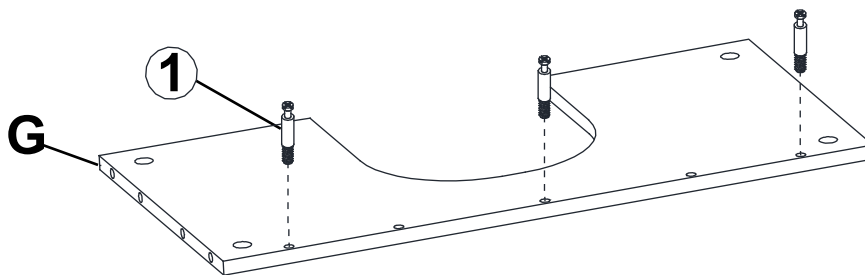


2 x 3



3 x 2

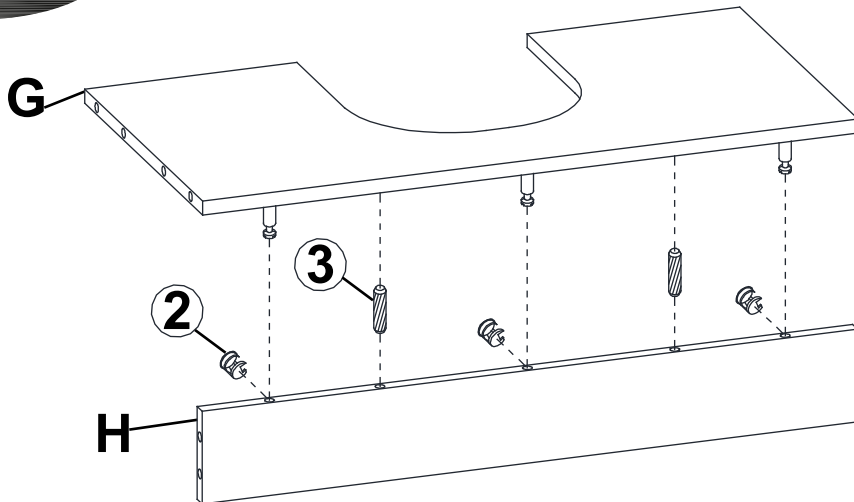
STEP 4



1 x 3

MODEL NAME :
NORSK HIGH GLOSS UNDERSINK UNIT
347093

STEP 5

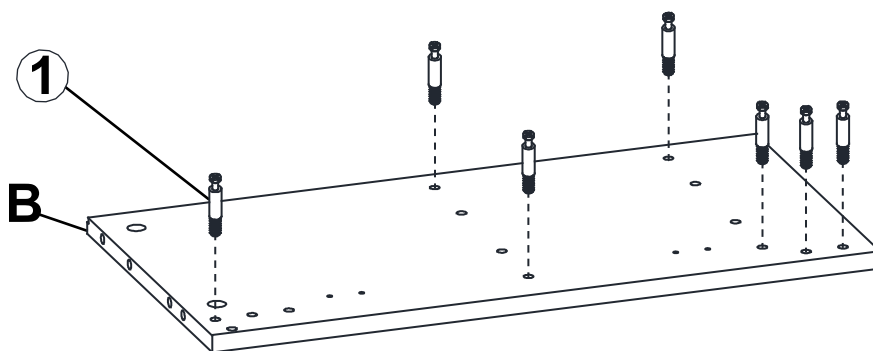


② x 3



③ x 2

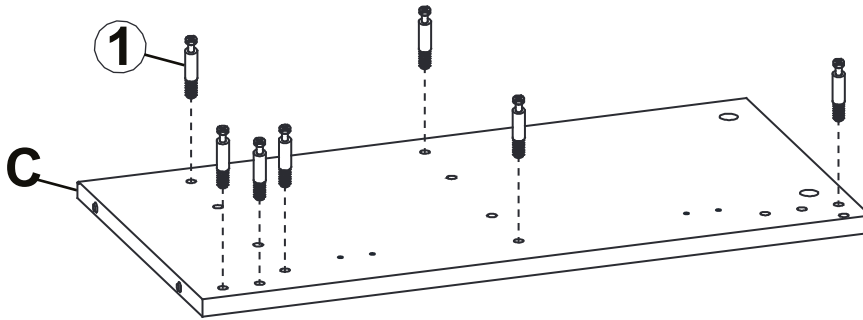
STEP 6



① x 7

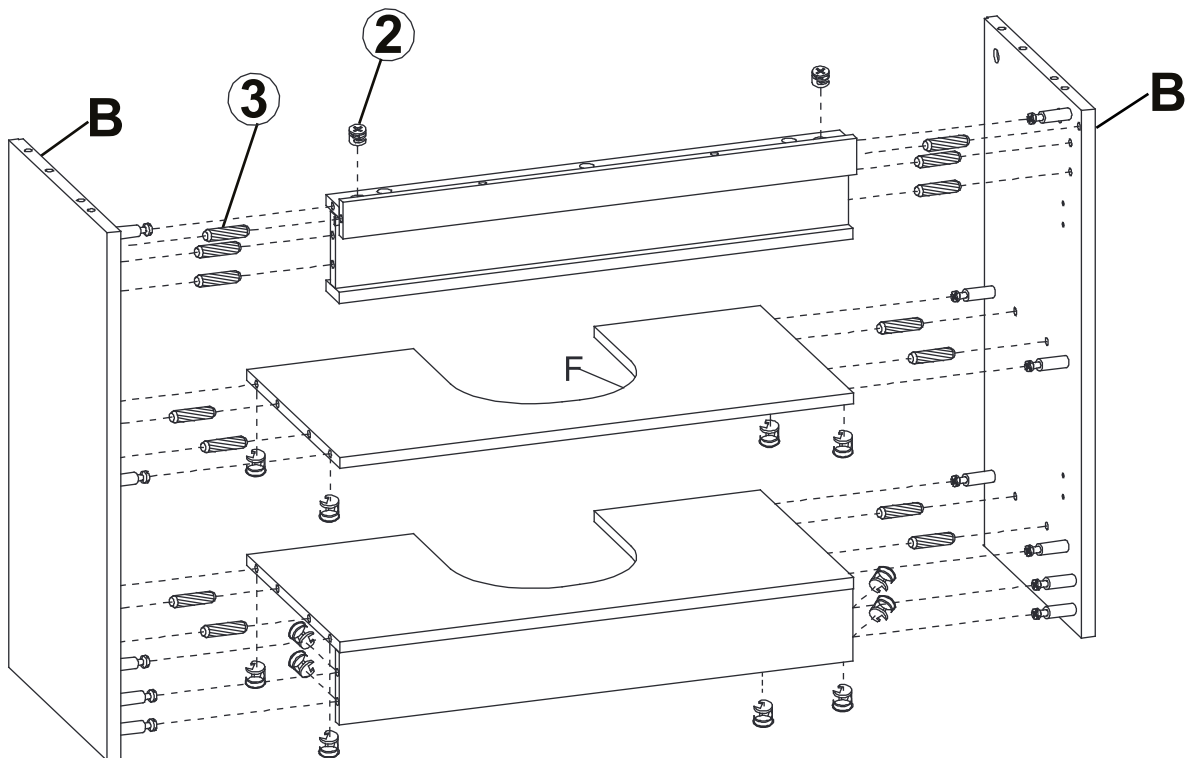
MODEL NAME :
NORSK HIGH GLOSS UNDERSINK UNIT
347093

STEP 7



1 x 7

STEP 8



2 x 14



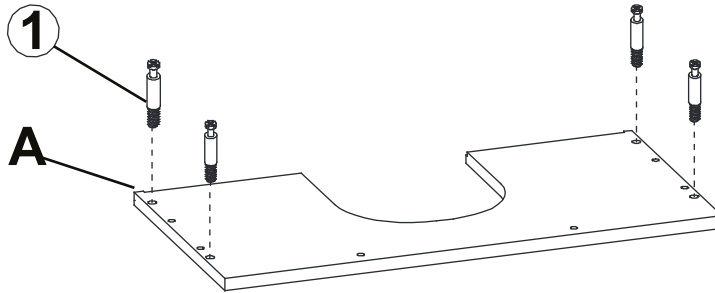
3 x 14

MODEL NAME :
NORSK HIGH GLOSS UNDERSINK UNIT
347093

STEP 9



① x 4



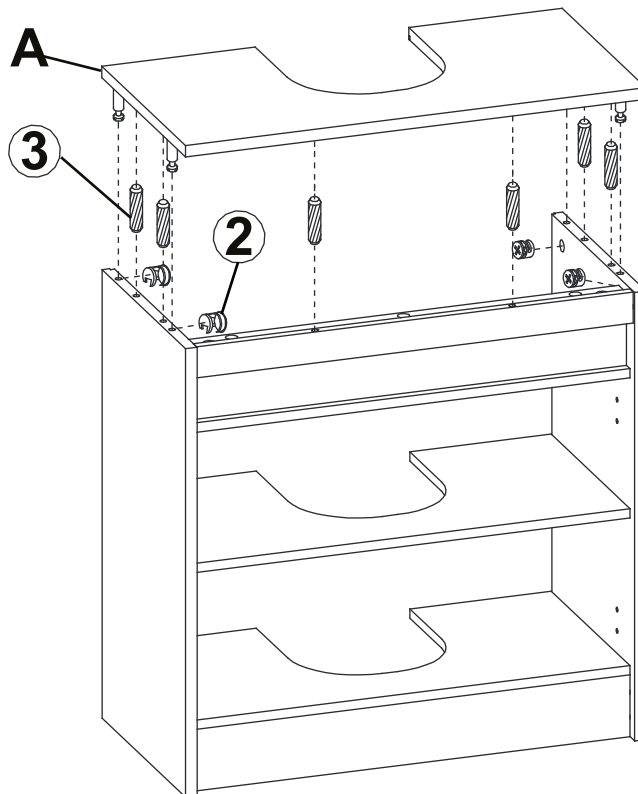
STEP 10



② x 4

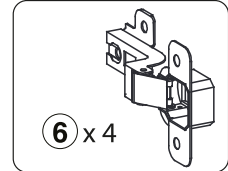
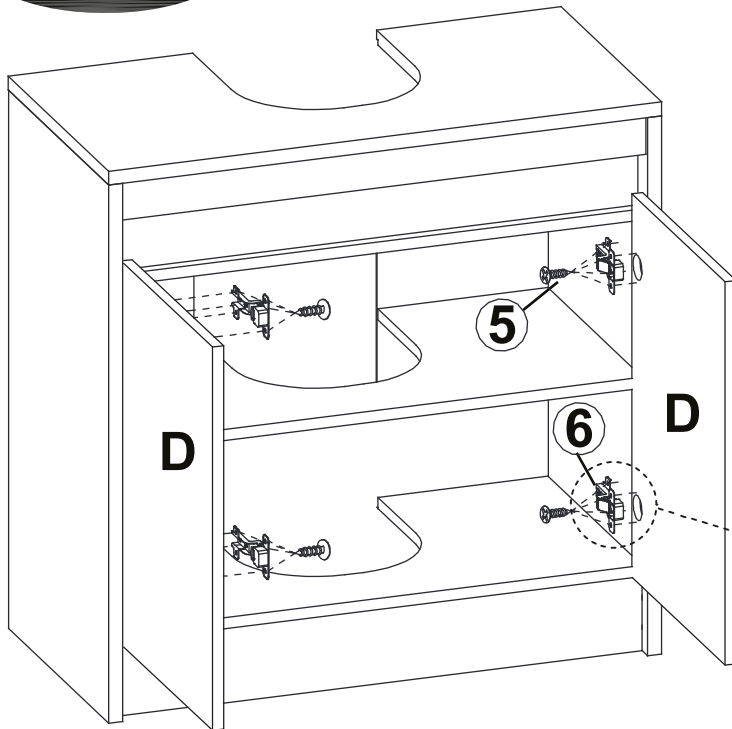


③ x 6



MODEL NAME :
NORSK HIGH GLOSS UNDERSINK UNIT
347093

STEP 11

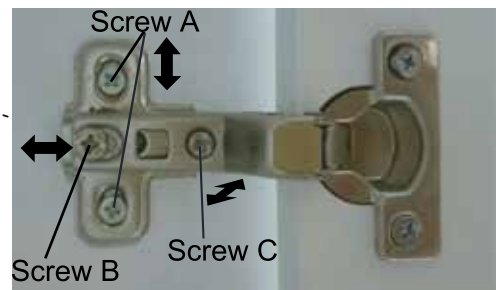


IMPORTANT: IF DOOR NOT ALIGNED

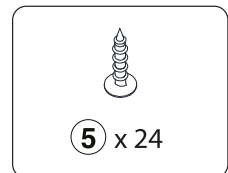
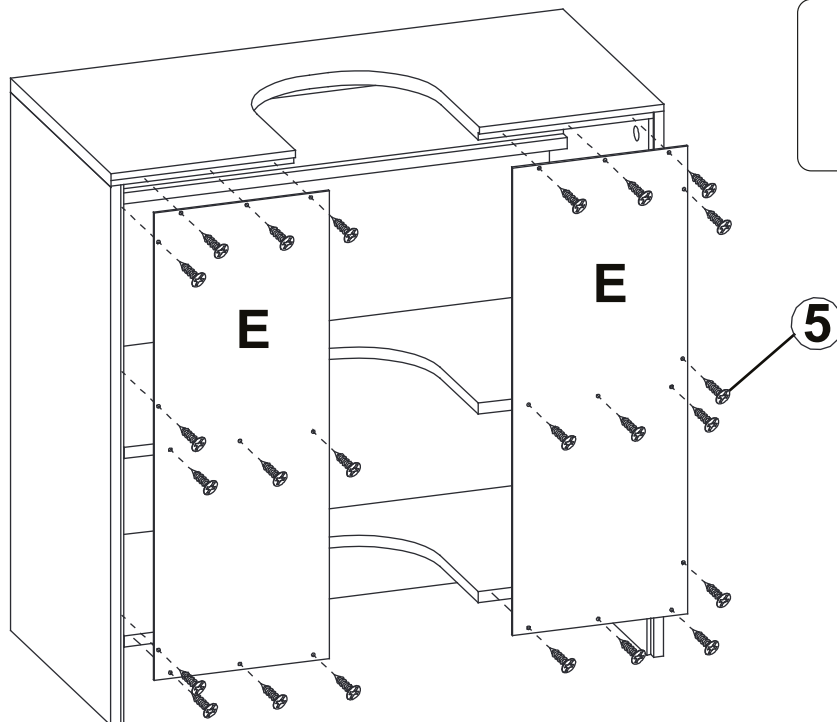
Screw A: You can adjust the doors up and down by releasing screw A.

Screw B: Release Screw B you can move the door forward or back till it is in the right position, then fully screw them.

Screw C: You can adjust the gap between the door and the side board by turning Screw C clockwise or anti-clockwise.

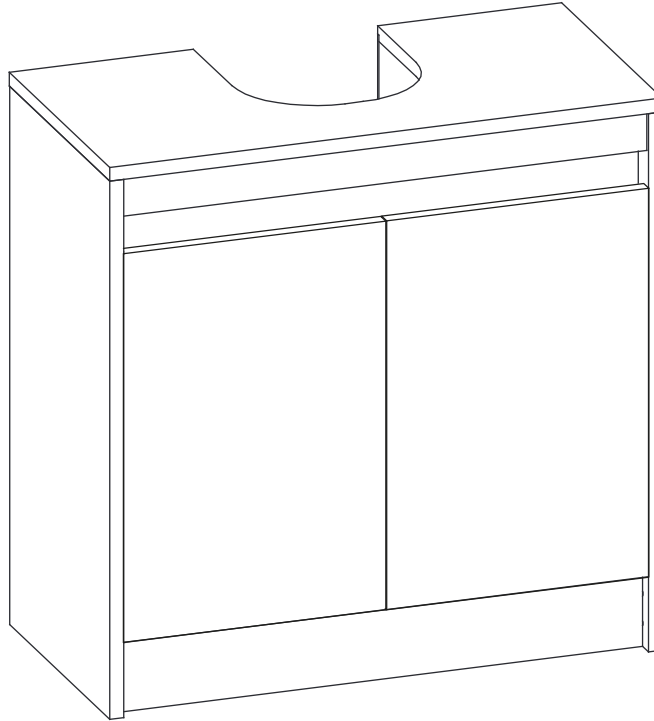


STEP 12



**MODEL NAME :
NORSK HIGH GLOSS UNDERSINK UNIT
347093**

STEP 13



Guarantee

This product is guaranteed for twelve months from the date of original purchase. If any defect should occur due to faulty materials or workmanship, the unit will either be replaced or refunded at our discretion.

You will need to have your receipt or proof of purchase.

The following conditions apply:

- The product must be returned to the retailer with original proof of purchase.
- It is only valid in the UK.
- It does not cover wear and tear, damage, misuse or consumable parts.
- The product must be correctly installed and operated in accordance with the instructions contained in the instruction manual.
- The product must be used solely for domestic purposes.
- The guarantee will be rendered invalid if the product is re-sold or has been damaged by inexpert repair.
- The guarantee is in addition to, and does not diminish your statutory or legal rights.

Manufactured by
B&M Retail Ltd
L24 8RJ, UK

Made in China