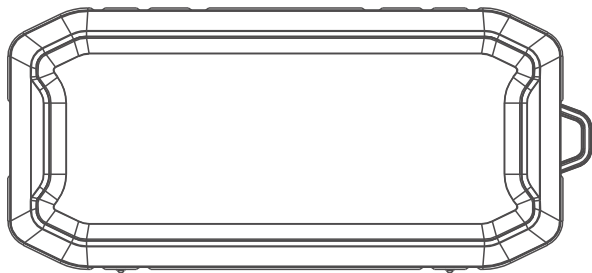


Waterproof Speaker



MODEL: 359732

USER MANUAL



Goodmans

1 Welcome



2 Your Bluetooth Waterproof Speaker

- 2.1 In the Box
- 2.2 Top View
- 2.3 Back View

3 Quick Setup

- 3.1 Charging your Bluetooth Waterproof Speaker
- 3.2 Pairing With a Bluetooth Device
- 3.3 Playing your music
- 3.4 Using the Line-in Function

4 Troubleshooting

5 Technical Specifications

6 EC Declaration

1 Welcome



Thank you for choosing this Goodmans product. We' ve been making eletrical products for the British people for over 90 years. Each of our products has been carefully designed to be great at what they do and this one is no exception. We hope you enjoy your Waterproof speaker.

2 Your Bluetooth Waterproof Speaker

2.1 In The Box

Carefully remove your Waterproof speaker from the box.
Inside the box you will find:

- 1 x Waterproof Speaker
- 1 x Micro USB charging cable
- 1 x Line in cable
- Quick Start Guide
- Instruction Manual
- Guarantee & Safety Leaflet

2.2 Top View

A Power ON/OFF button

Press and hold the button for 3 seconds to switch the power ON or OFF.
When receiving a call, hold the button to refuse a call.
Press the button once to answer / end a call.
Press the button twice to redial the last call.

B Mode Button

Press once to switch Bluetooth / Line-in mode.

C Play / Pause Button

Press the button once to play / pause your music.

D Increase volume / Next track

Press the button to switch to the next track.
Hold the button to increase the volume.

E Decrease volume/ Previous track

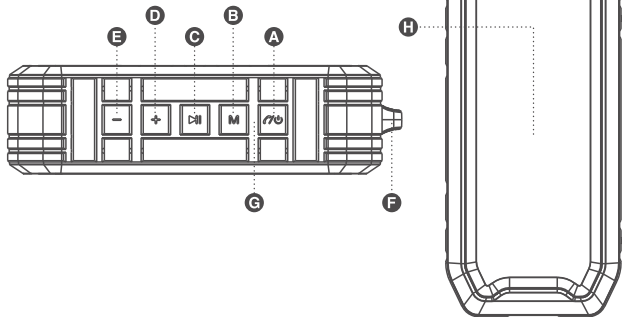
Press the button to switch to the previous track.
Hold the button to decrease the volume.

F Hanging hole

Hanging bracket.

G Indicator light

H Speaker

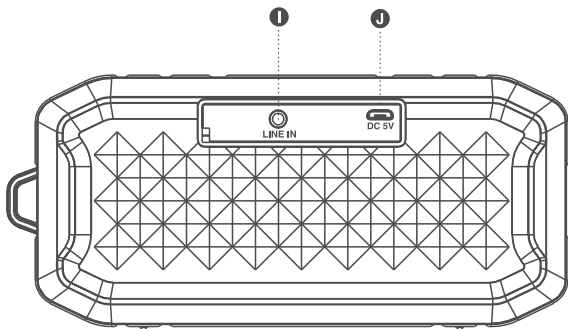


2.3 Back View

I LINE IN connection

Connect your speaker using a LINE IN connection.

J Micro USB charging socket



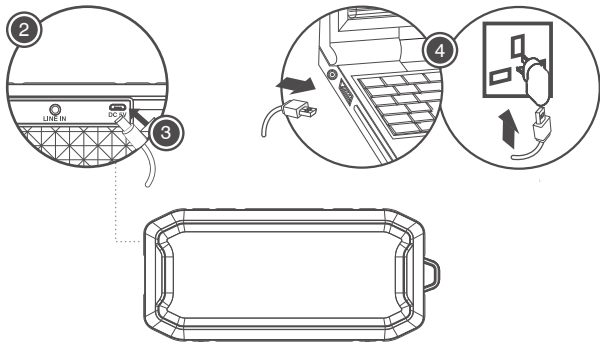
3 Quick Setup



3.1 Charging your Bluetooth Waterproof Speaker

1. Your waterproof speaker has a built in rechargeable battery so it can be used anywhere indoors or outdoors. Before using it for the first time please fully charge the battery.
2. To charge, open the silicone control panel cover on the back side of your waterproof speaker.
3. Connect the USB cable provided to the USB port on your waterproof speaker.
4. Connect the other end of the USB cable to a USB port on your computer, or a 5V 1A USB wall charger. A wall charger is not included. When your waterproof speaker is charging the LED indicator will be RED.
5. When the waterproof speaker is fully charged the RED LED indicator will turn off.
6. When charging is completed, remove the USB cable and make sure that the silicon cover is closed.

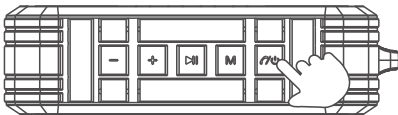
Note: When the battery is getting low, the low battery warning alert will sound, when you hear this, please re-charge the battery.





3.2 Pairing with a Bluetooth Device

1. Press the ON/OFF button for 3 seconds until you hear prompt tone, the LED indicator will show a blue flashing light.



2. Enable Bluetooth on your Smartphone and search for available Bluetooth connections. Select "GOODMANS WATERPROOF SPKR" from the list of devices.
3. When successfully paired, you will hear prompt tone.
4. Once you have paired the waterproof speaker with a smartphone or Bluetooth device, the waterproof speaker will remember this device and will pair automatically when the device's Bluetooth is activated and in range, you do not need to re-pair any previously connected devices.
5. The Waterproof Speaker will attempt to automatically connect to the last device it was paired with if Bluetooth mode is turned on. If you want to pair it with a new device, please turn off your last Bluetooth device and then use your new device to search and select the pairing name.

3.3 Playing Your Music

When your Smartphone or Bluetooth device is paired to the waterproof Speaker, use your music app to playback your music.

3.4 Using the Line-in Function

1. If your device doesn't have Bluetooth, you can use the Line-in connection.
2. Open the silicone control panel cover on the back side of your waterproof speaker. When using the Line-in function, the waterproof speaker will be not waterproof.
3. Connect the Line-in cable to the waterproof speaker and connect the other end to your device.
4. Select your music on your device and Play.

Note: When a Line In cable is connected your waterproof speaker will automatically disconnect from your Bluetooth devices.



Problem	What to do
I can't pair the waterproof speaker with my Bluetooth devices.	Turn On the waterproof speaker. Make sure that the Line-in cable is not connected. Make sure that the indicator LED is flashing blue. If it is not flashing blue, it is already paired to another device. Un-pair that device and try again.
I can't hear my music.	Turn the waterproof speaker ON. Using the volume control on your device to turn the volume up.
I can't turn ON my waterproof speaker.	Make sure that the waterproof speaker is fully charged. Press the ON/OFF button for 3 seconds to turn it ON.
My device keeps disconnecting from the waterproof speaker.	Make sure the waterproof speaker is fully charged. If the Line-in cable is connected, removed it. Make sure that your device is not further than 10 meters away from the waterproof speaker.

5 Technical Specifications



Model Number	359732
Bluetooth Specification	JL 5.0
Maximum Bluetooth Operating Distance	10 meters
Built-in Battery	3.7V / 1800mAh
Power Input	DC 5V / 1A
Speaker Power	1 x 5W
Waterproof Grade	IPX7
Product Size	167.9mm(H) x 75mm(W) x 46mm(L)

6 EC Declaration

This product is intended for use within UK

This appliance complies with the below listed EU directives

2014/53/EU Radio Equipment Directive

2011/65/EU Restriction of Hazardous Substances Directive

2013/56/EU Waste Batteries & Accumulators

The complete declaration of conformity is available upon request for relevant enquiries.

 **Bluetooth**® is a trademark on a registered trademark of Bluetooth SIG Inc.

Information on Waste Disposal for Consumers of Electrical & Electronic Equipment



This mark on a product and/or accompanying documents indicates that when it is to be disposed of, it must be treated as Waste Electrical & Electronic Equipment (WEEE). Any WEEE marked waste products must not be mixed with general household waste, but kept separate for the treatment, recovery and

recycling of the materials used. For proper treatment, recovery and recycling; please take all WEEE marked waste to your Local Authority Civic waste site, where it will be accepted free of charge. If all consumers dispose of Waste Electrical & Electronic Equipment correctly, they will be helping to save valuable resources and preventing any potential negative effects upon human health and the environment, of any hazardous materials that the waste may contain.



Made in China

Imported by B&M Retail Ltd., Dakota Drive, Liverpool, L24 8RJ, UK

Goodmans