

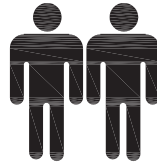


**LOKKEN 3 DRAWER BEDSIDE**  
**ITEM CODE: 354871/354876/369086**  
**Assembly Instruction**

**1.0hr**

**APPROXIMATE ASSEMBLY TIME**

**2 PEOPLE ASSEMBLY**

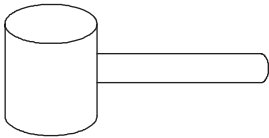


FLOOR AREA  
1Mx1M

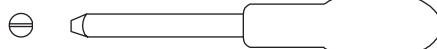


**REQUIRED ASSEMBLY SPACE**

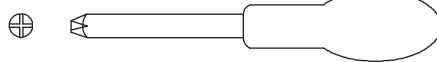
**REQUIRED ASSEMBLY TOOLS**



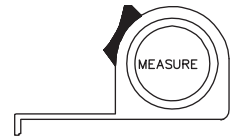
SOFT RUBBER HAMMER(Not Provided)



SLOTTED SCREWDRIVER(Not Provided)

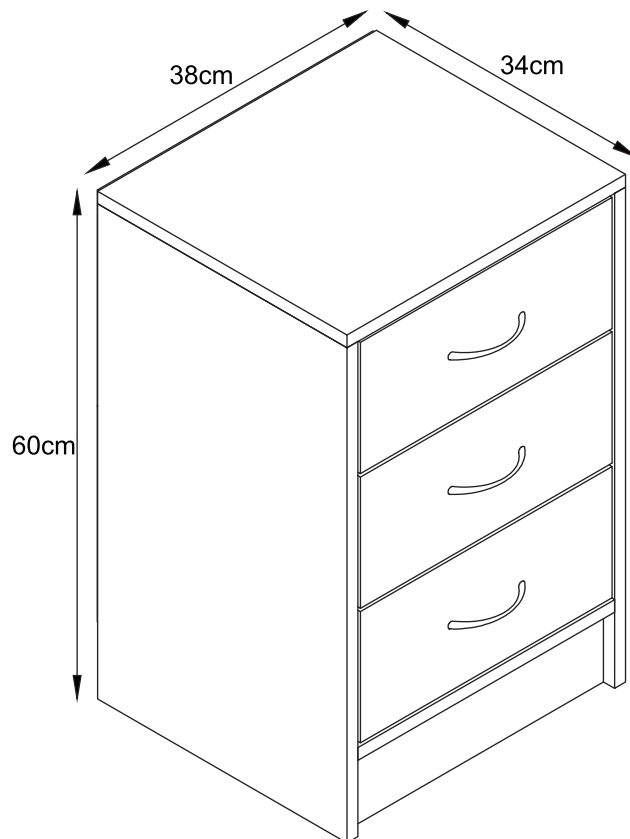


POZI SCREWDRIVER(Not Provided)



MEASURING TAPE (Not Provided)

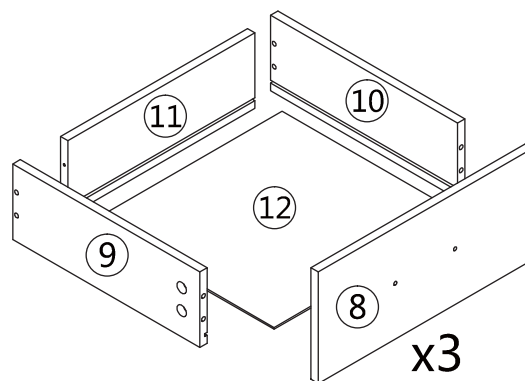
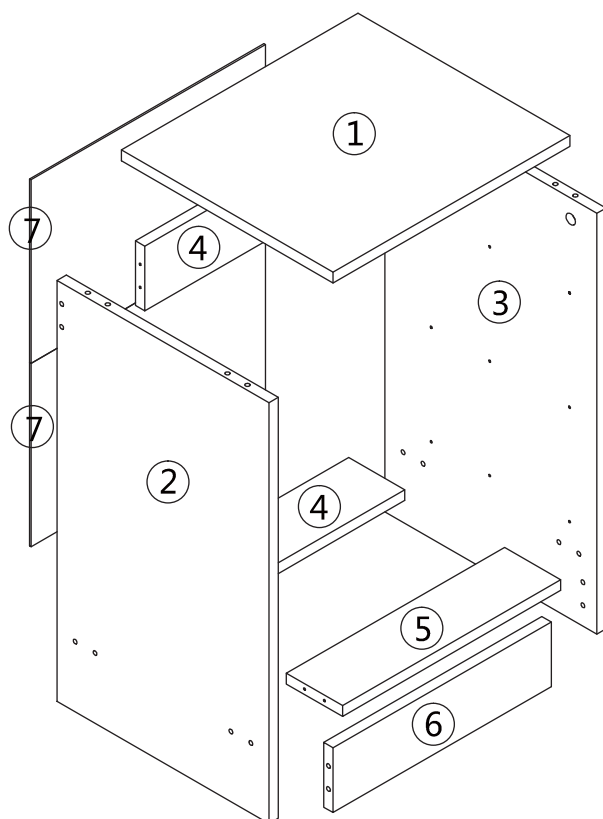
**ASSEMBLED DIMENSIONS**



**MODEL NAME:  
LOKKEN 3 DRAWER BEDSIDE  
354871/354876/369086**



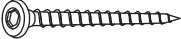




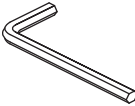

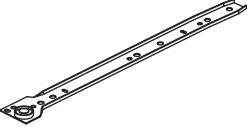
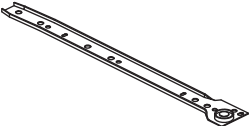

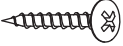
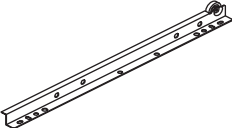
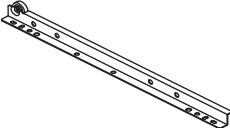
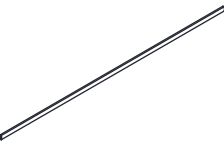
<b>NO.</b>	<b>PART LIST</b>	<b>QTY</b>	<b>NO.</b>	<b>PART LIST</b>	<b>QTY</b>
(1)	TOP PANEL	1	(7)	BACK PANEL	2
(2)	LEFT SIDE PANEL	1	(8)	DRAWER FRONT PANEL	3
(3)	RIGHT SIDE PANEL	1	(9)	DRAWER LEFT SIDE PANEL	3
(4)	BAR PANEL	2	(10)	DRAWER RIGHT SIDE PANEL	3
(5)	BAR PANEL	1	(11)	DRAWER BACK PANEL	3
(6)	BAR PANEL	1	(12)	DRAWER BASE	3

**PART LIST**



**MODEL NAME:  
LOKKEN 3 DRAWER BEDSIDE  
354871/354876/369086**

**HARDWARE LIST**

<b>A</b>	<b>x16</b>	<b>B</b>	<b>x16</b>	<b>C</b>	<b>x12</b>	<b>D</b>	<b>x8</b>	<b>E</b>	<b>x36</b>
									
Dia.6x35mm		Dia.15x10mm		Dia.5x40mm		Dia.6x30mm		Dia.3x12mm	
PIN		CAM LOCK		SCREW		WOODEN DOWEL		SCREW	
<b>F</b>	<b>x12</b>	<b>G</b>	<b>x12</b>	<b>H</b>	<b>x1</b>	<b>I</b>	<b>x14</b>	<b>J</b>	<b>x3</b>
									
		Dia.4x35mm							
CAP STICKER		SCREW		ALLEN KEY		BACK PANEL NAIL		INNER DRAWER RUNNER	
<b>K</b>	<b>x3</b>	<b>L</b>	<b>x3</b>	<b>M</b>	<b>x6</b>	<b>N</b>	<b>x3</b>	<b>O</b>	<b>x3</b>
									
				Dia.5x20mm					
INNER DRAWER RUNNER		HANDLE		SCREW		OUTER DRAWER RUNNER		OUTER DRAWER RUNNER	
<b>P</b>	<b>x1</b>								
									
PLASTIC WEDGE									

**MODEL NAME:  
LOKKEN 3 DRAWER BEDSIDE  
354871/354876/369086**



**Safety Advice and Care Advice**

KEEP ALL THE SAFETY ADVICE AND INSTRUCTIONS IN A SAFE PLACE FOR FUTURE REFERENCE!

**⚠ WARNING! RISK OF LOSS OF LIFE OR ACCIDENT TO INFANTS AND CHILDREN!** Never leave children unsupervised with the packaging materials. Danger of suffocation.

**⚠ CAUTION! RISK OF INJURY!** Make sure that all parts are undamaged and assembled correctly. Improper assembly carries a risk of injury. Damaged parts may affect the safety and function of the product.

- Make sure that this product is standing on a solid, level surface.

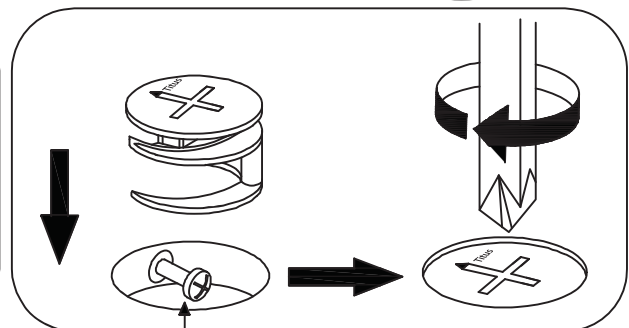
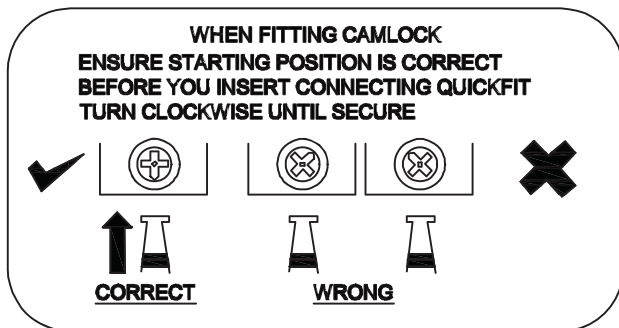
**⚠ CAUTION!** Do not leave children unsupervised! The product is not a climbing frame or a toy! Make sure that nobody, especially a child, climbs on or leans against the product.

- Distribute weight evenly across the product so that it cannot overturn.
- Do not load more than a total of 15kg onto the product, otherwise there is a risk of injury and/or damage to the product.
- Check that the product is stable before using it.
- Do not lift or move the product when it is loaded.
- Keep away from fire and inflammable objects.
- **Wipe clean with a damp cloth.**
- Make sure that all screws and fixings are secure before use.
- Do not place very hot or very cold items on the surface(s) unless adequately thick table mats are used.
- Please periodically check all fittings and re-tighten as necessary.
- Domestic use only.

**MODEL NAME:  
LOKKEN 3 DRAWER BEDSIDE  
354871/354876/369086**

**SPECIAL TIPS FOR FITTING CAM-LOCKS  
AND QUICKFIT**

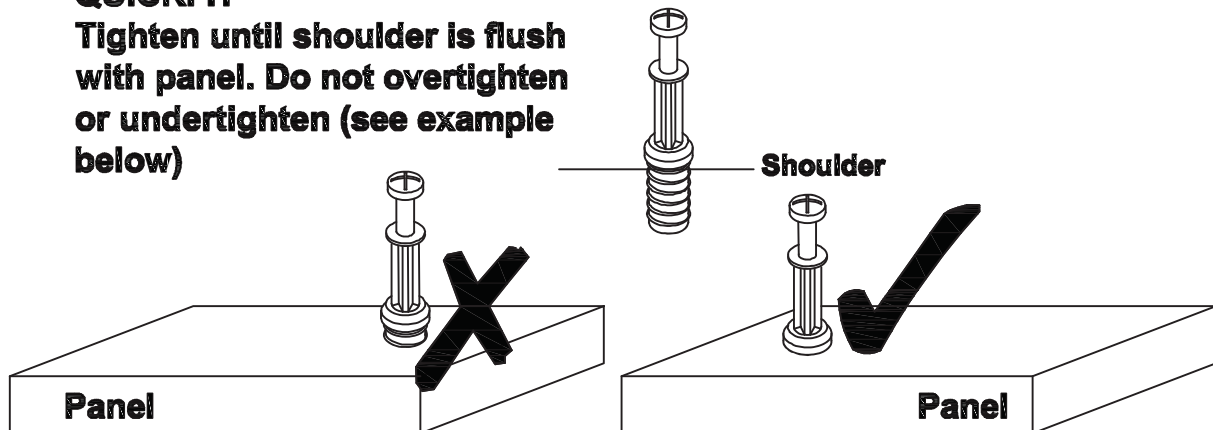
**CAM-LOCK**



**Quickfit head needs to be in centre**

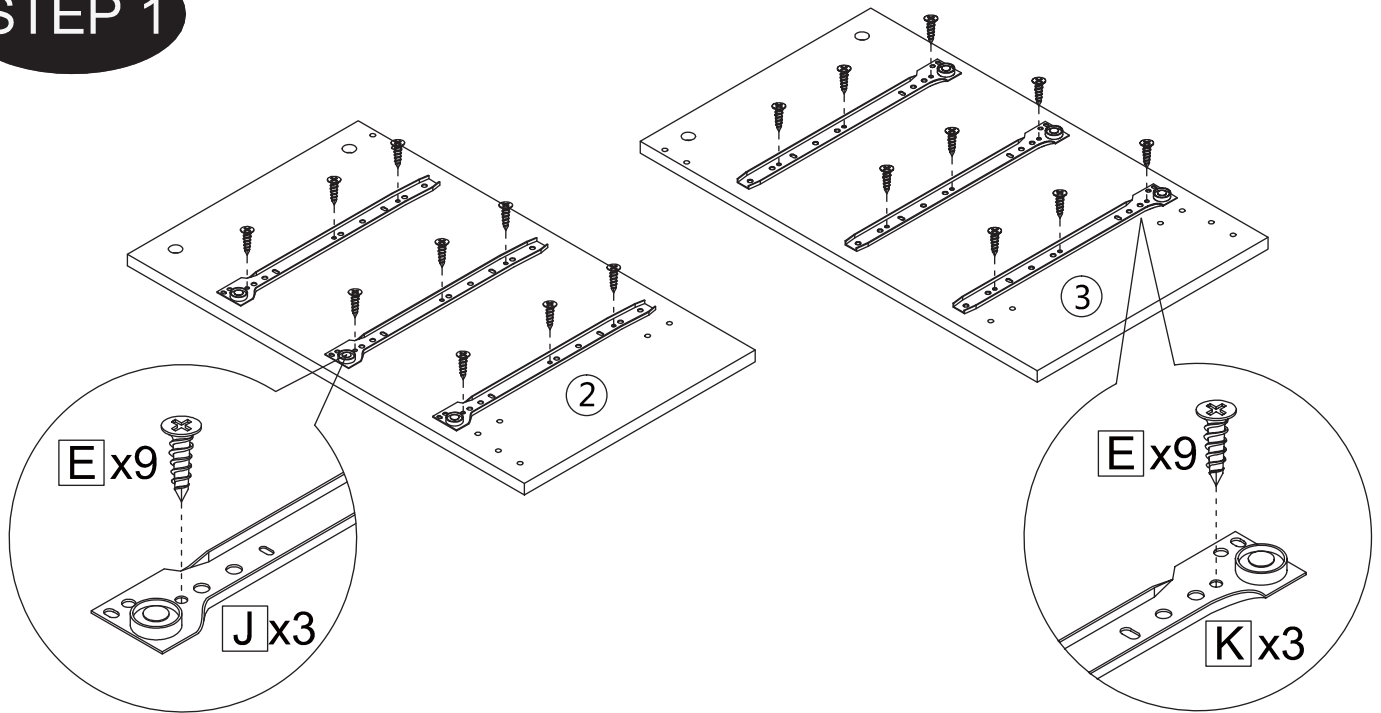
**QUICKFIT**

**Tighten until shoulder is flush with panel. Do not overtighten or undertighten (see example below)**

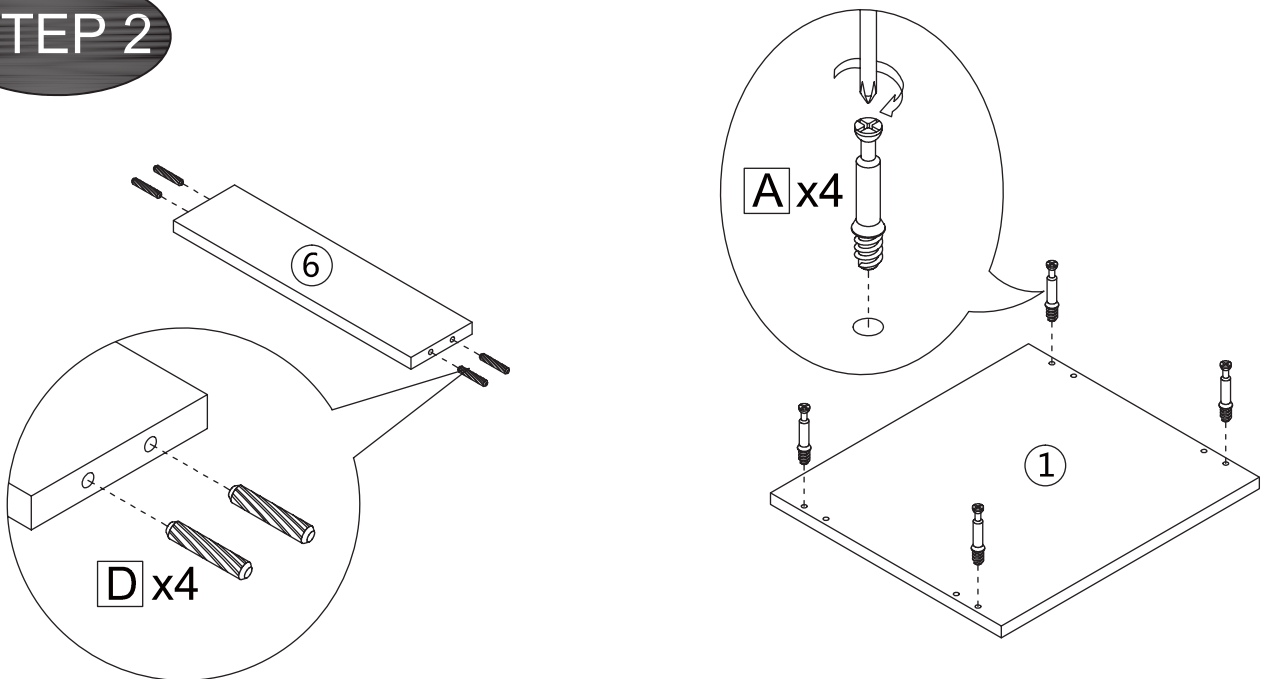


**MODEL NAME:  
LOKKEN 3 DRAWER BEDSIDE  
354871/354876/369086**

**STEP 1**

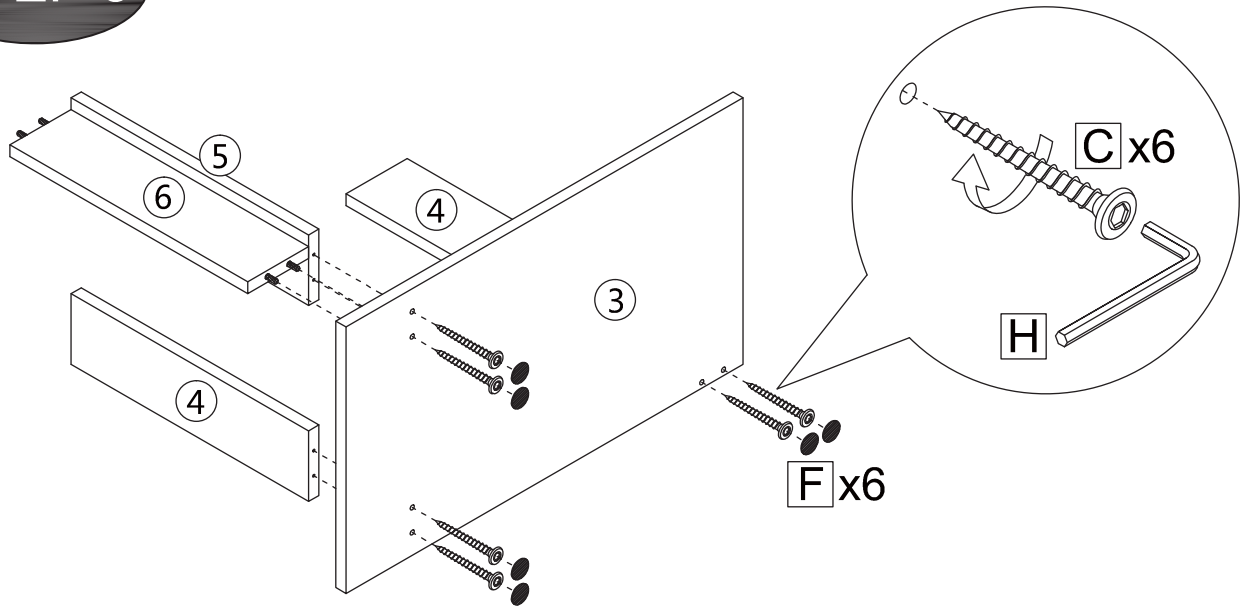


**STEP 2**

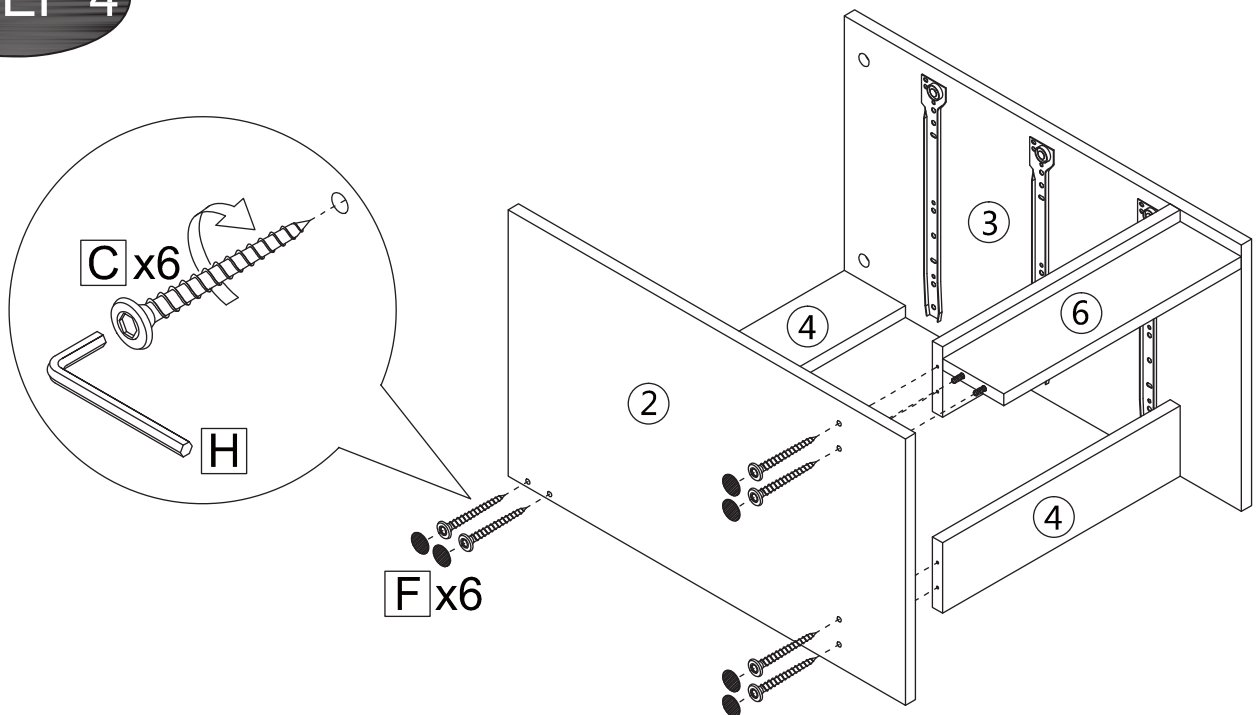


**MODEL NAME:  
LOKKEN 3 DRAWER BEDSIDE  
354871/354876/369086**

**STEP 3**

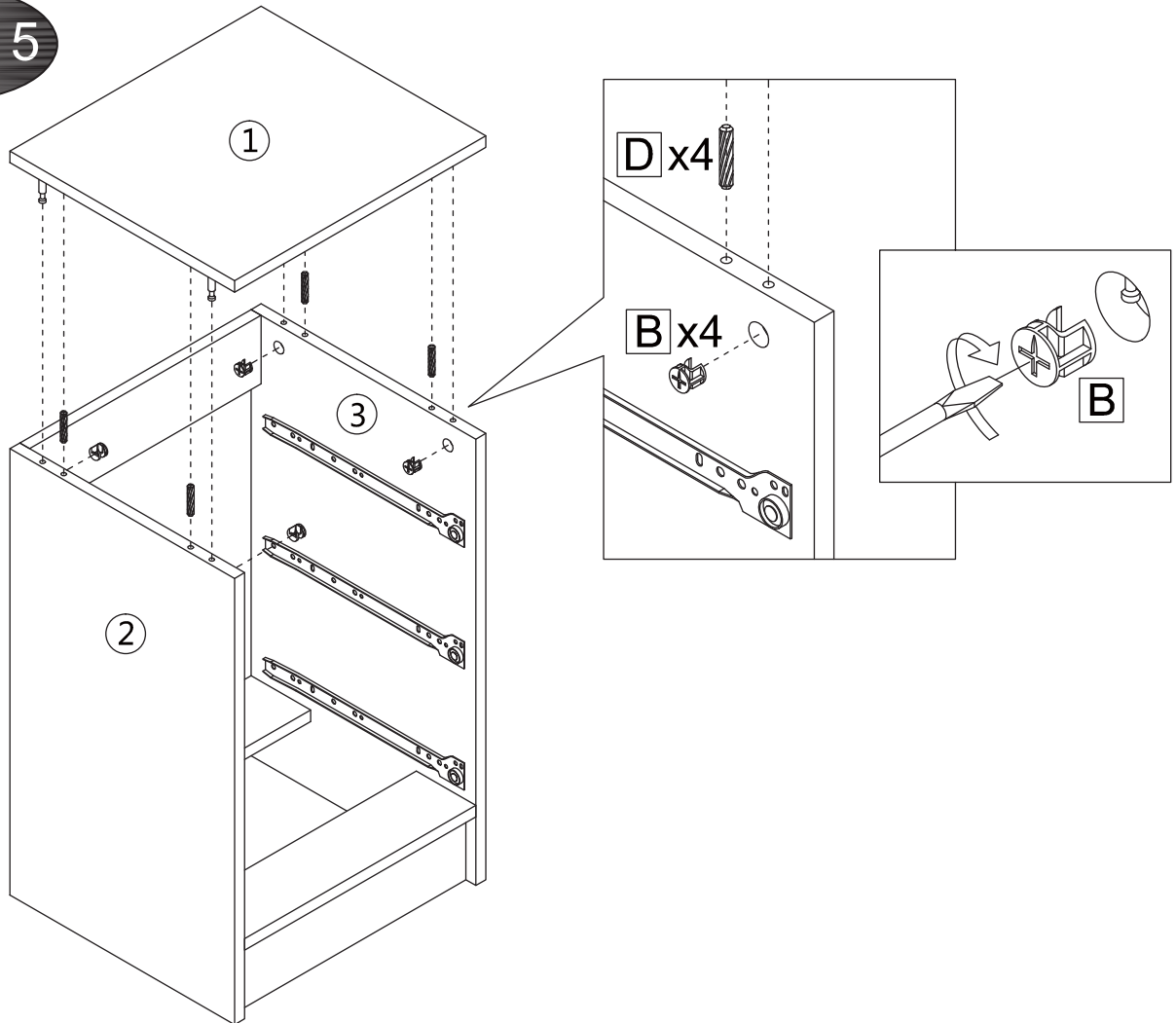


**STEP 4**

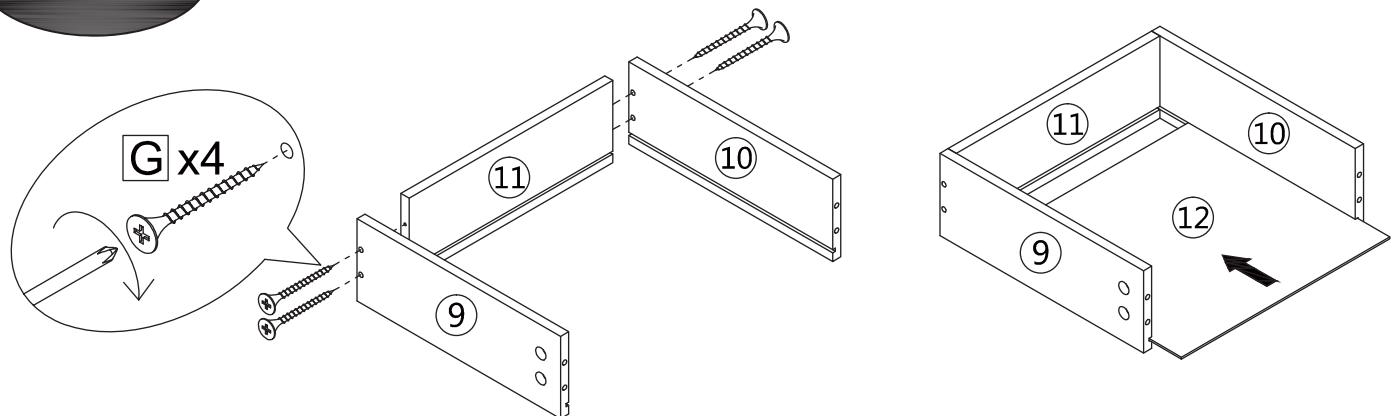


**MODEL NAME:  
LOKKEN 3 DRAWER BEDSIDE  
354871/354876/369086**

**STEP 5**



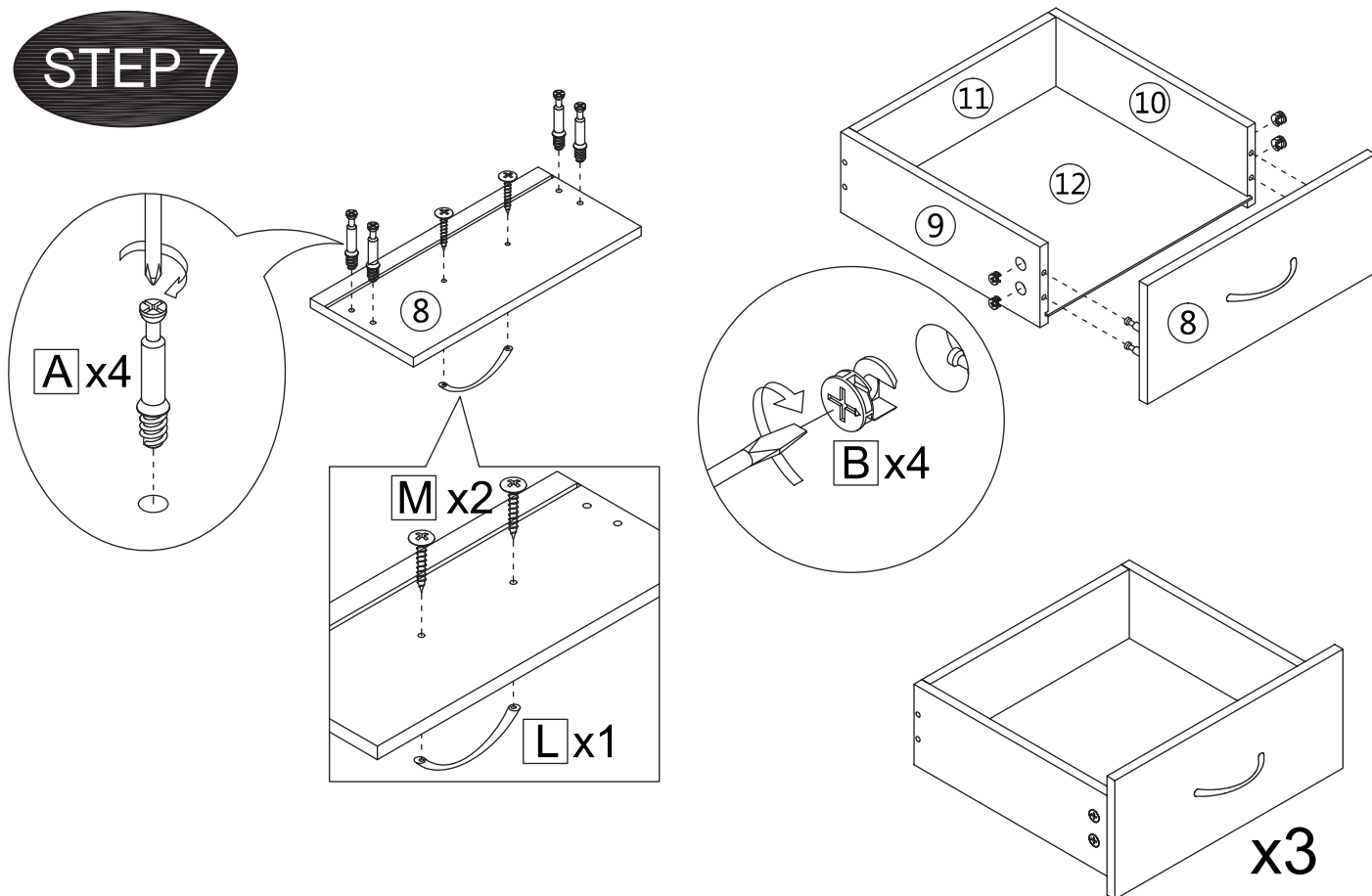
**STEP 6**



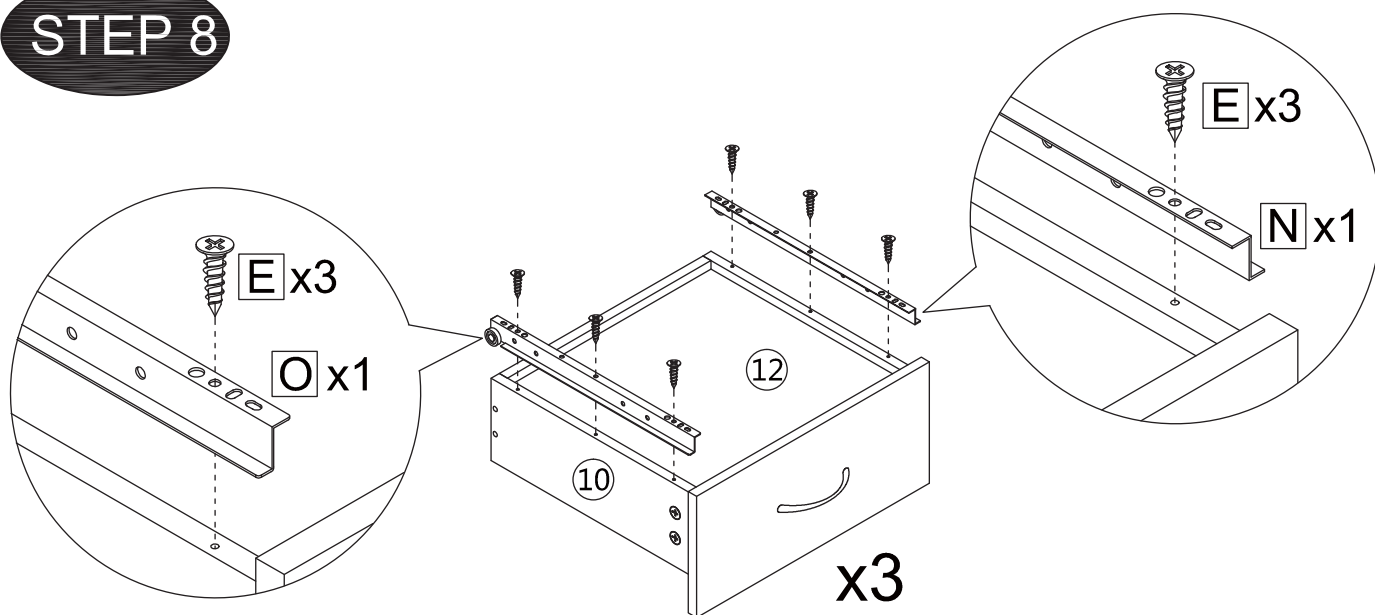


**MODEL NAME:  
LOKKEN 3 DRAWER BEDSIDE  
354871/354876/369086**

**STEP 7**

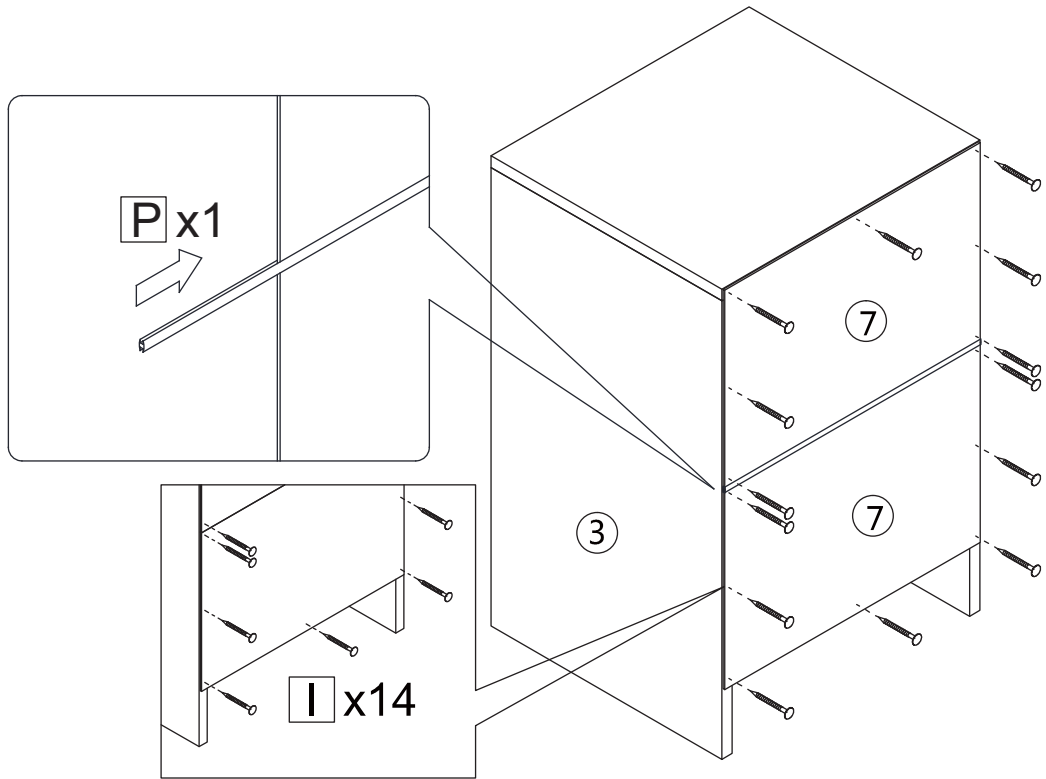


**STEP 8**

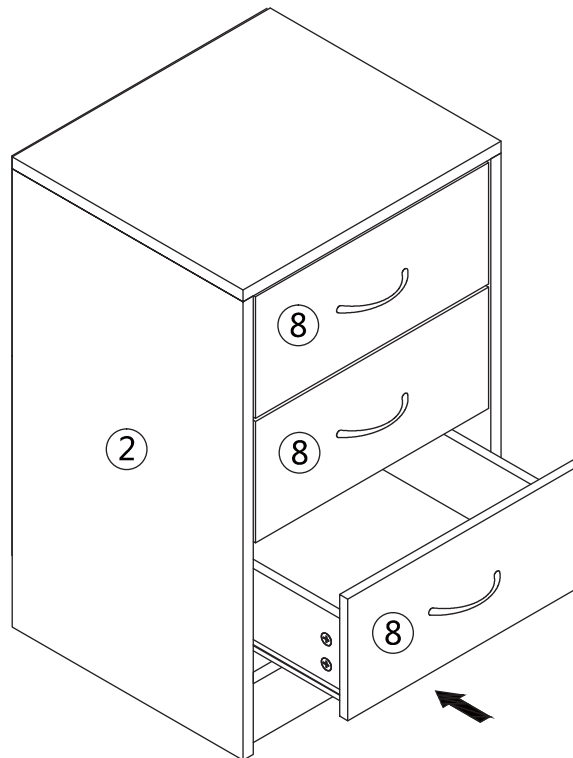


**MODEL NAME:  
LOKKEN 3 DRAWER BEDSIDE  
354871/354876/369086**

**STEP 9**



**STEP 10**





---

## Guarantee

This product is guaranteed for twelve months from the date of original purchase. If any defect should occur due to faulty materials or workmanship, the unit will either be replaced or refunded at our discretion.

You will need to have your receipt or proof of purchase.

**The following conditions apply:**

- The product must be returned to the retailer with original proof of purchase.
- It is only valid in the UK.
- It does not cover wear and tear, damage, misuse or consumable parts.
- The product must be correctly installed and operated in accordance with the instructions contained in the instruction manual.
- The product must be used solely for domestic purposes.
- The guarantee will be rendered invalid if the product is re-sold or has been damaged by inexpert repair.
- The guarantee is in addition to, and does not diminish your statutory or legal rights.

Manufactured for  
B&M Retail Ltd  
L24 8RJ, UK

Made in China