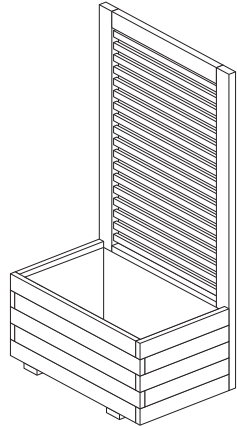


# Aston Rectangular Planter With Trellis

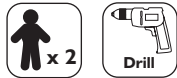
## English SS57 I

### Assembly Instructions



#### Before assembly

- We recommend that time is taken to read the instructions before starting assembly, then follow the easy step by step guide. The instruction sheet is only a guide to the assembly. Certain items may not be shown to scale.
- Check all components prior to assembly
- Drill pilot holes for every screw.
- This product should be assembled by two people
- Never attempt to erect the assembly in high winds.

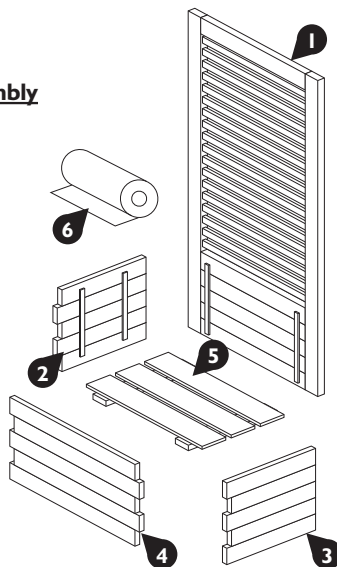


#### Recommended tools for assembly

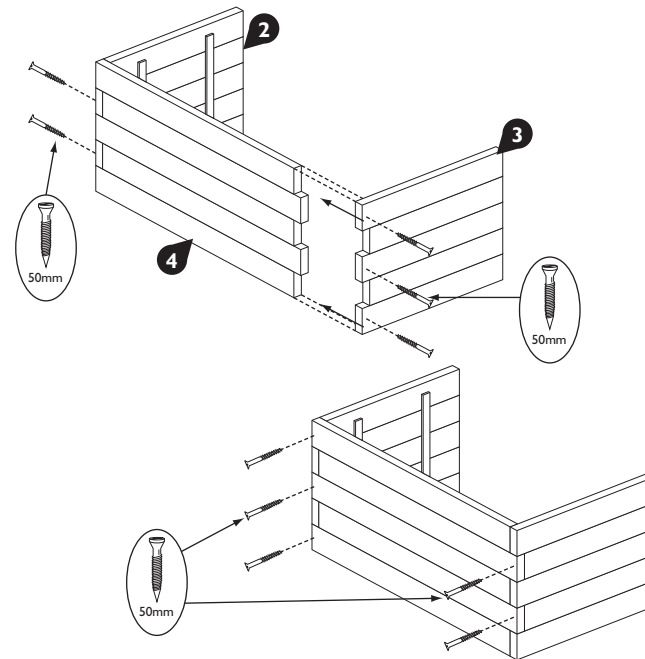
- Power drill/screwdriver
- Drill with 3mm diameter drill bit
- Crosshead screwdriver bit

No.	Components	Qty.
1	Back lattice panel	1
2	Left side panel	1
3	Right side panel	1
4	Front panel	1
5	Floor	1
6	Liner material roll	1

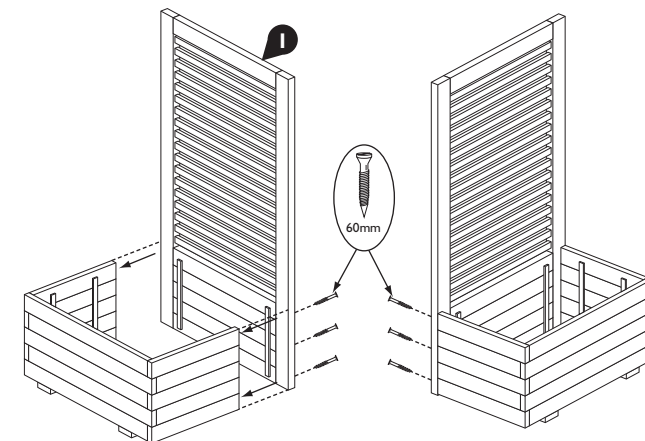
No.	Fixings	Qty.
7	50mm screw	14
8	60mm screw	6



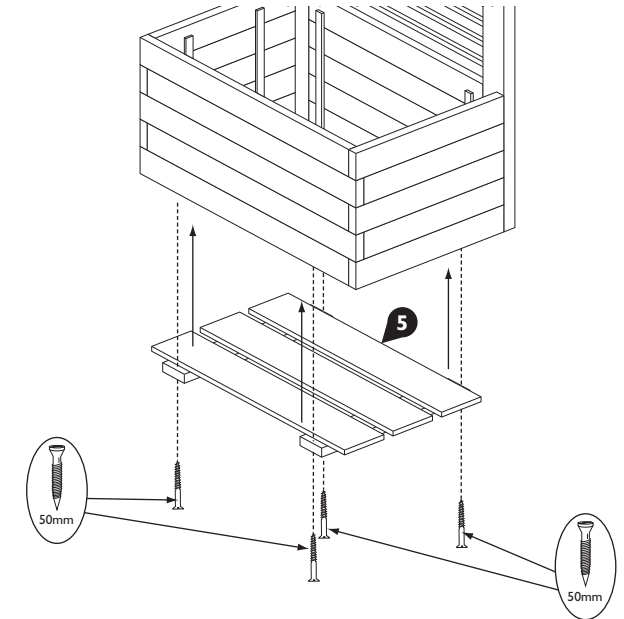
#### 1. Sides to front panel



#### 2. Back lattice panel

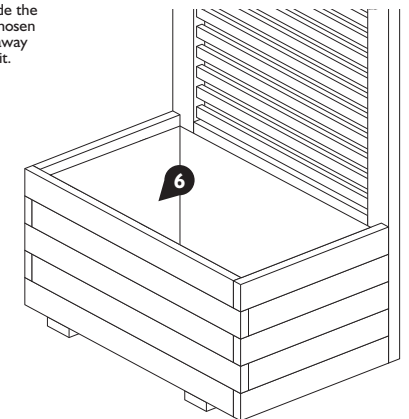


#### 3. Floor panel



#### 4. Liner

Position the liner inside the planter and fill with chosen planting media, trim away any excess liner to suit.



We constantly improve the quality of our products, occasionally the components may differ from the components shown and are only correct at time of printing. We reserve the right to change the specification of our products without prior notice.

2022 © Rowlinson Garden Products Ltd