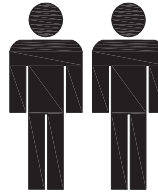




AXEL TV UNIT

407742

1.0hr



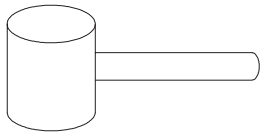
FLOOR AREA
2.5M X 2.5M



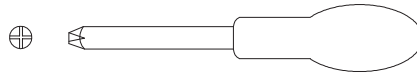
APPROXIMATE ASSEMBLY TIME 2 PERSON ASSEMBLY

REQUIRED ASSEMBLY SPACE

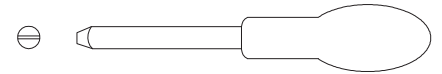
REQUIRED ASSEMBLY TOOLS



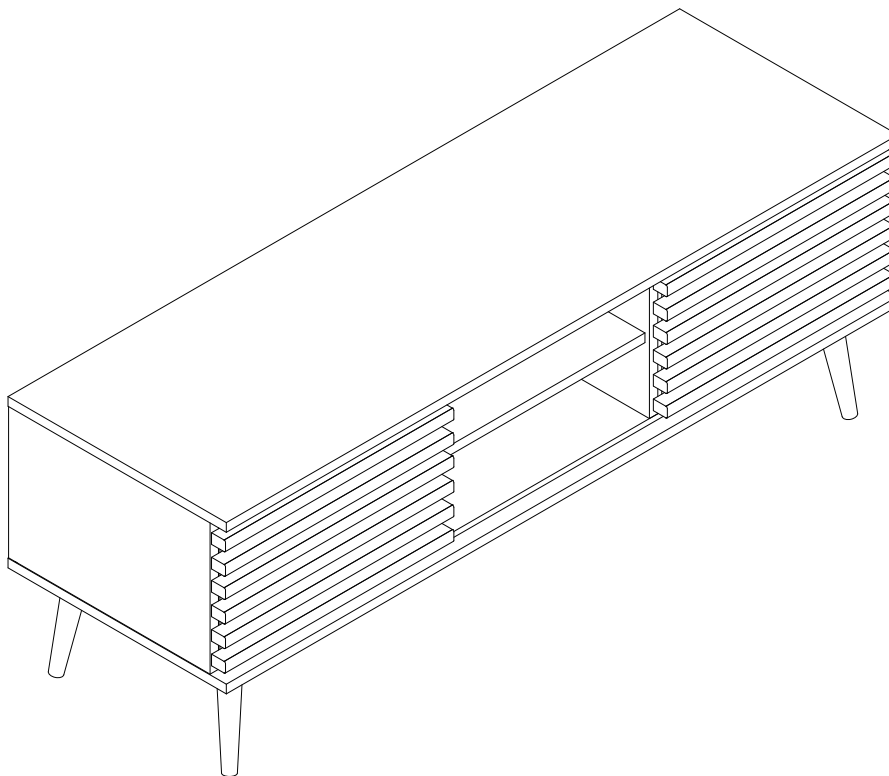
SOFT RUBBER HAMMER (Not Provided)



POZI SCREWDRIVER (Not Provided)



SLOTTED SCREWDRIVER (Not Provided)

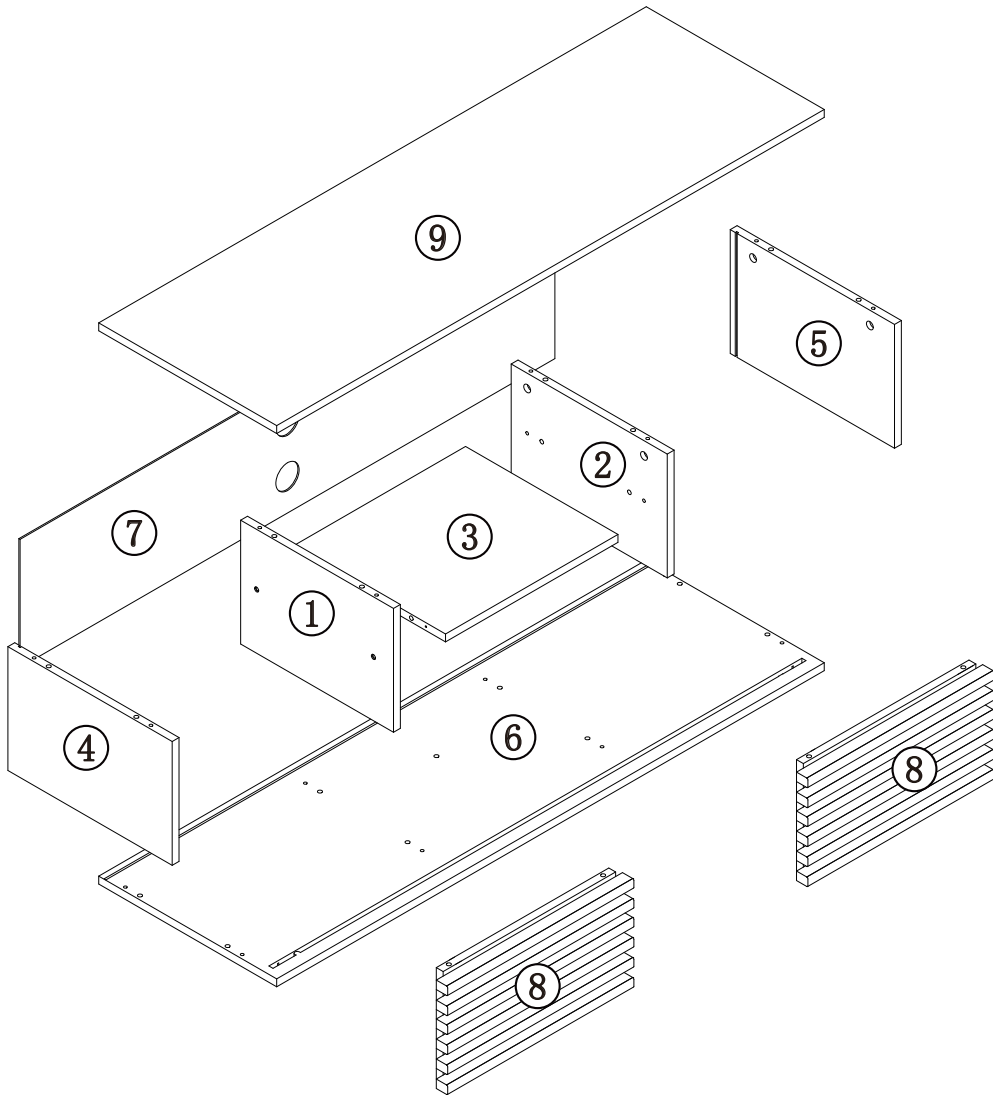


MODEL NAME:

**AXEL TV UNIT
407742**

NO.	PART LIST	QTY	NO.	PART LIST	QTY
(1)	MIDDLE PANEL -LEFT	1	(7)	BACK PANEL	1
(2)	MIDDLE PANEL-RIGHT	1	(8)	DOOR	2
(3)	SHELF	1	(9)	TOP PANEL	1
(4)	LEFT SIDE PANEL	1			
(5)	RIGHT SIDE PANEL	1			
(6)	BOTTOM PANEL	1			

PARTS LIST



MODEL NAME:

**AXEL TV UNIT
407742**

HARDWARE LIST

4cm

3cm

2cm

1cm

0cm



x8

M7 x 37mm

A

CAM BOLT



X8

M15 x 10mm

B

CAM NUT

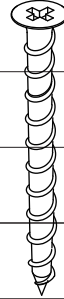


X20

M6 x 30mm

C

DOWEL



X12

M4.2 x 40mm

E

SCREW



X20

M4 x 14mm

G

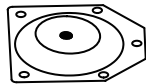
SCREW



x8

D

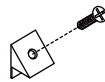
HEEL POST



x4

F

METAL PLATES



x8

H

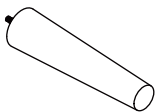
BACK PANEL
SUPPORT



x1

I

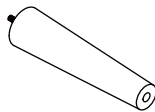
ADJUSTABLE
PLASTIC GLIDE



x4

J

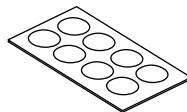
LEG



x1

K

LEG



x1

L

ANTICOLLISION
PARTICLE

MODEL NAME:

**AXEL TV UNIT
407742**

Top Tips before you start!

1. Please check that all parts are present before you start the assembly of your furniture.
2. For ease and speed of assembly, we recommend that before you commence each step of the assembly, that you identify all the parts required for that step.
3. For larger items, please ensure that you have sufficient space and people (as indicated on page 1) to assemble your product safely
4. We recommend that, where possible, all items are assembled near to the area in which they will be placed in use, to avoid moving the product unnecessarily once assembled.
5. For the protection of your furniture, we recommend that the product is placed on a protected surface during assembly to prevent any damage.
6. During assembly please take care not to over-tighten any fittings, as this may damage the product.
7. Always place the product on a flat, steady and stable surface.
8. Do not sit or stand on the product. Do not use the product as a stepladder.
9. This product is intended for indoor, household use only as it is non industrial product.
10. Please do not kneel on any part of this product during assembly.
11. Do not load more than a total of 45kgs onto the product, otherwise there is a risk of injury and/or damage to the product.
12. Make sure the product is stable and distribute weight evenly across it so that it cannot overturn.

Care and Maintenance of your Furniture

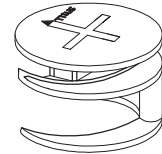
- Please periodically check all fittings and re-tighten as necessary.
- To clean your item, please use a damp cloth and wipe clean.
- Never allow any kind of liquid to remain on your furniture. Absorption can cause wood to warp or finishes to de-laminate.
- Please do not place hot items (e.g. hot drinks) directly on to the wood surface.
- Please do not drag and pull your furniture.

MODEL NAME:

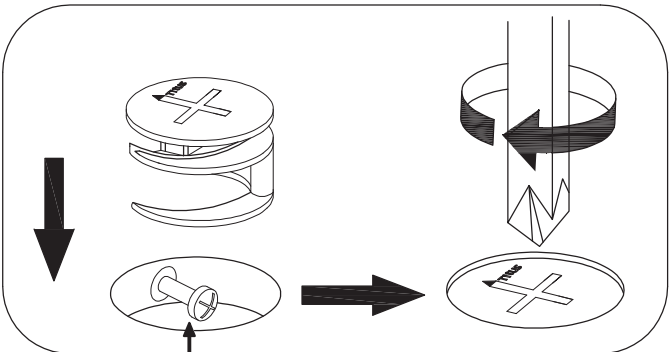
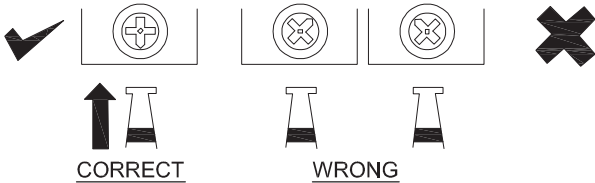
AXEL TV UNIT
407742

SPECIAL TIPS FOR FITTING CAM-LOCKS AND QUICKFIT

CAM-LOCK

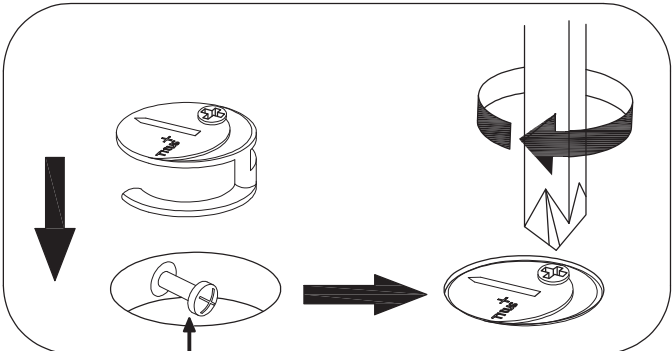


WHEN FITTING CAMLOCK
ENSURE STARTING POSITION IS CORRECT
BEFORE YOU INSERT CONNECTING QUICKFIT
TURN CLOCKWISE UNTIL SECURE



Quickfit head needs to be in centre

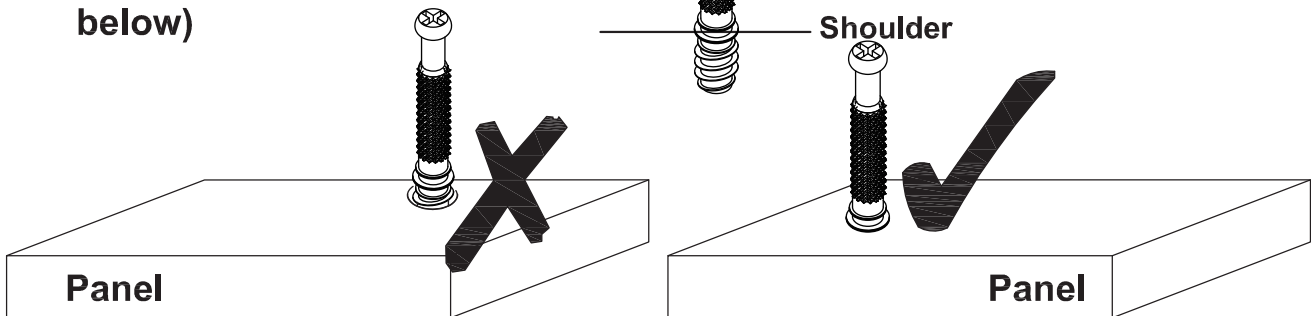
DRAWER
CAM-LOCK



Quickfit head needs to be in centre

QUICKFIT

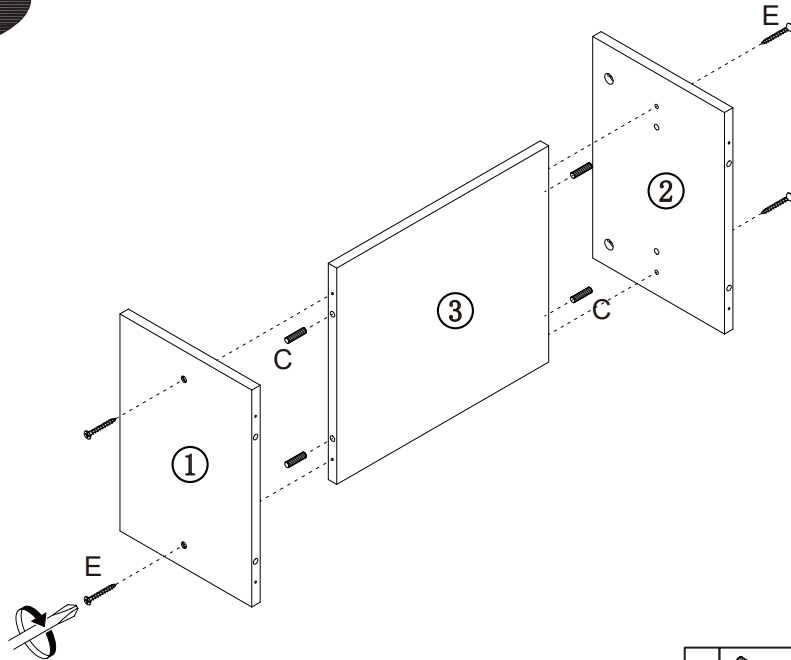
Tighten until shoulder is flush
with panel. Do not overtighten
or undertighten (see example
below)





MODEL NAME:

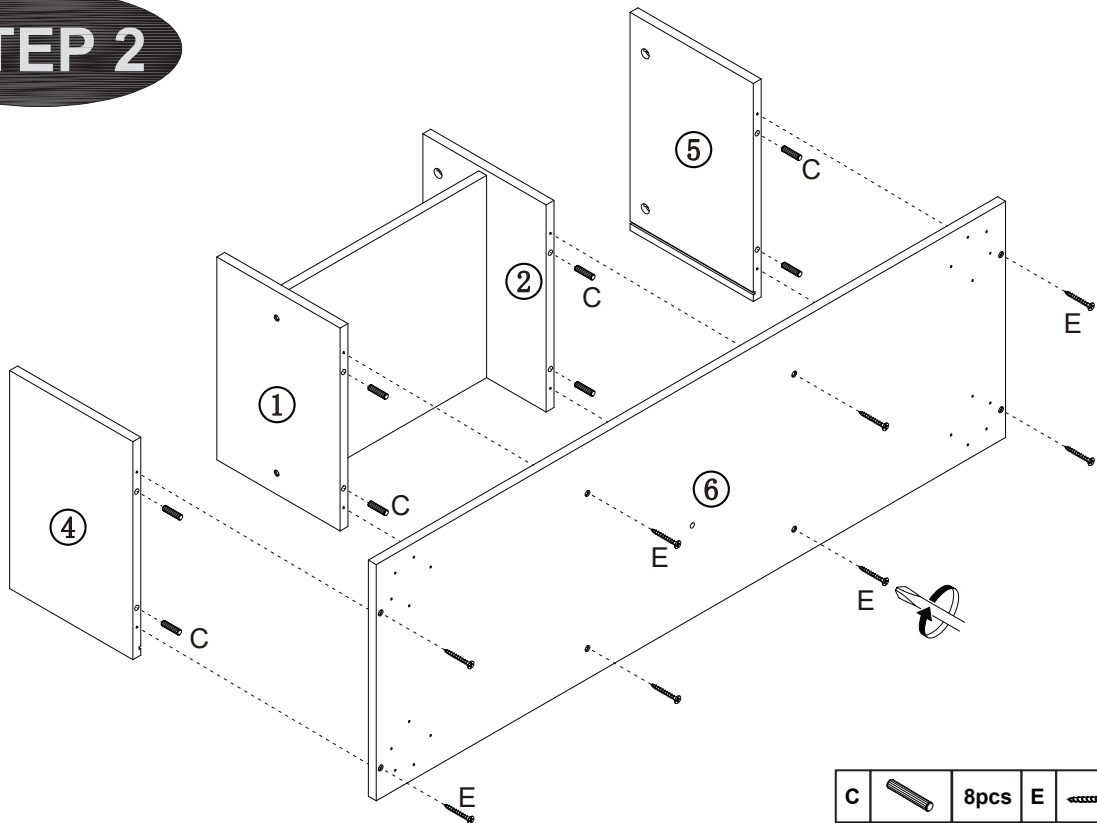
AXEL TV UNIT
407742

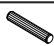
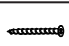
STEP 1



C		4pcs	E		4pcs
---	---	------	---	---	------

STEP 2

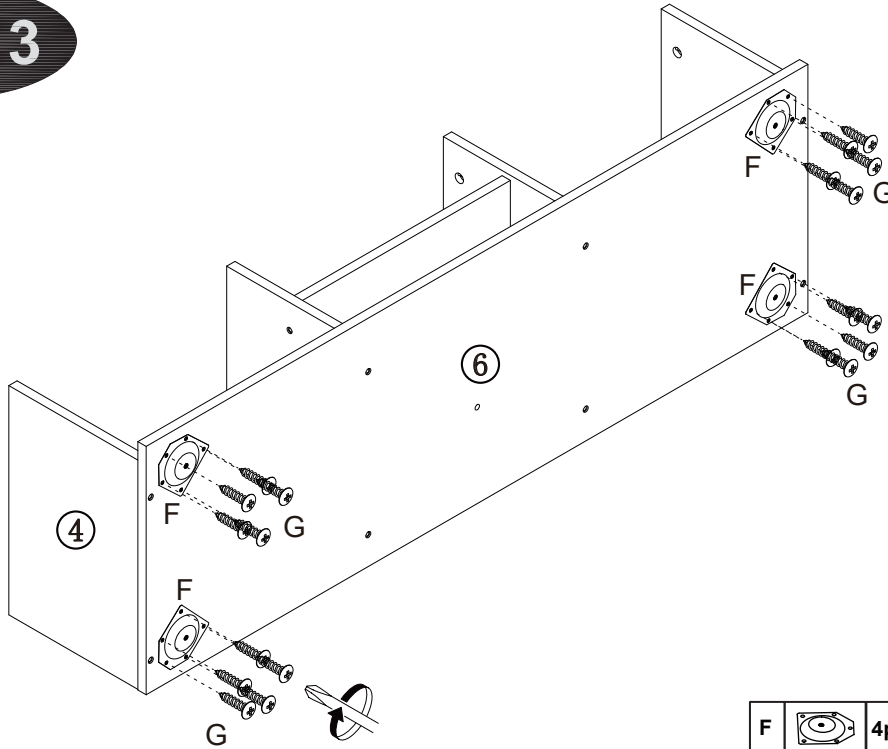


C		8pcs	E		8pcs
---	---	------	---	---	------

MODEL NAME:

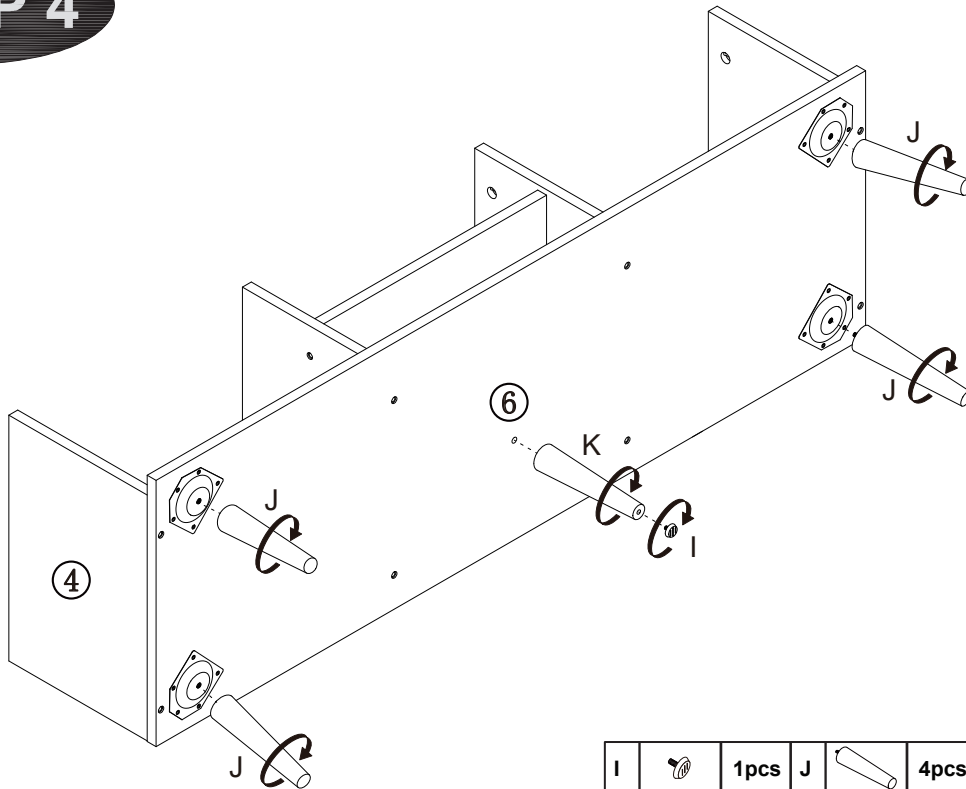
AXEL TV UNIT
407742

STEP 3



F		4pcs	G		20pcs
---	--	------	---	--	-------

STEP 4

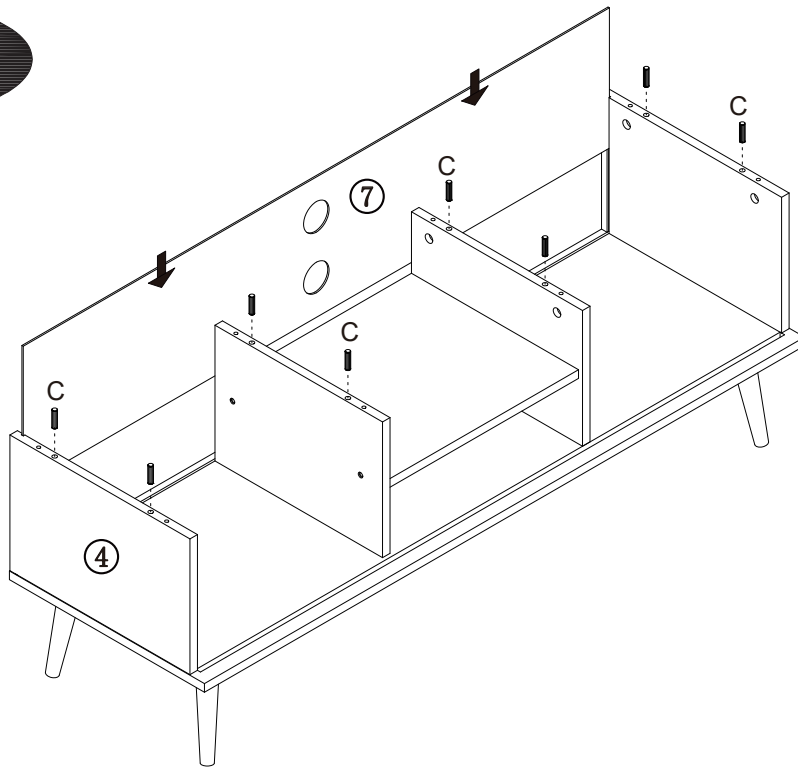



I		1pcs	J		4pcs	K		1pcs
---	--	------	---	--	------	---	--	------

MODEL NAME:

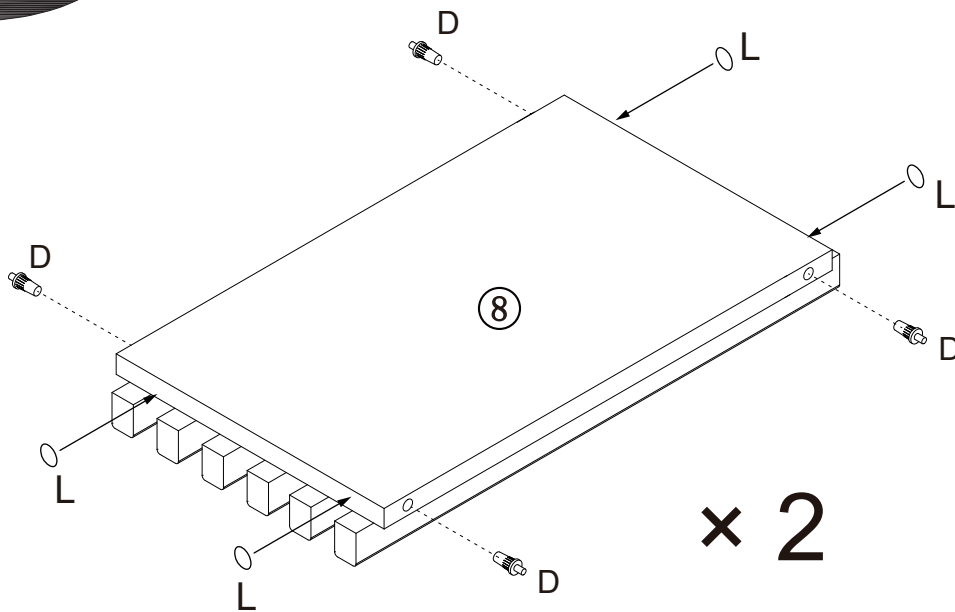
AXEL TV UNIT
407742



STEP 5



C		8pcs
---	---	------

STEP 6

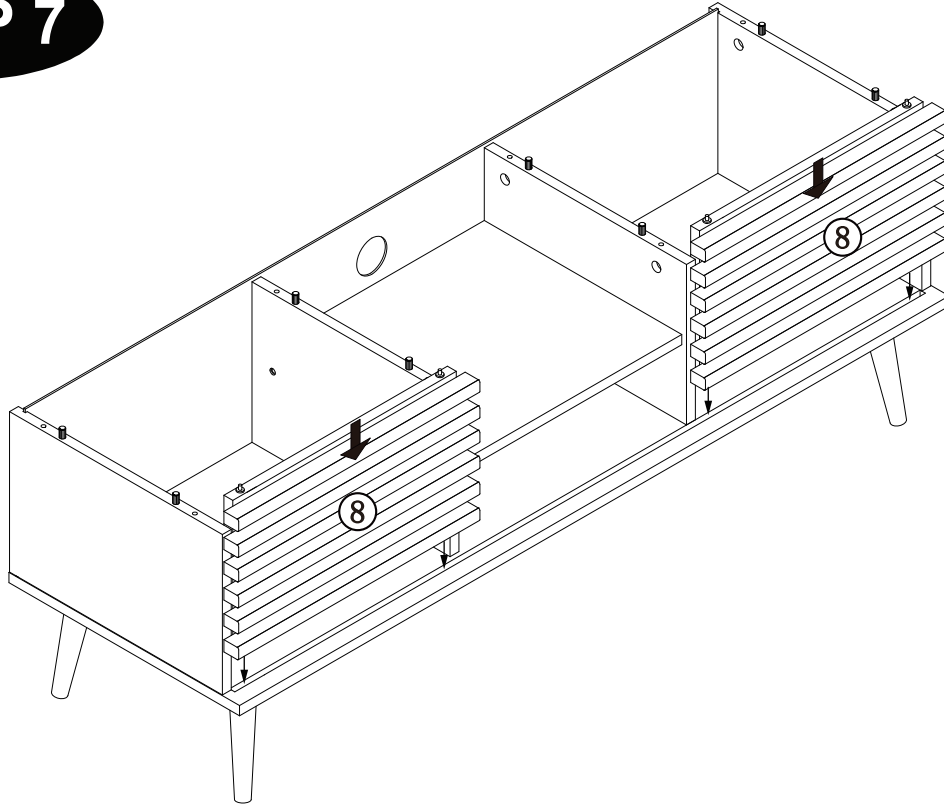


D		8pcs	L		1pcs
---	---	------	---	---	------

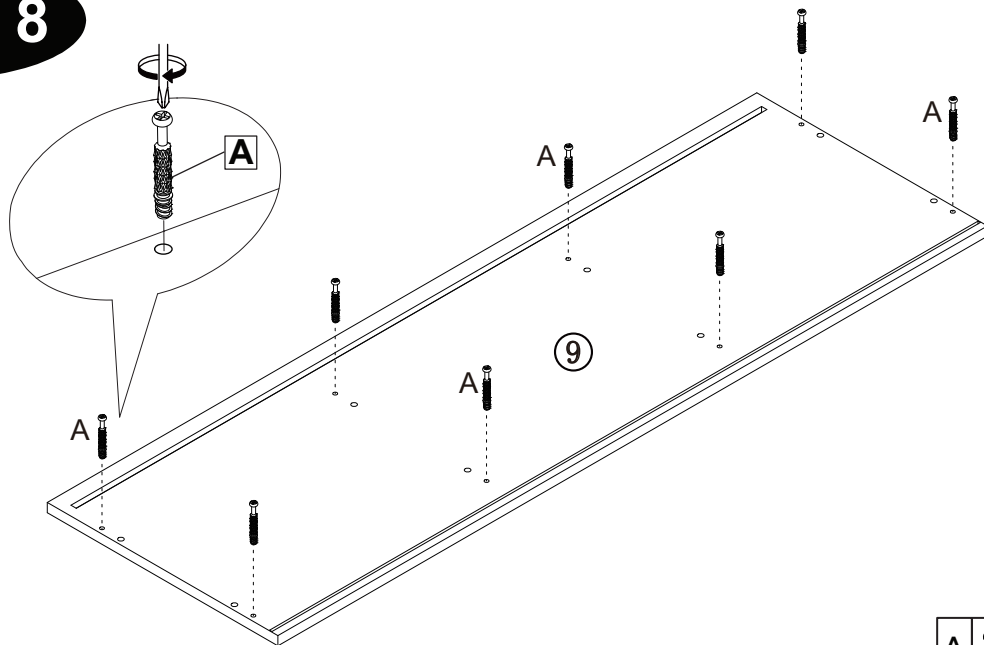
MODEL NAME:

AXEL TV UNIT
407742

STEP 7



STEP 8

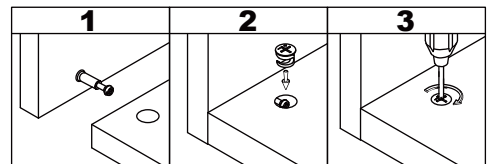
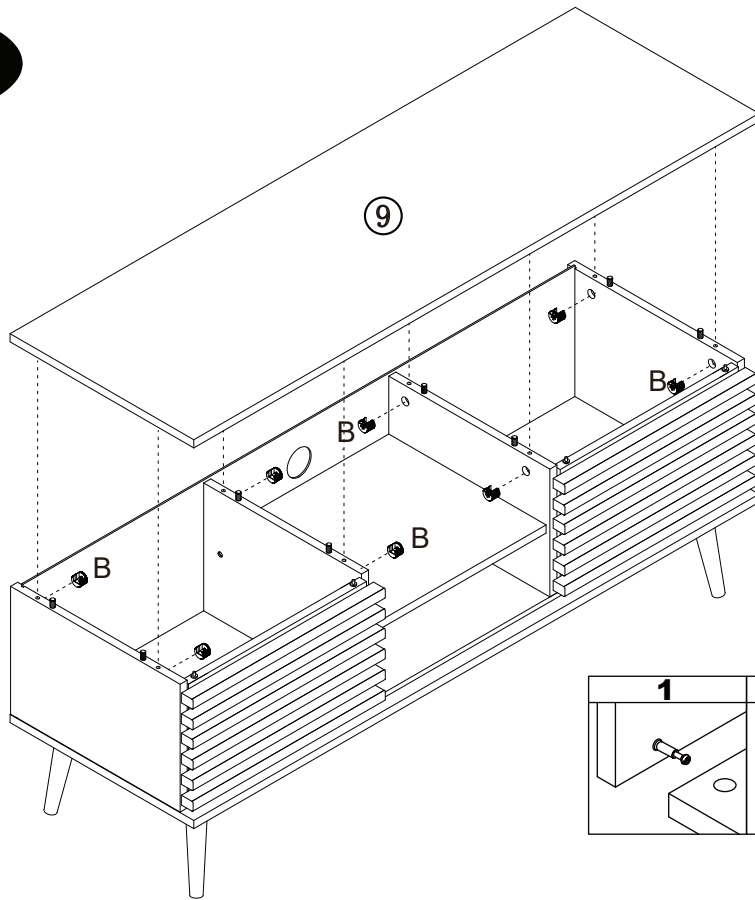


A		8pcs
---	---	------

MODEL NAME:

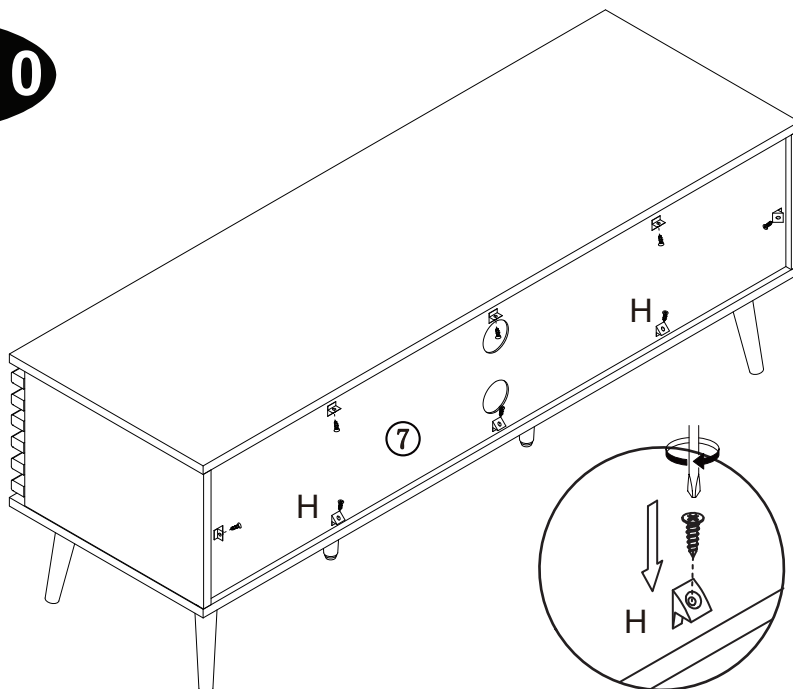
AXEL TV UNIT
407742


STEP 9



B  8pcs

STEP 10



H  8pcs

MODEL NAME:

**AXEL TV UNIT
407742**

STEP 11

