



HOME  
COLLECTION

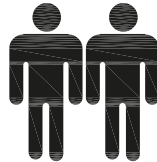
# ARLO 4 DRAWER CHEST

Item Code:428416  
Assembly Instructions

# 1.0hr

APPROXIMATE ASSEMBLY TIME

2 PEOPLE ASSEMBLY

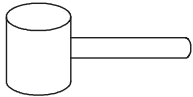


FLOOR AREA  
1.5Mx1.5M

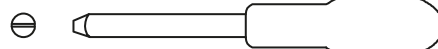


REQUIRED ASSEMBLY SPACE

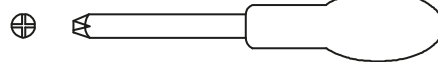
REQUIRED ASSEMBLY TOOLS



SOFT RUBBER HAMMER(Not Provided)



SLOTTED SCREWDRIVER(Not Provided)

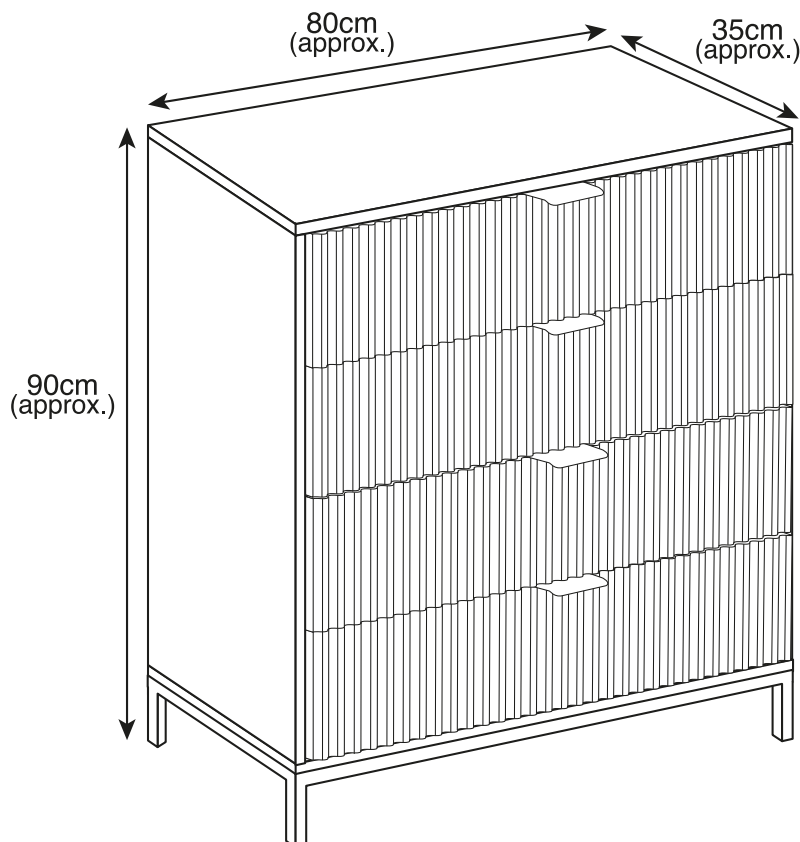


POZI SCREWDRIVER(Not Provided)



MEASURING TAPE(Not Provided)

ASSEMBLED DIMENSIONS



MAX LOADING: 15KG (TOP: 3KG/ SHELF: 3KG EACH)

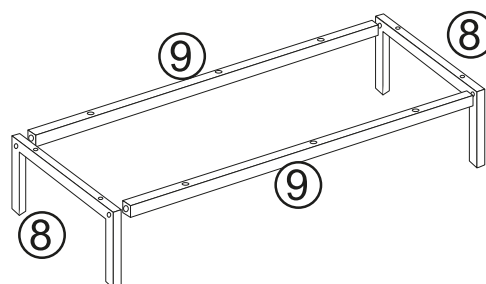
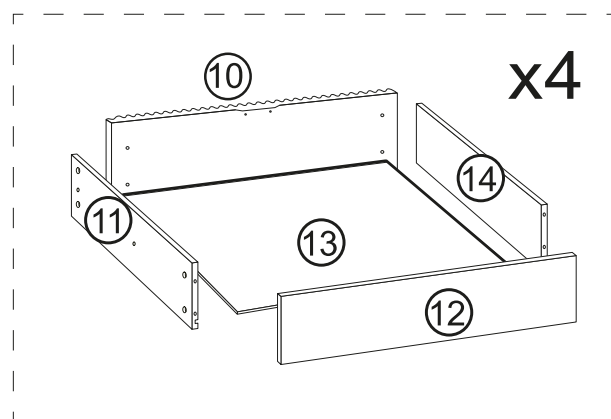
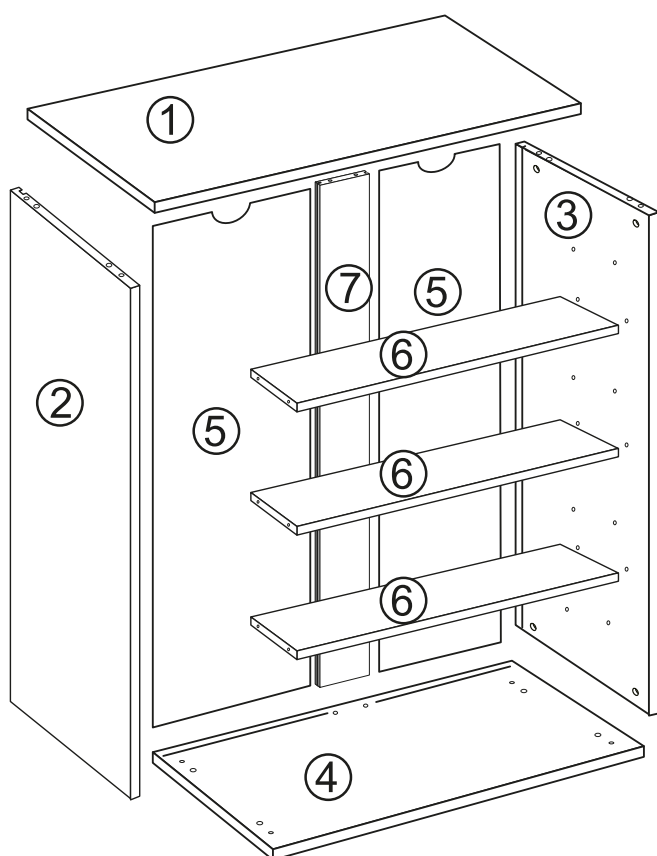
# HOME COLLECTION ARLO 4 DRAWER CHEST

Item Code:428416

## Assembly Instructions

NO.	PART LIST	QTY	NO.	PART LIST	QTY
(1)	TOP PANEL	1	(8)	METAL LEG	2
(2)	LEFT SIDE PANEL	1	(9)	METAL LEG	2
(3)	RIGHT SIDE PANEL	1	(10)	FRONT DRAWER PANEL	4
(4)	BOTTOM PANEL	1	(11)	RIGHT DRAWER SIDE PANEL	4
(5)	BACK PANEL	2	(12)	BACK DRAWER PANEL	4
(6)	DRAWER SUPPORT BAR	3	(13)	BOTTOM DRAWER PANEL	4
(7)	SUPPORT BAR	1	(14)	LEFT DRAWER SIDE PANEL	4

### PART LIST


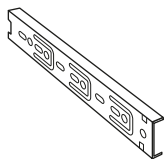
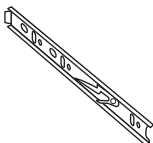





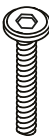

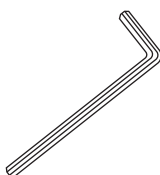
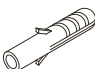
# HOME COLLECTION ARLO 4 DRAWER CHEST

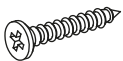

Item Code:428416

## Assembly Instructions

### HARDWARE LIST

<b>A</b>	x 4	<b>B-1</b>	x 8	<b>B-2</b>	x 8	<b>C</b>	x 8	<b>D</b>	x 56
									
HANDLE		DRAWER RUNNER				WOODEN DOWEL		QUICK FIT	

<b>E</b>	x 56	<b>F</b>	x 14	<b>G</b>	x 34	<b>H</b>	x 1	<b>I</b>	x 2
									
CAM LOCK		SCREW		SCREW		ALLEN KEY		WALL PLUG	

<b>J</b>	x 2	<b>K</b>	x 2
			
SCREW		BRACRET	

# HOME COLLECTION ARLO 4 DRAWER CHEST

Item Code:428416

## Assembly Instructions



### Safety Advice and Care Advice

KEEP ALL THE SAFETY ADVICE AND INSTRUCTIONS IN A SAFE PLACE FOR FUTURE REFERENCE!



### **WARNING! RISK OF LOSS OF LIFE OR ACCIDENT**

**TO INFANTS AND CHILDREN!** Never leave children unsupervised with the packaging materials. Danger of suffocation.

**CAUTION! RISK OF INJURY!** Make sure that all parts are undamaged and assembled correctly. Improper assembly carries a risk of injury. Damaged parts may affect the safety and function of the product.

- Adult assembly required.
- Power tools are not recommended for the assembly of this product.
- Make sure that this product is stable & used only on a solid & flat surface.
- Do not use this product unless all screws and fixings are firmly secured.
- Do not leave children unsupervised! The product is not a climbing frame or a toy!
- Do not stand, sit or lean on this product
- Do not use this product as a step ladder or as a chopping surface.
- Do not lift or move the product when it is loaded.
- Do not load more than a total of 15kg (Top: 3kg/ Shelf: 3kg each) onto the unit, otherwise there is a risk of injury and/or damage to the product
- Distribute weight evenly across the product so that it cannot overturn.
- Do not place hot items such as coffee cups directly on the surface(s) unless adequately thick table mats are used.
- Please periodically check all fittings and re-tighten as necessary.
- For Indoor & Domestic use only.

### **Care instructions:**

- Wipe clean with a dry cloth.
- Do not use scourers, abrasive or chemical solvents.
- Keep away from moisture and direct sunlight.
- Keep away from fire and inflammable objects.
- Store in a dry place.

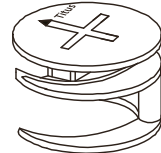
# HOME COLLECTION ARLO 4 DRAWER CHEST

Item Code:428416

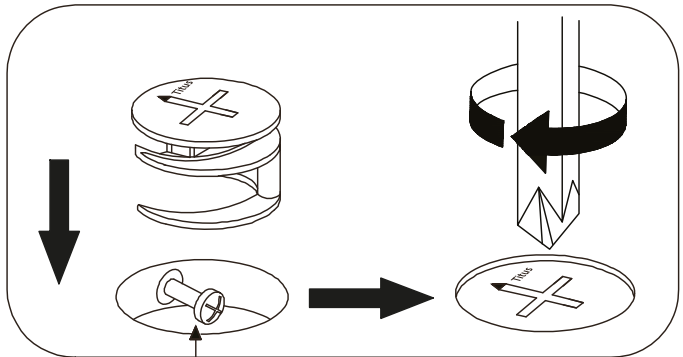
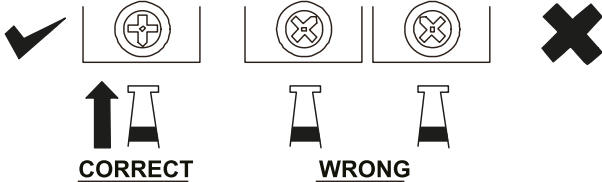
## Assembly Instructions

### SPECIAL TIPS FOR FITTING CAM-LOCKS AND QUICKFIT

**CAM-LOCK**



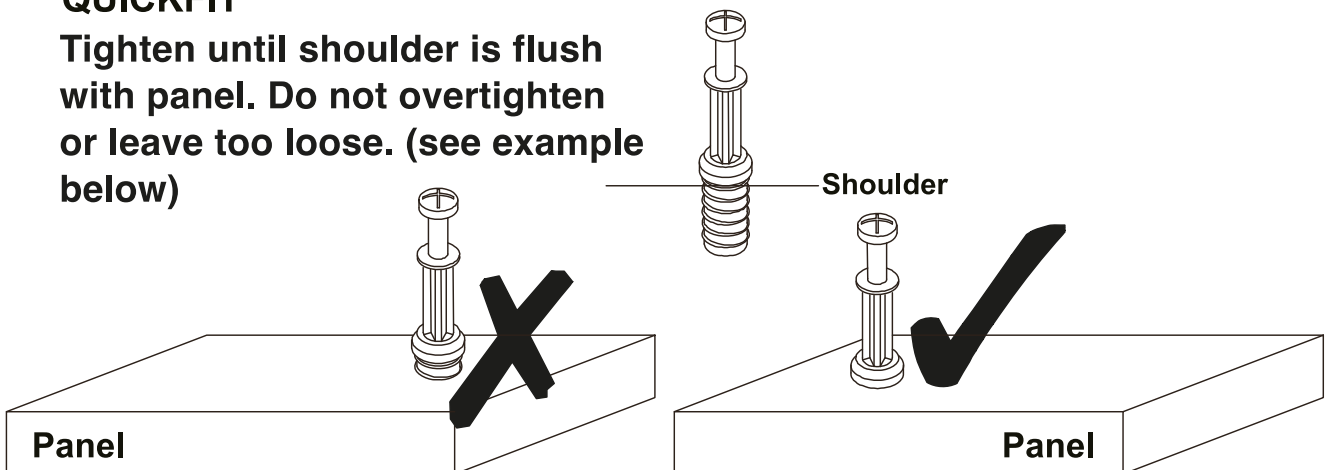
WHEN FITTING CAMLOCK  
ENSURE STARTING POSITION IS CORRECT  
BEFORE YOU INSERT CONNECTING QUICKFIT  
TURN CLOCKWISE UNTIL SECURE



Quickfit head needs to be in centre

#### QUICKFIT

Tighten until shoulder is flush with panel. Do not overtighten or leave too loose. (see example below)



# HOME COLLECTION ARLO 4 DRAWER CHEST

## Item Code:428416 Assembly Instructions

### **NOTE: Supplied wall plugs are only suitable for use in masonry walls.**

If you have any doubts about using the correct plug for your wall, please seek professional advice. Failure of the product due to using incorrect fixings is the responsibility of the installer.



### **IMPORTANT:**

When drilling into walls, always check for hidden wires or pipes, etc.



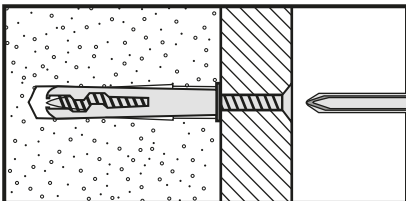
### **Tips & Tricks**

**Make sure that the hardware used is suitable for supporting your unit.  
Please consult a qualified tradesperson if unsure.**

- ☑ If you are unsure, please select a larger screw and wall plug.
- ☑ Ensure that you use the recommended drill bit to match the wall plug and hole size.
- ☑ Take extra care when drilling high walls, ceiling and ceramic tiles. Ensure wall plugs are inserted beyond the thickness of the ceramic tiles to avoid splitting or cracking.
- ☑ Ensure that wall plugs are well fitted and are a tight fit in the drilled hole.

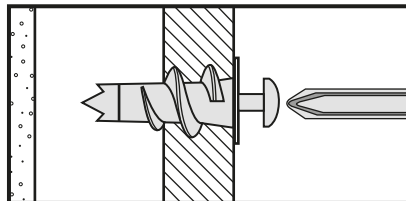
### **Types Of Walls**

Use one of the following types of wall plug (not included) if your walls are made of brick, breeze block, concrete, stone or wood. Screws may be able to be fixed directly to solid wood walls as they will provide a secure anchor point.



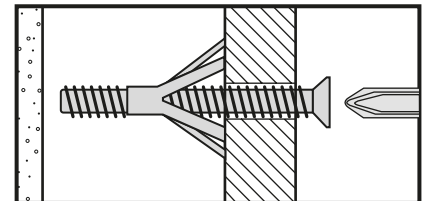
#### **1. General Purpose Wall Plug**

Generally, aerated blocks should not be used to support heavy loads, use a specialist fitting in this case. For light loads, general purpose wall plugs can be used.



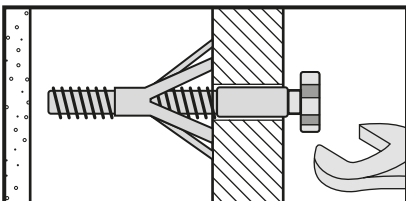
#### **2. Plasterboard Wall Plug**

For use when attaching light loads onto plasterboard partitions.



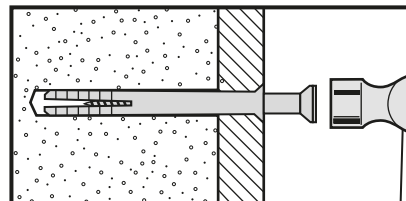
#### **3. Cavity Fixing Wall Plug**

For use with plasterboard partitions or hollow wooden doors.



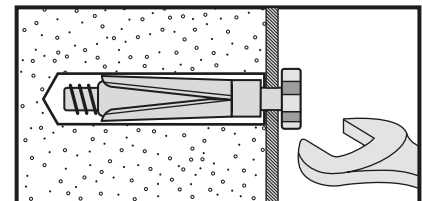
#### **4. Cavity Fixing Heavy Duty Wall Plug**

For use when fitting or supporting heavy loads such as shelving and wall cabinets.



#### **5. Hammer Fixing Wall Plug**

For use with concrete block or brick walls, or walls stuck with plasterboard. The hammer fixing allows it to be fixed to the wall rather than the plasterboard. Always check the fixing is secure to the retaining wall.



#### **6. Shield Anchor Wall Plug Heavy Loads**

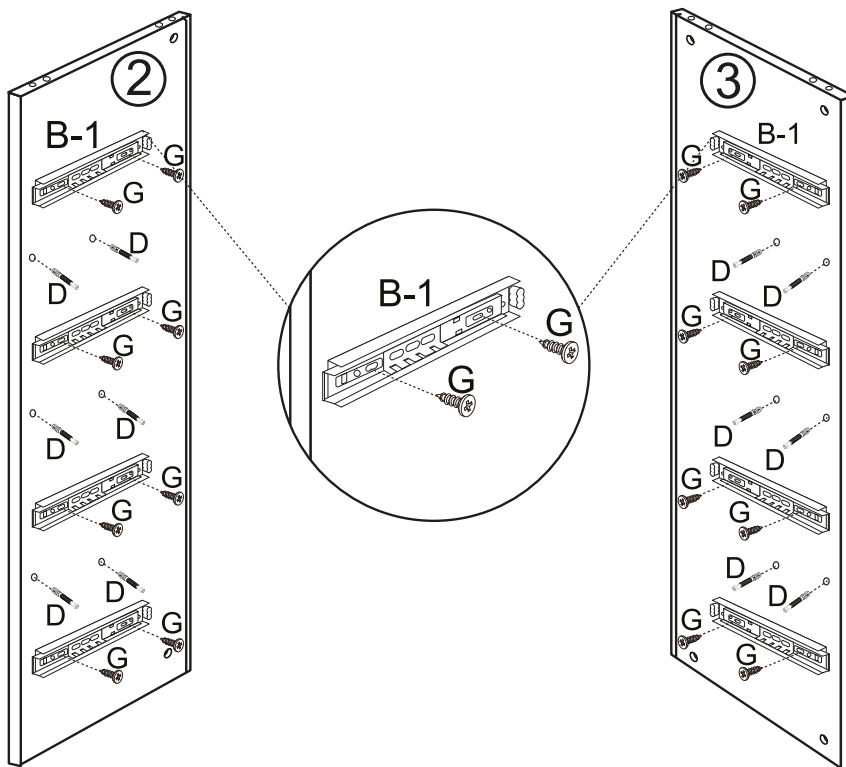
For use with concrete or brick walls, or for use with heavier loads such as TV & HiFi speakers and satellite dishes, etc.

# HOME COLLECTION ARLO 4 DRAWER CHEST

Item Code:428416

## Assembly Instructions

### STEP 1

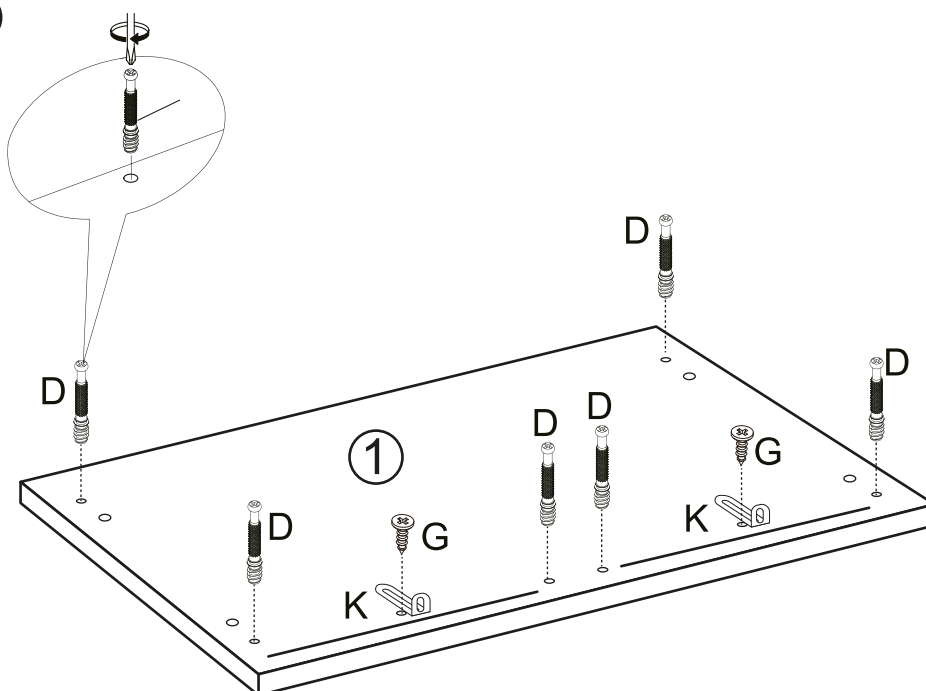


D x 12



G x 16

### STEP 2



D x 6



G x 2

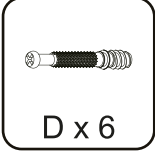
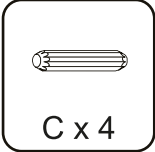
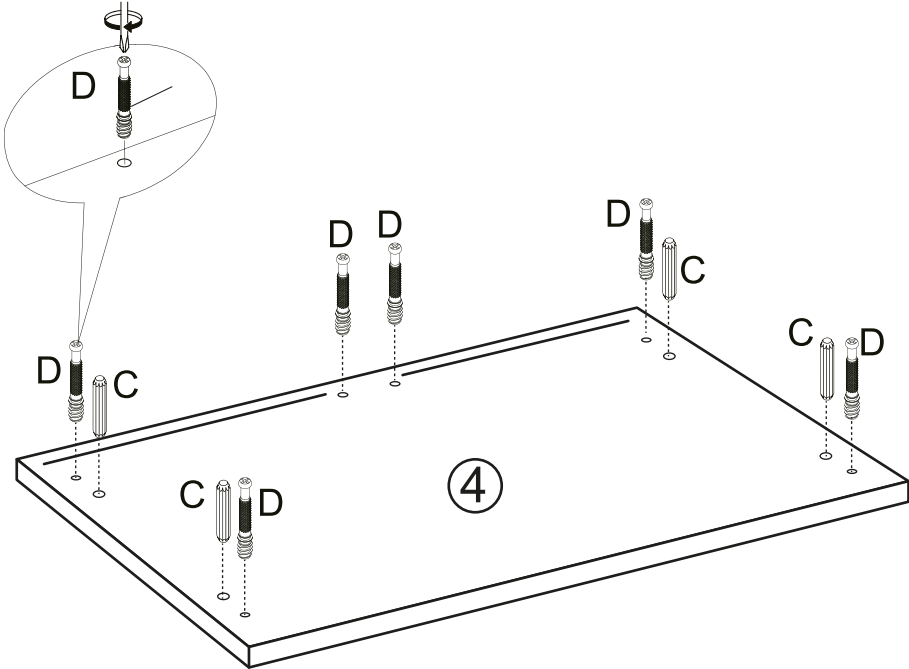


K x 2

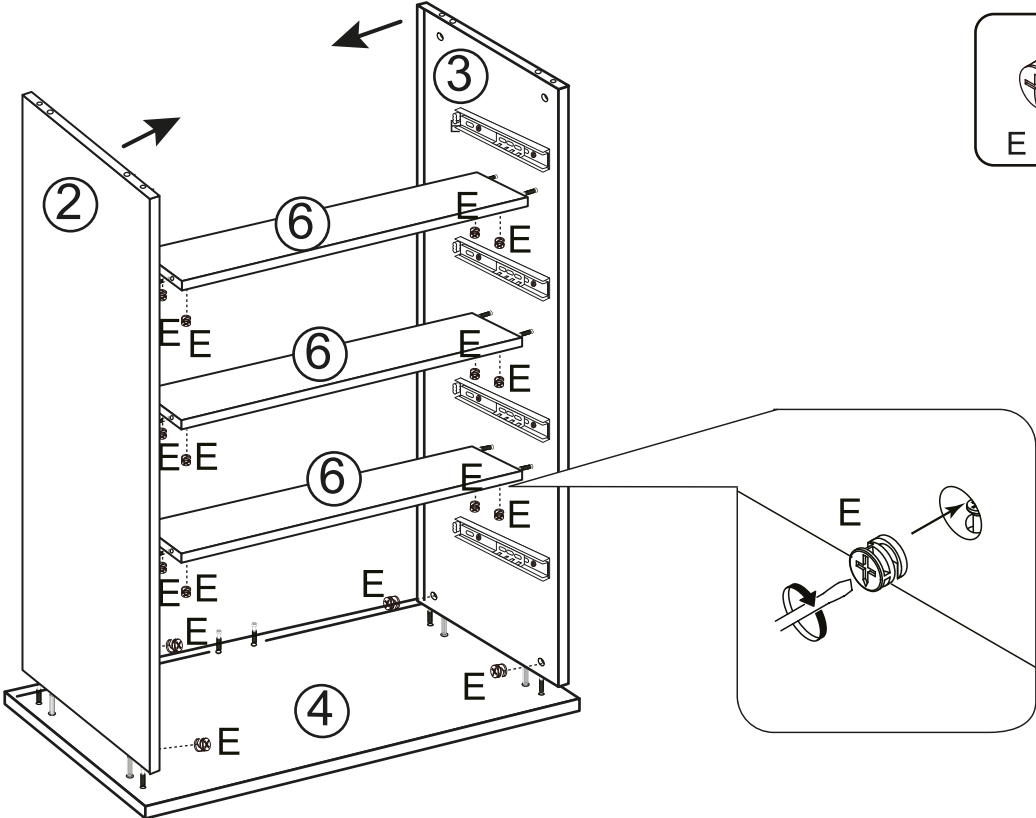
# HOME COLLECTION ARLO 4 DRAWER CHEST

Item Code:428416  
Assembly Instructions

## STEP 3



## STEP 4

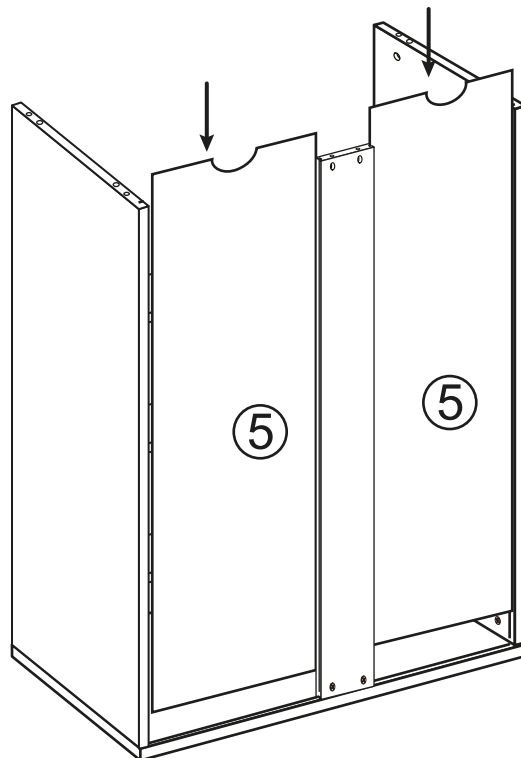
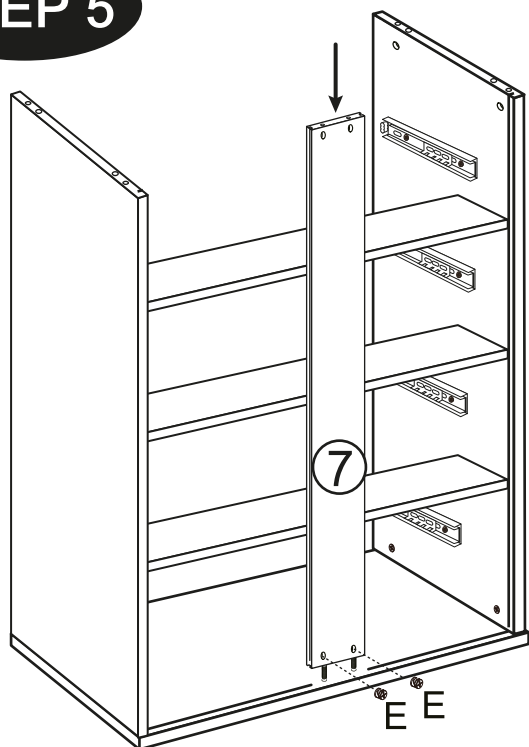


# HOME COLLECTION ARLO 4 DRAWER CHEST

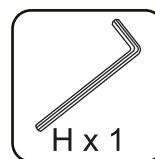
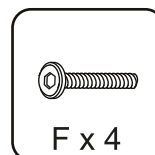
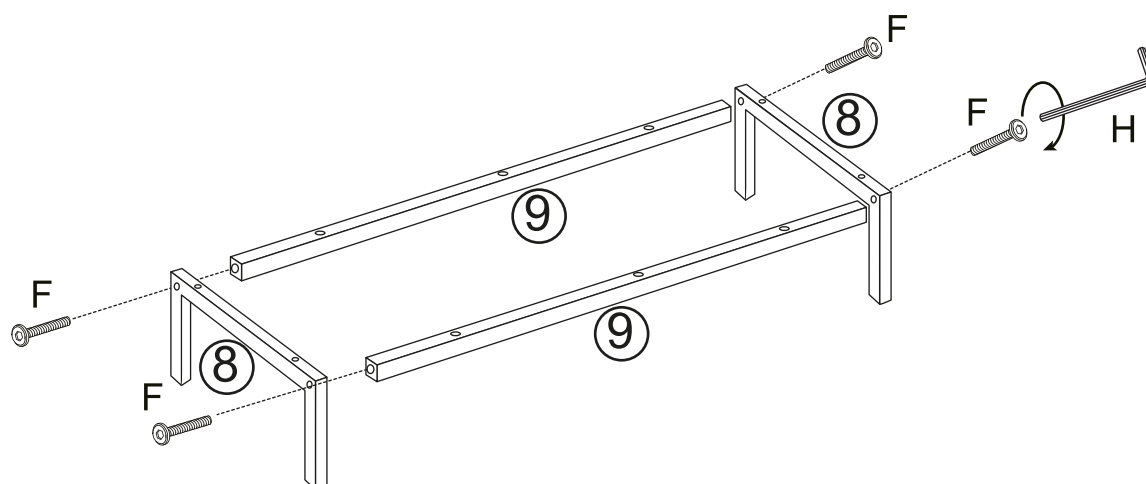
Item Code:428416

## Assembly Instructions

### STEP 5



### STEP 6

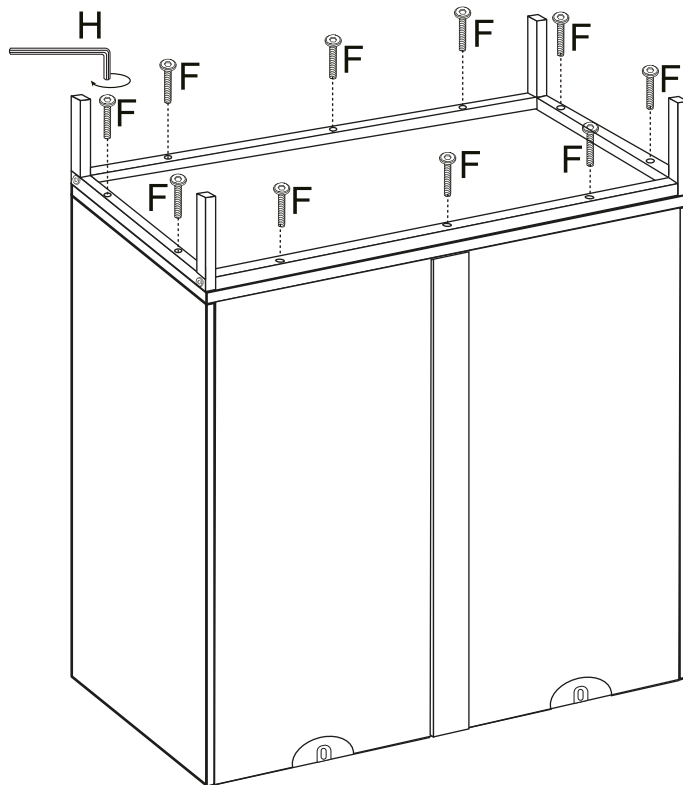


# HOME COLLECTION ARLO 4 DRAWER CHEST

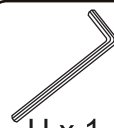
Item Code:428416

## Assembly Instructions

### STEP 7

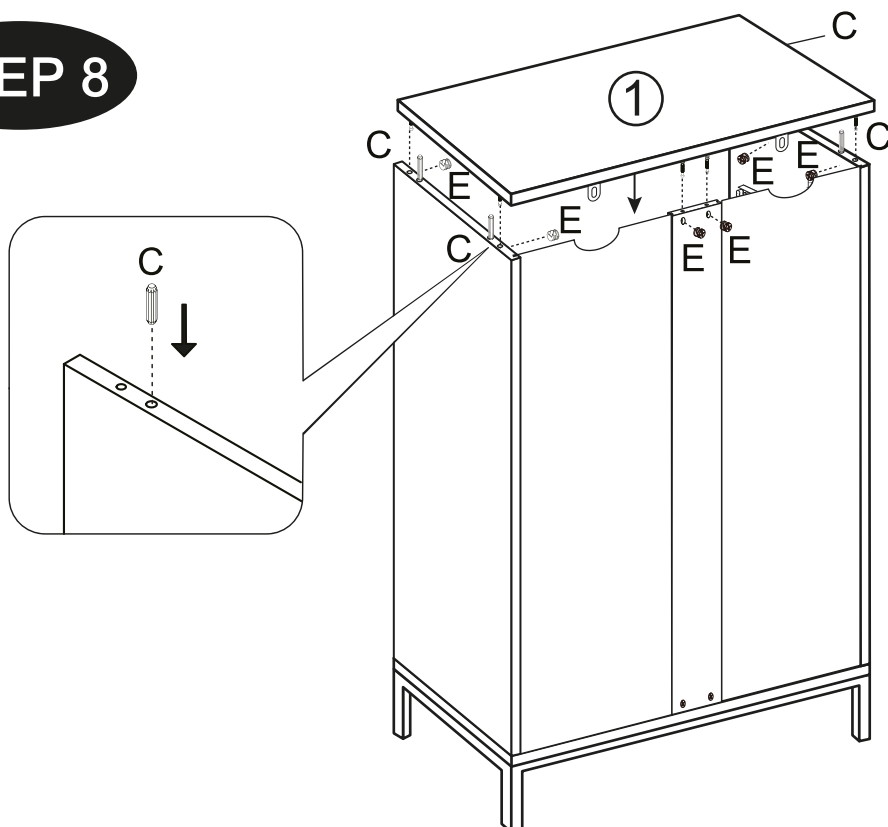


F x 10



H x 1

### STEP 8



C x 4



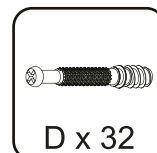
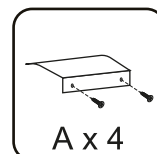
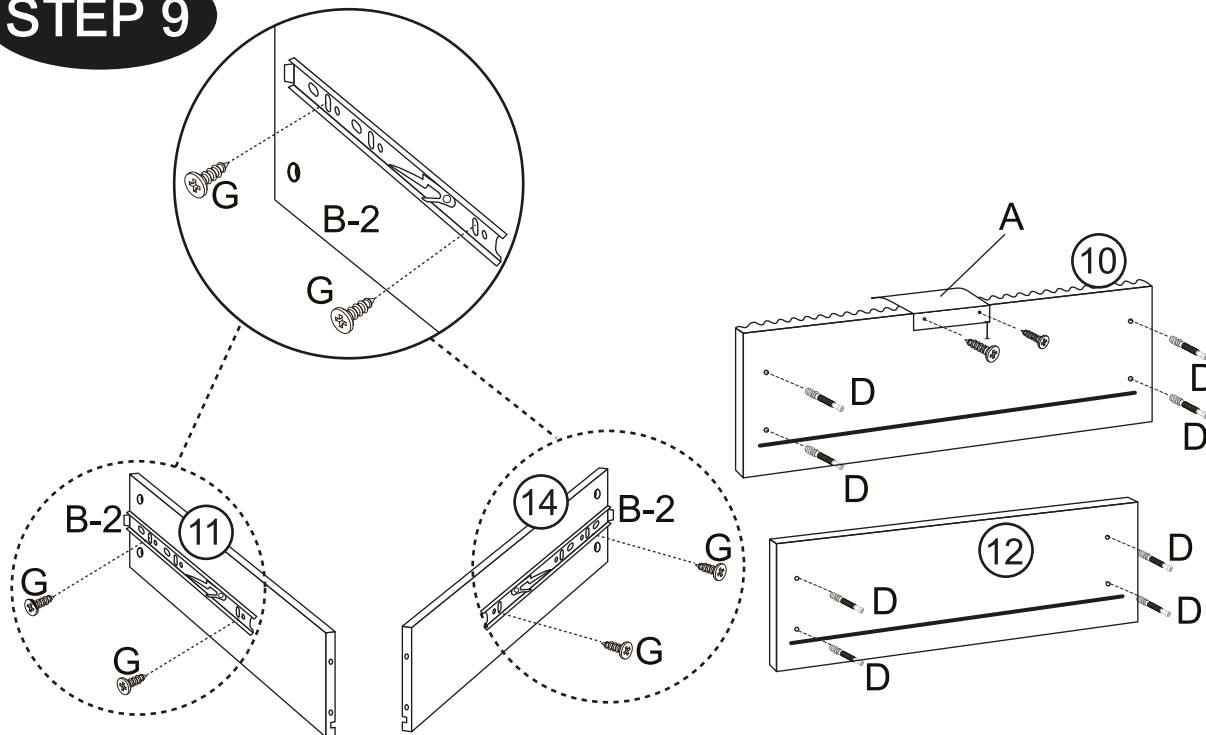
E x 6

# HOME COLLECTION ARLO 4 DRAWER CHEST

Item Code:428416

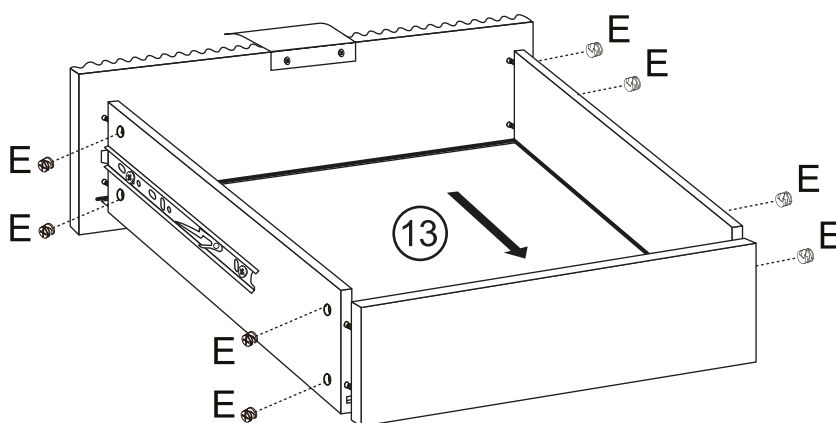
## Assembly Instructions

### STEP 9



x4

### STEP 10



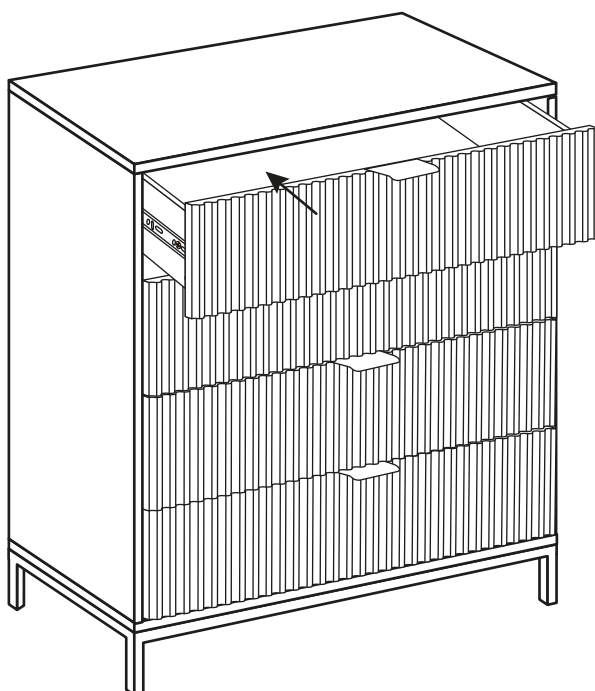
x4

# HOME COLLECTION ARLO 4 DRAWER CHEST

Item Code:428416

## Assembly Instructions

### STEP 11



### STEP 12

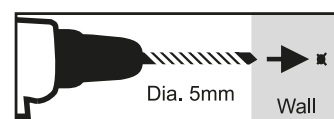
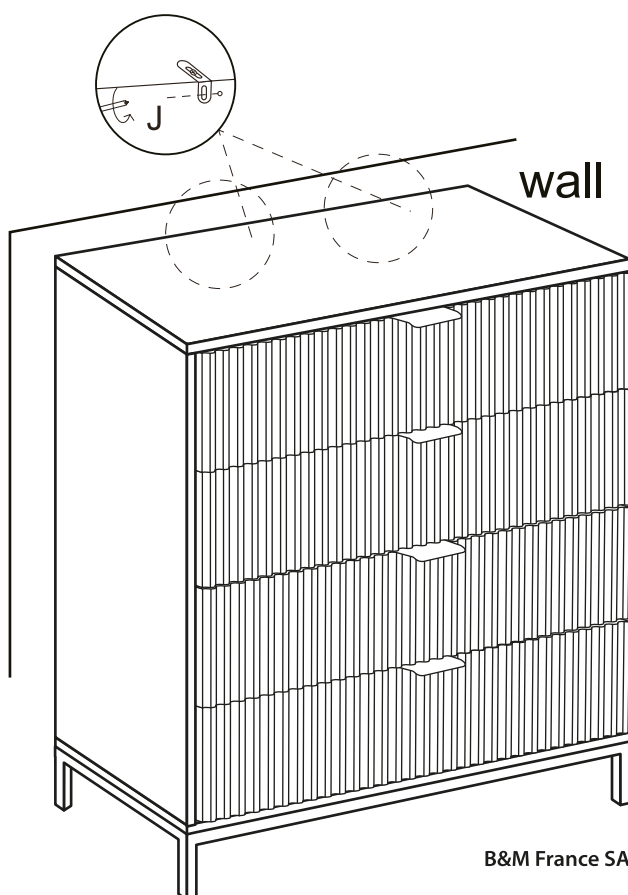
#### WARNING:

Anti-tipping hardware is only a deterrent. It is not a substitute for proper adult supervision.

Young children may be injured by tipping furniture and the use of a tipping restraint is highly recommended.

This hardware, when properly installed, could provide protection against the unexpected tipping of furniture due to improper use.

Please ensure the anti-tipping hardware provided is suitable for your wall or else it might damage your wall during installation.

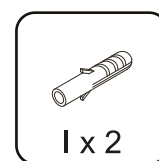


Dia. 5mm Wall

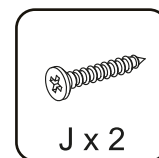


1

Wall



1 x 2



J x 2



B&M Retail, L24 8RJ, UK

[www.bmstores.co.uk](http://www.bmstores.co.uk)

B&M France SAS, 8 Rue du Bois Joli, 63800, France

MADE IN CHINA

Domestic Use Only