



# FOLDAWAY STEP

Item Code: 428558  
Assembly Instructions

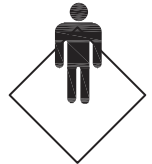
**30min**

APPROXIMATE ASSEMBLY TIME

1 PERSON ASSEMBLY

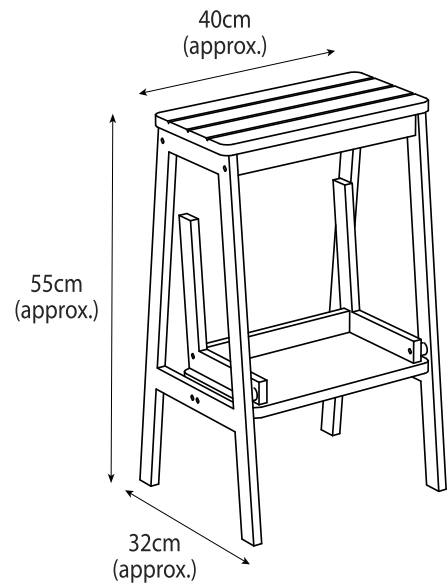
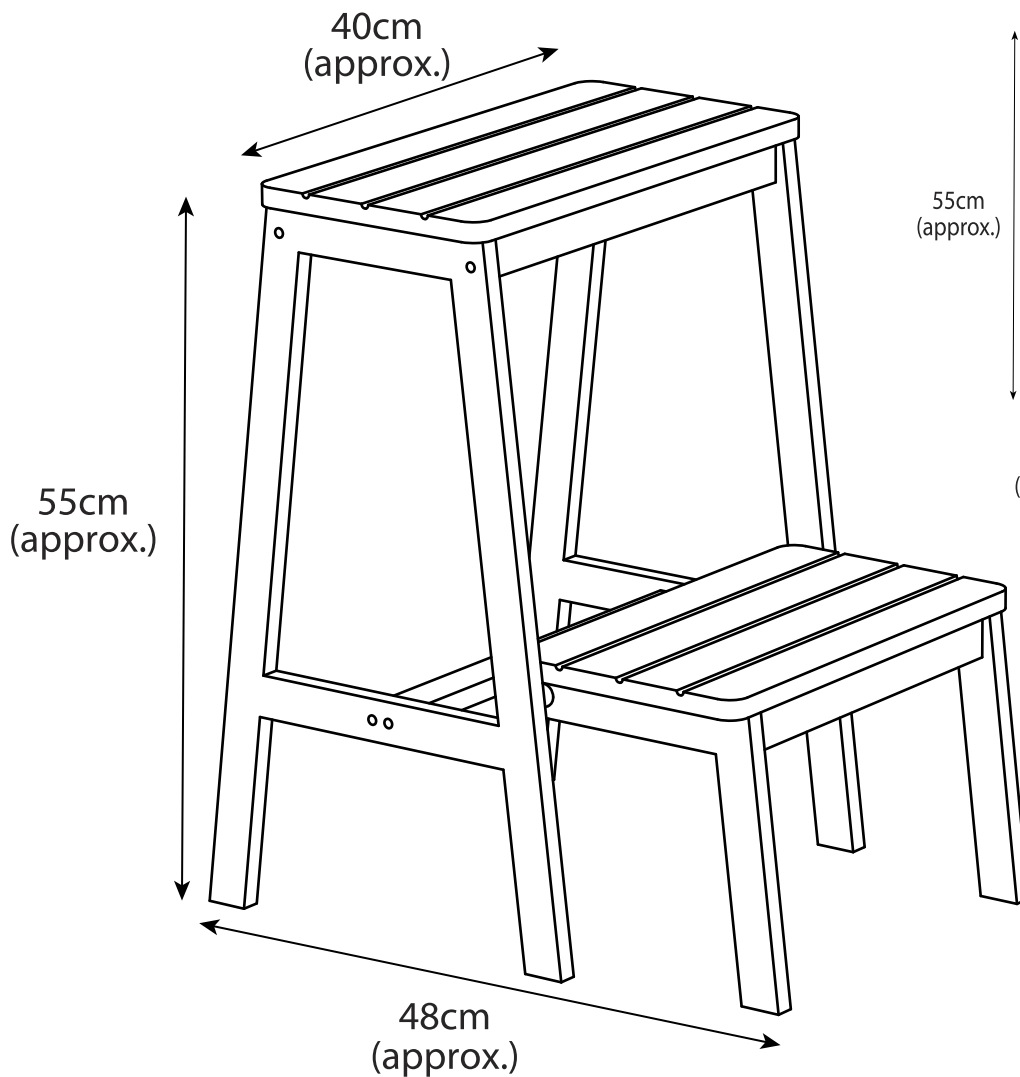


FLOOR AREA  
1M X 1M



REQUIRED ASSEMBLY SPACE

ASSEMBLED DIMENSIONS

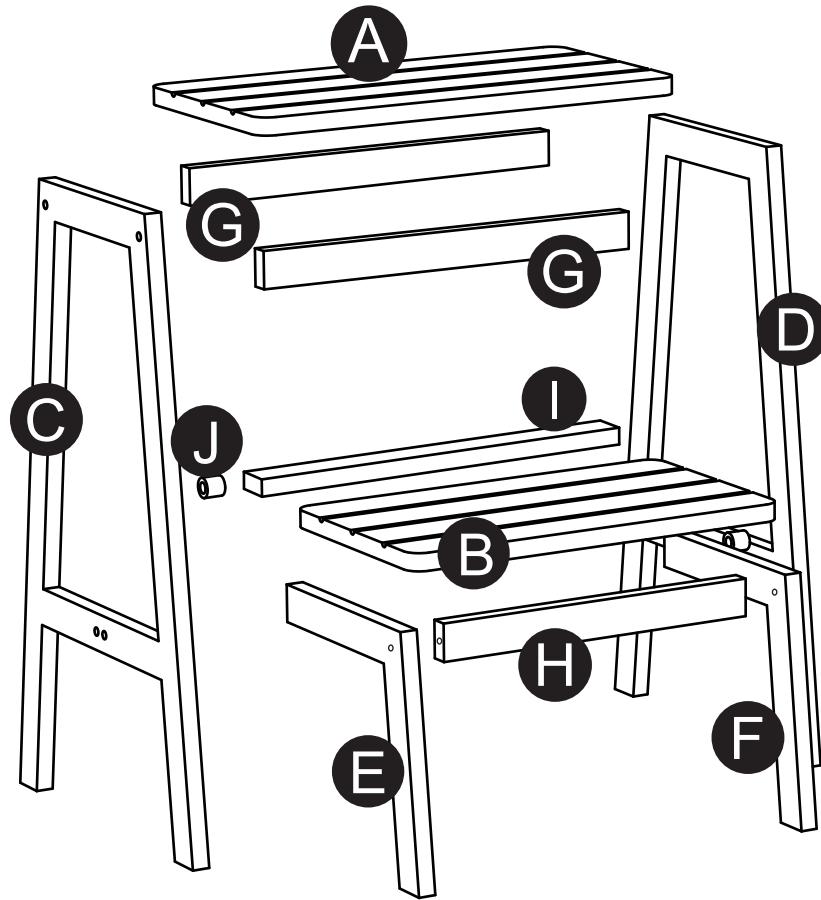


**MAX. LOADING: 100KG (Only one person on step)**





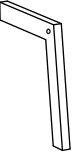






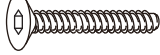
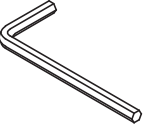
# SIMPLY FOLDAWAY STEP

Item Code: 428558  
 Assembly Instructions

## PART LIST



## HARDWARE LIST

<b>A</b>  x1	<b>B</b>  x1	<b>C</b>  x1	<b>D</b>  x1	<b>E</b>  x1
<b>F</b>  x1	<b>G</b>  x2	<b>H</b>  x1	<b>I</b>  x1	<b>J</b>  x2
<b>K</b>  x20	<b>L</b>  x2	<b>M</b>  x1		

# SIMPLY FOLDAWAY STEP

## Item Code: 428558 Assembly Instructions



### Safety Advice and Care Advice

KEEP ALL THE SAFETY ADVICE AND INSTRUCTIONS IN A SAFE PLACE FOR FUTURE REFERENCE!



### **WARNING! RISK OF LOSS OF LIFE OR ACCIDENT**

**TO INFANTS AND CHILDREN!** Never leave children unsupervised with the packaging materials. Danger of suffocation.



**CAUTION! RISK OF INJURY!** Make sure that all parts are undamaged and assembled correctly. Improper assembly carries a risk of injury. Damaged parts may affect the safety and function of the product.

- Adult assembly required.
- Power tools are not recommended for the assembly of this product.
- Make sure that this product is stable & used only on a solid & flat surface.
- Do not use this product unless all screws and fixings are firmly secured.
- Do not leave children unsupervised! The product is not a climbing frame or a toy!
- Do not stand, sit or lean on this product.
- Do not use this product as a step ladder or as a chopping surface.
- Do not lift or move the product when it is loaded.
- Do not load more than a total of 100kg onto the unit, otherwise there is a risk of injury and/or damage to the product.
- Distribute weight evenly across the product so that it cannot overturn.
- Do not place hot items such as coffee cups directly on the surface(s) unless adequately thick table mats are used.
- Please periodically check all fittings and re-tighten as necessary.
- For Indoor & Domestic use only.

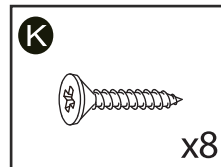
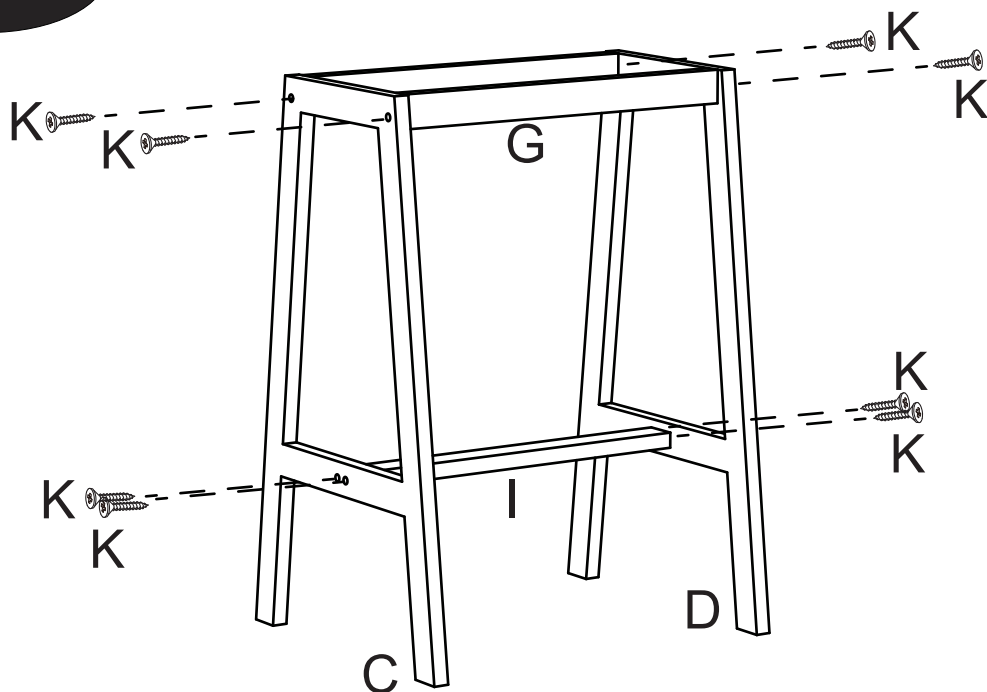
### **Care instructions:**

- Wipe clean with a dry cloth.
- Do not use scourers, abrasive or chemical solvents.
- Keep away from moisture and direct sunlight.
- Keep away from fire and inflammable objects.
- Store in a dry place.

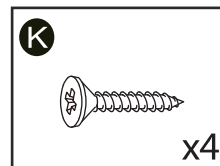
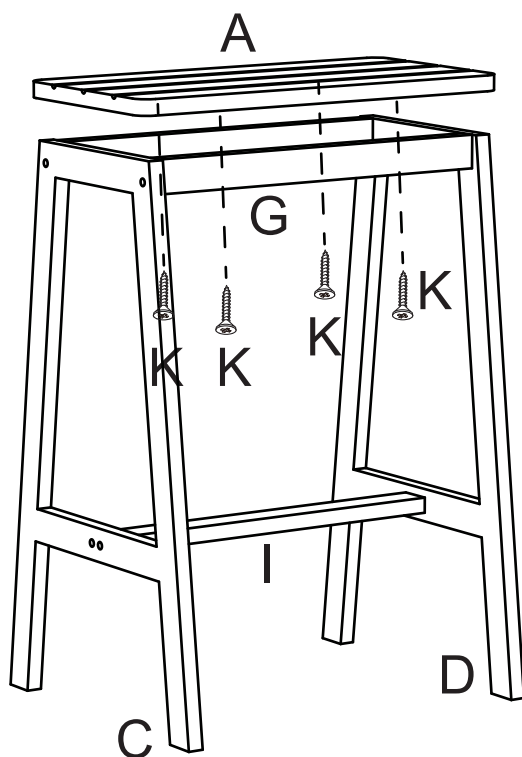
# SIMPLY FOLDAWAY STEP

Item Code: 428558  
Assembly Instructions

## STEP 1



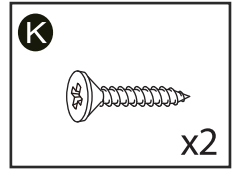
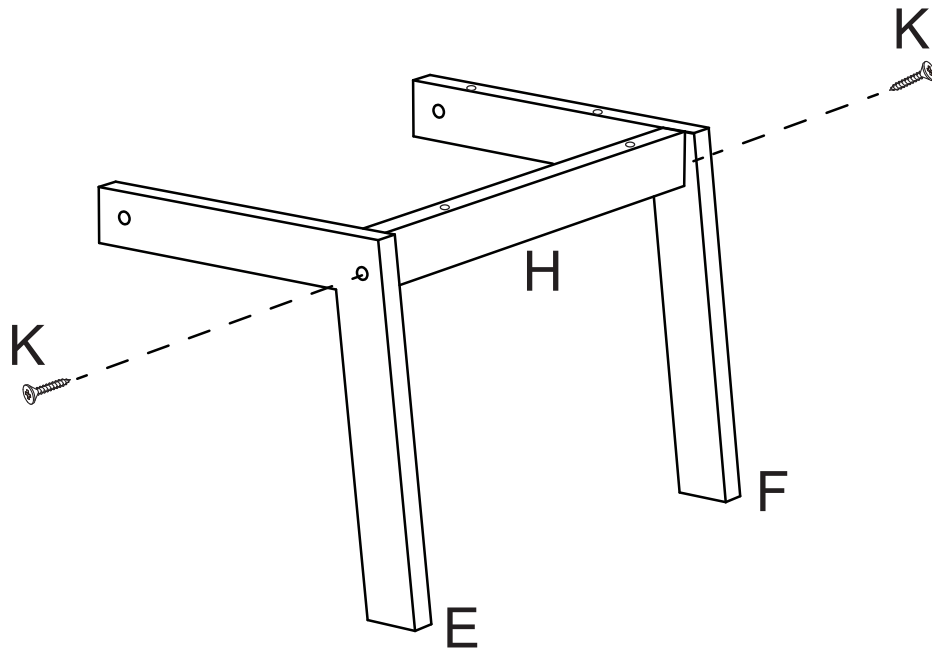
## STEP 2



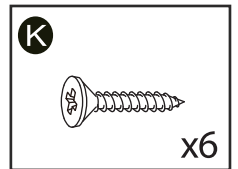
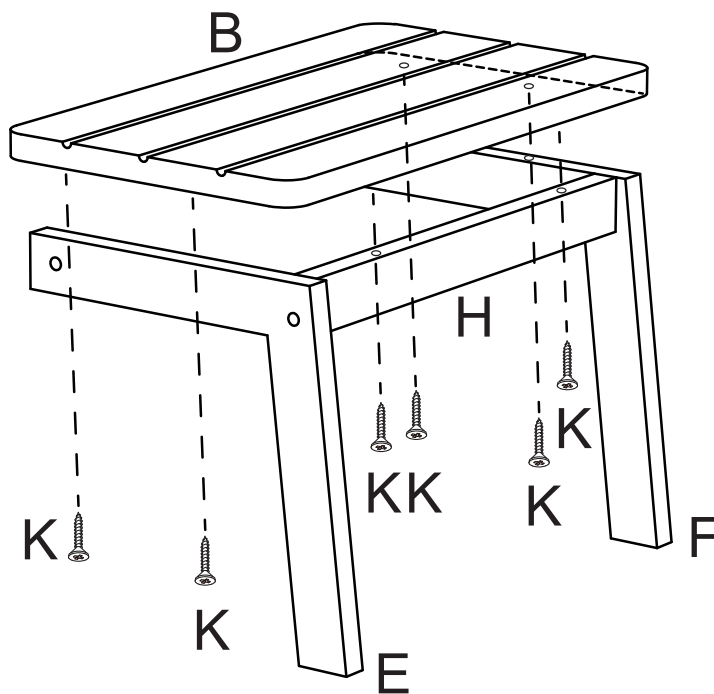
# SIMPLY FOLDAWAY STEP

Item Code: 428558  
Assembly Instructions

## STEP 3



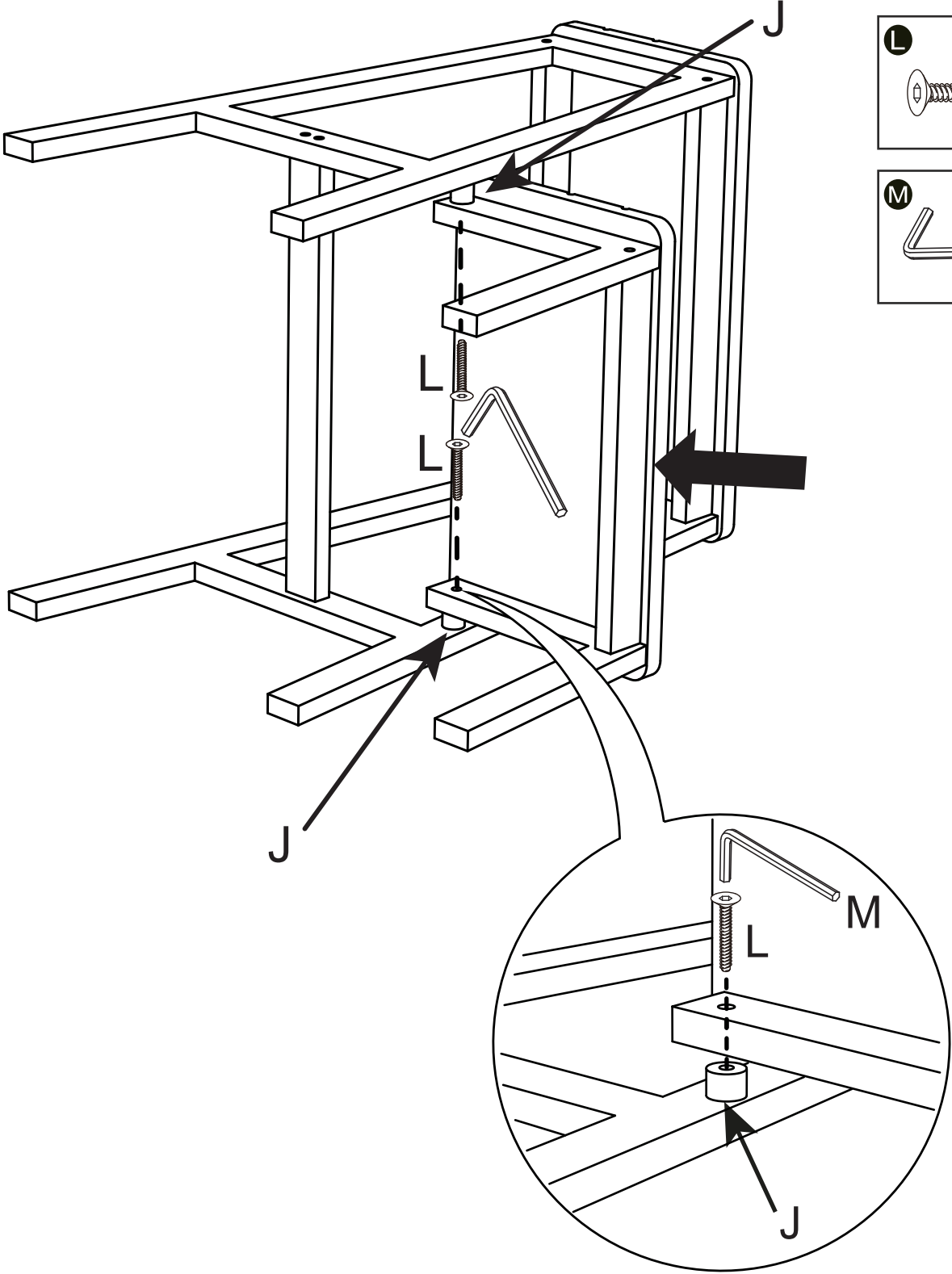
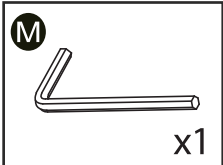
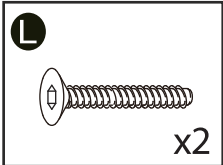
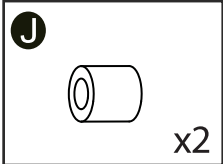
## STEP 4



# SIMPLY FOLDAWAY STEP

Item Code: 428558  
Assembly Instructions

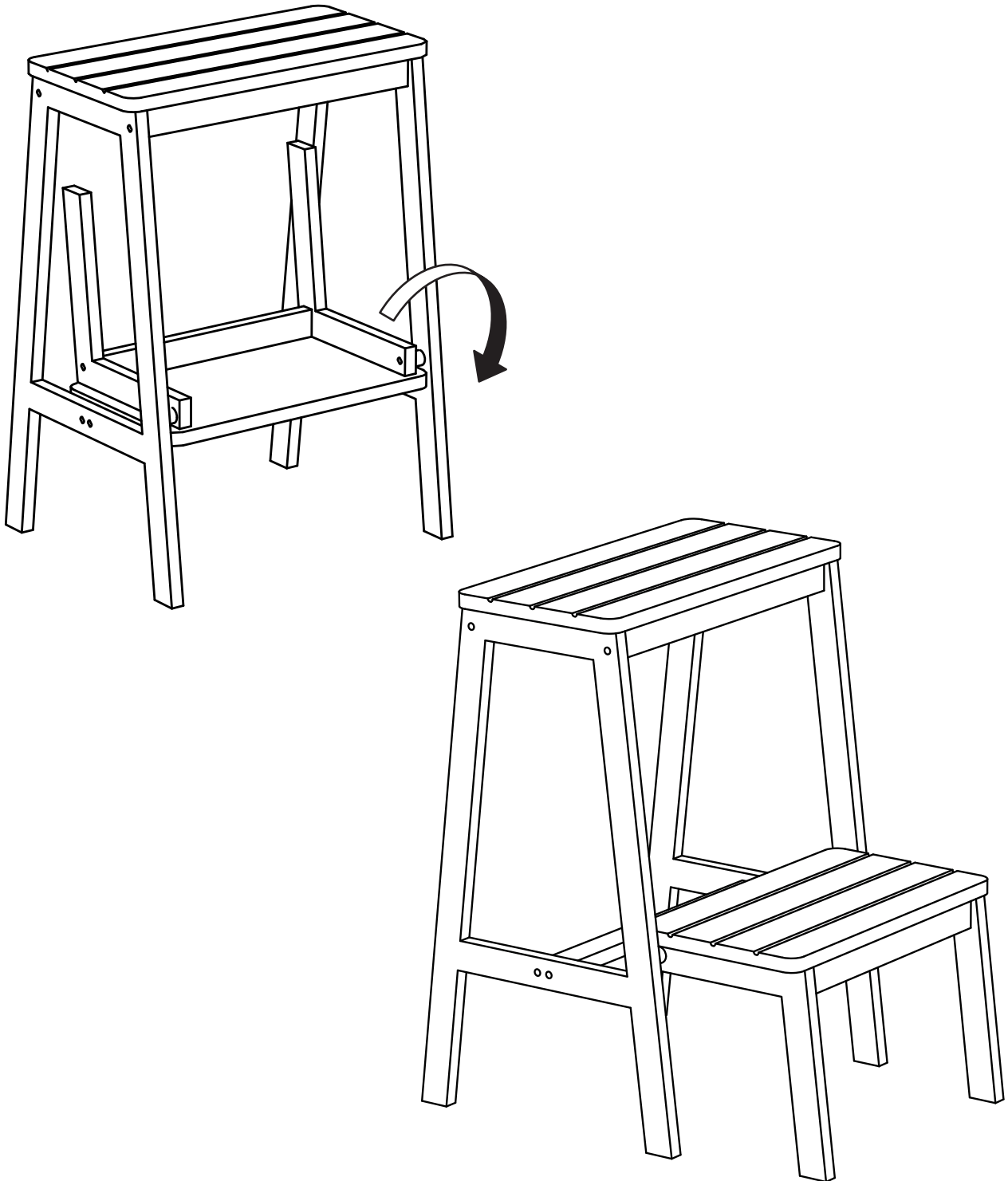
## STEP 5



# SIMPLY FOLDAWAY STEP

Item Code: 428558  
Assembly Instructions

## STEP 6



Domestic use only

B&M Retail, L24 8RJ, UK  
[www.bmstores.co.uk](http://www.bmstores.co.uk)  
B&M France SAS, 8 Rue du Bois Joli, 63800, France  
MADE IN CHINA

