



kidi&meTM
happy baby, happy parents

COT BED

ITEM CODE: 433209
Assembly Instructions

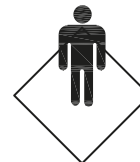
1.0hr

APPROXIMATE ASSEMBLY TIME

1 PERSON ASSEMBLY

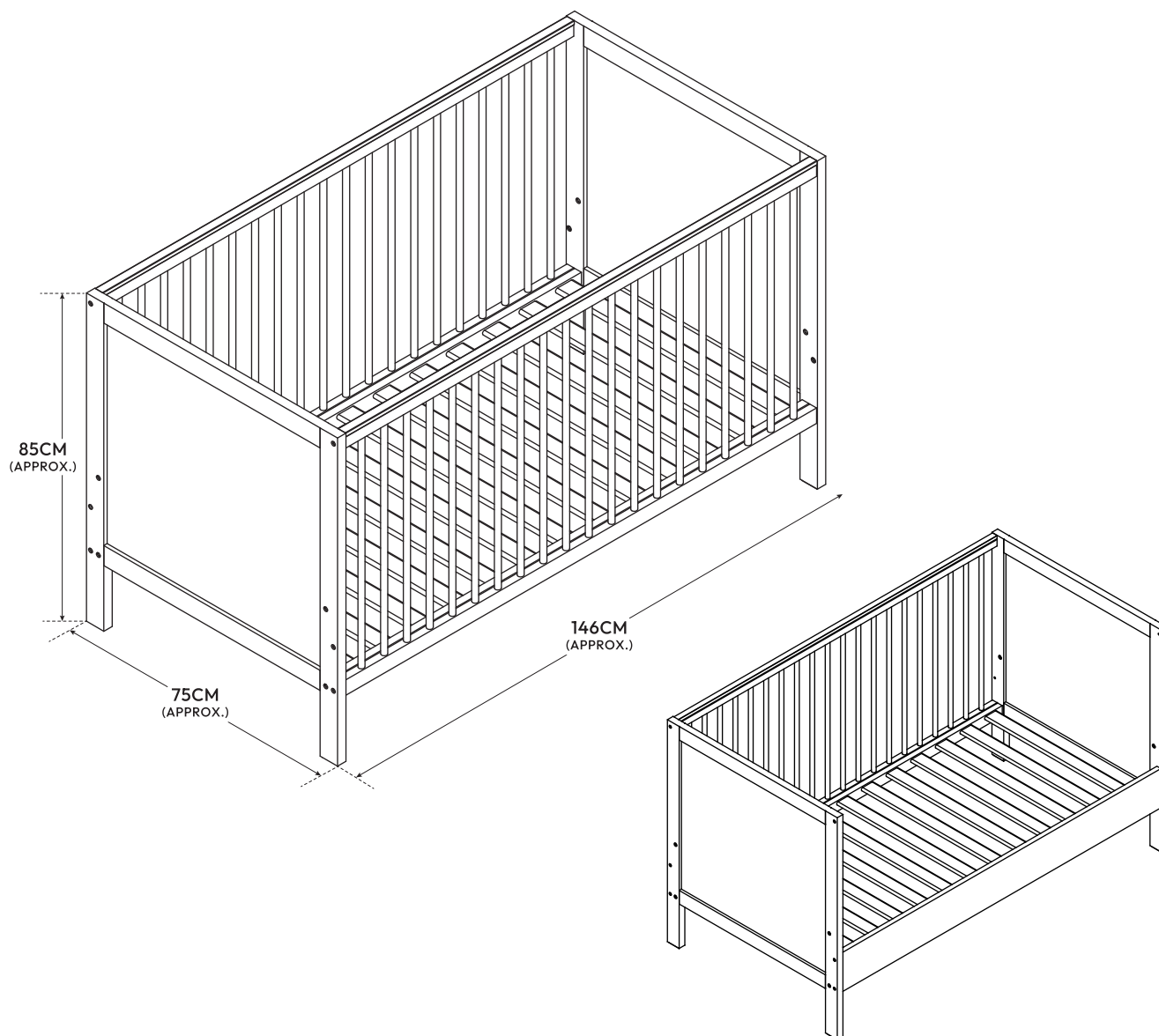


FLOOR AREA
2M X 2M



REQUIRED ASSEMBLY SPACE

ASSEMBLED DIMENSIONS



THIS PRODUCT IS INTENDED FOR INFANTS UP TO 3 YEARS OLD OR A MAXIMUM WEIGHT OF 30KG.

KIDI & ME COT BED

ITEM CODE: 433209

Assembly Instructions

IMPORTANT, RETAIN FOR FUTURE REFERENCE: READ CAREFULLY

SAFETY INFORMATION

TOP TIPS:

- Please check that all parts are present before you start the assembly of your furniture.
- For ease and speed of assembly, we recommend that before you commence each step of the assembly you identify all the parts required for that step.
- Please ensure that you have sufficient space and people to assemble your product safely.
- We recommend that, where possible, all items are assembled near to the area in which they will be placed in use, to avoid moving the product unnecessarily once assembled.
- For the protection of your furniture, we recommend that the product is placed on a protected surface during assembly to prevent any damage.
- We recommend that you use a mattress with dimension that fit for the cot and which is a maximum of W140 x D70 x H14cm.
- Maximum thickness of the mattress 14cm.

WARNING:

- Do not leave the child unattended.
- Adult assembly is required. An adult should care to check the assembly instruction before the product assembled.
- The unassembled product contains small parts that may pose a choking hazard.
- Children should be kept away from the product during assembly to avoid any possible risk of injury.
- Do not use power tools in the assembly of this product, as there is a risk of over-tightening and consequently splitting of the wood.
- This product is intend for infants up to 3 years old or a maximum weight of 30kg.
- The maximum child weight or load is 30KG. Otherwise, there is a risk of injury and/or damage to the product.
- Please remove all packaging and packing tags/wires before presenting to a child.
- Packaging is not a toy.
- Always place the product on a flat, steady and stable surface to prevent tipping over.
- This product is intended for indoor, household use only.
- All necessary fittings shall always be correctly tightened and checked regularly.
- Be aware of the risk of open fires and other sources of strong heat, such as electric bar fires, gas fires, ect. in the near vicinity of the cot.
- Do not use the cot if any part is broken, torn or missing and use only spare parts approved by manufacturer.
- Do not leave anything in the cot or place the cot close to another product, which could provide a foothold or present a danger of suffocation or strangulation, e.g. strings, blind/curtain cords.
- Do not use more than one mattress in the cot.
- The lowest position is safest and that the base should always be used in that position as soon as the baby is old enough to sit up.
- Thickness of the mattress shall be such that the internal height (surface of the mattress to the upper edge of the cot frame) is at least 500 mm in the lowest position of the cot base and at least 200 mm in the highest position of the cot base.
- The minimum size of the mattress to be used with the cot. The dimension shall take into account that there shall be no gap more than 30mm between the mattress and the sides end ends in any position of the mattress.
- When the child is able to climb out of the cot, the cot shall no longer be used for that child.
- Cot conforms to EN 716-1-2017 + AC-2019

FALL HAZARD:

- When the child is able to pull to a standing position, set the mattress to the lowest position and remove bumper pads, large toys and other objects that could serve as steps for climbing out.
- When the child is able to climb or reaches the height of 90cm, the cot shall no longer be used.
The child should be placed in a youth regular bed.

CARE AND MAINTENANCE:

- To clean, wipe down with a soft cloth and soapy water. Dry naturally.
- Do not use cleaning products which contain ammonia, solvents or abrasive material.
- Do not place hot items (e.g. hot drinks) directly on the surface.
- Do not drag and pull your furniture.
- Re-tighten all connectors bolts/screws, as some may loosen as the cot settles.
- Regularly check all of the connecting bolts/screws, making sure they are tight.
- It is important that the humidity levels in the room be controlled from extremes of too much humidity or too little. This product should not be placed directly next to air conditioning, outlets, fire places, radiators, space heaters, humidifiers, or dehumidifiers. Exposure to extreme variations of temperature and humidity can damage wood products.

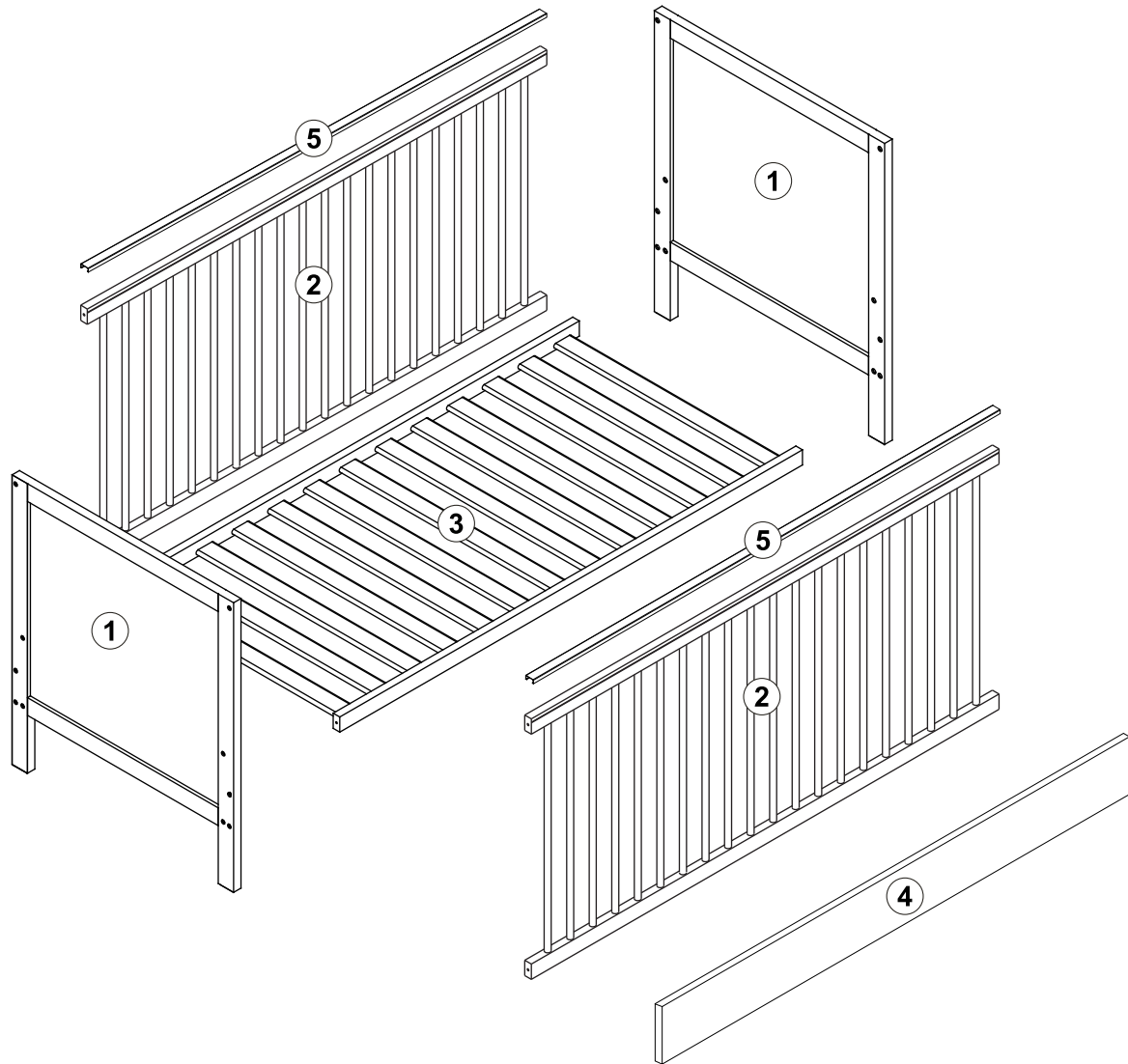
KIDI & ME COT BED

ITEM CODE: 433209

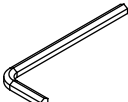
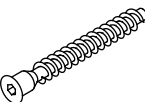


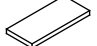
Assembly Instructions

NO	PART LIST	QTY	NO	PART LIST	QTY
①	HEADBOARD	2	④	SIDE PANEL FOR BED USE	1
②	SIDE PANEL	2	⑤	CLEAR TEething RAIL	2
③	MATTRESS BASE	1			

PART LIST



HARDWARE LIST

A	x2	B	x12	C	x8	D	x8	E	x4
									
ALLEY KEY		BOLT		CAPPING SCREW		RIVET NUT		FLOOR	

KIDI & ME COT BED

ITEM CODE: 433209

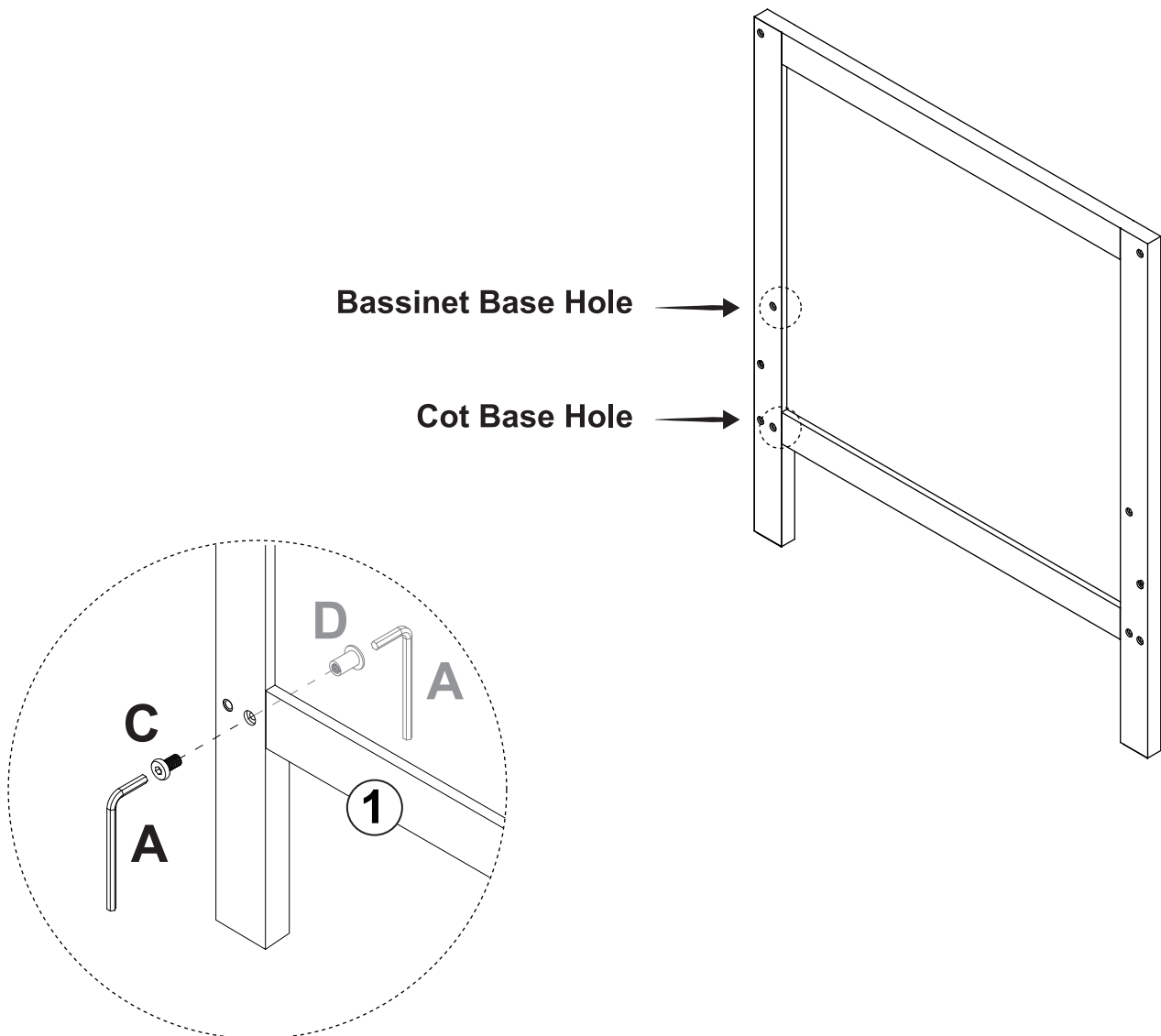
Assembly Instructions

WARNING:

Fit capping screws to alternate base holes to avoid little fingers getting stuck.

For newborn babies up to 6 months that cannot sit up attach the base using the upper “Bassinet Base Holes” and connect the capping screws to the lower “Cot Base Holes”.

For babies over 6 months or babies that can sit up attach the base using the lower “Cot Base Holes” and connect the capping screws to the upper “Bassinet Base Holes”.

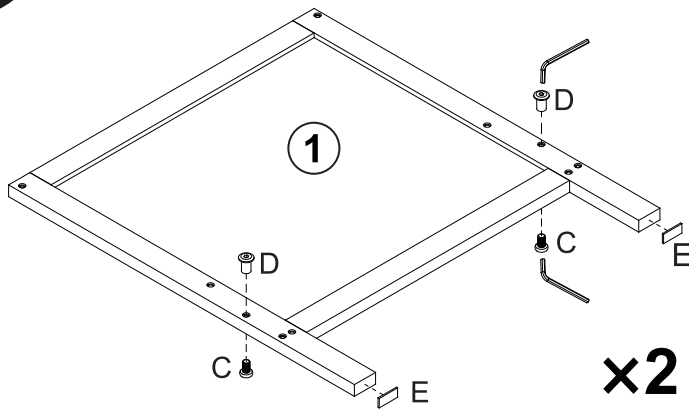






KIDI & ME COT BED

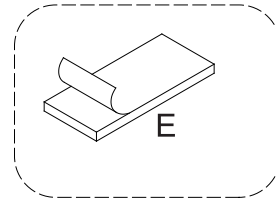
ITEM CODE: 433209

Assembly Instructions

STEP 1

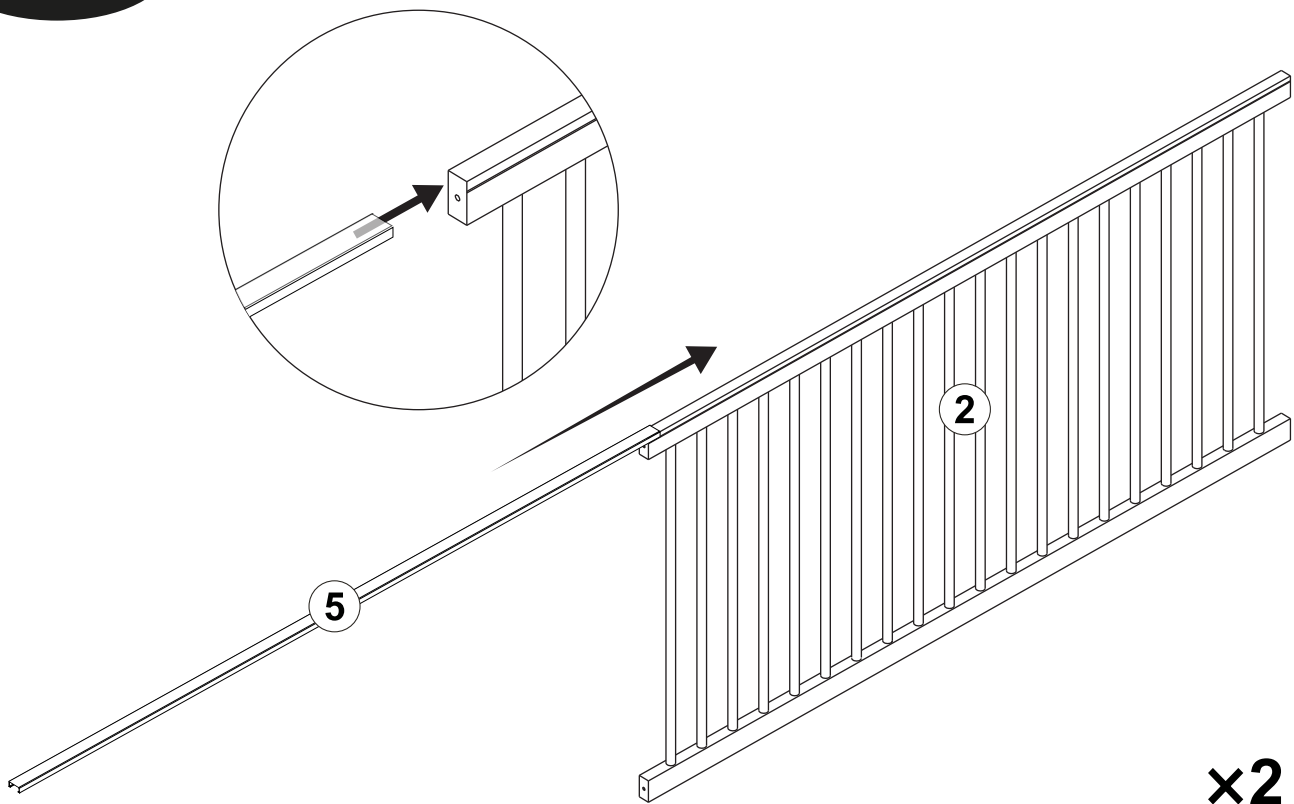


	A x 2
	C x 4
	D x 4
	E x 4



Fit capping screws to alternate base holes to avoid little fingers getting stuck.

STEP 2

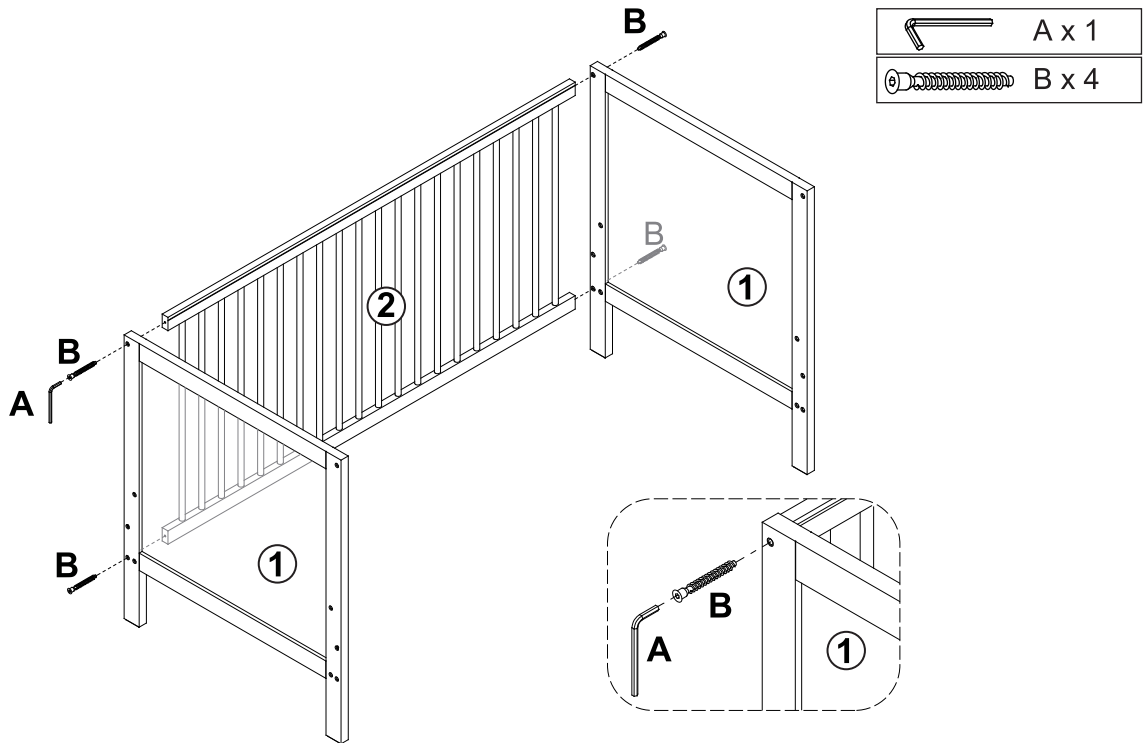


KIDI & ME COT BED

ITEM CODE: 433209

Assembly Instructions

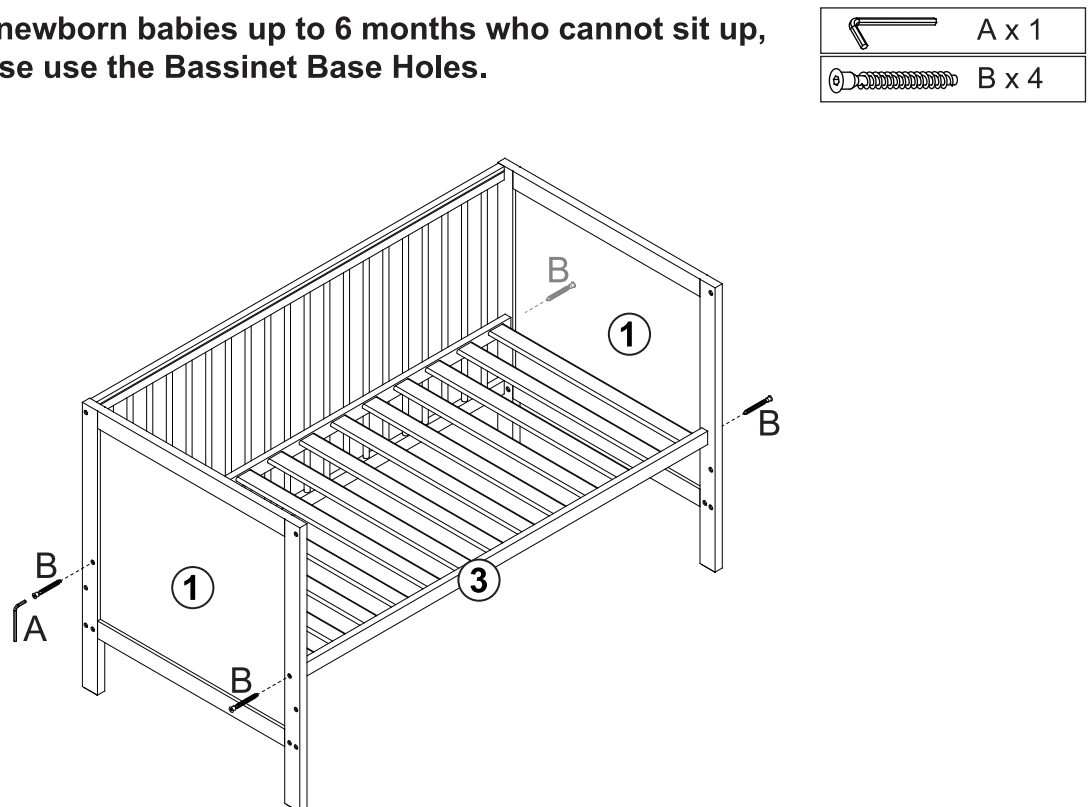
STEP 3



Do not fully tighten screws.

STEP 4

For newborn babies up to 6 months who cannot sit up, please use the Bassinet Base Holes.




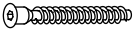
Do not fully tighten screws.

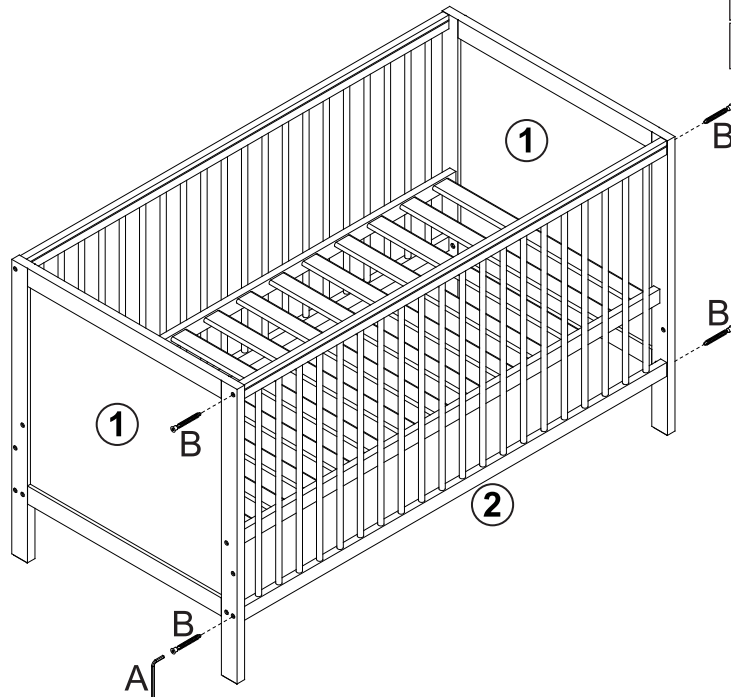
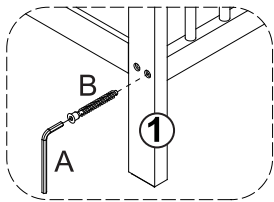
KIDI & ME COT BED

ITEM CODE: 433209

Assembly Instructions




STEP 5

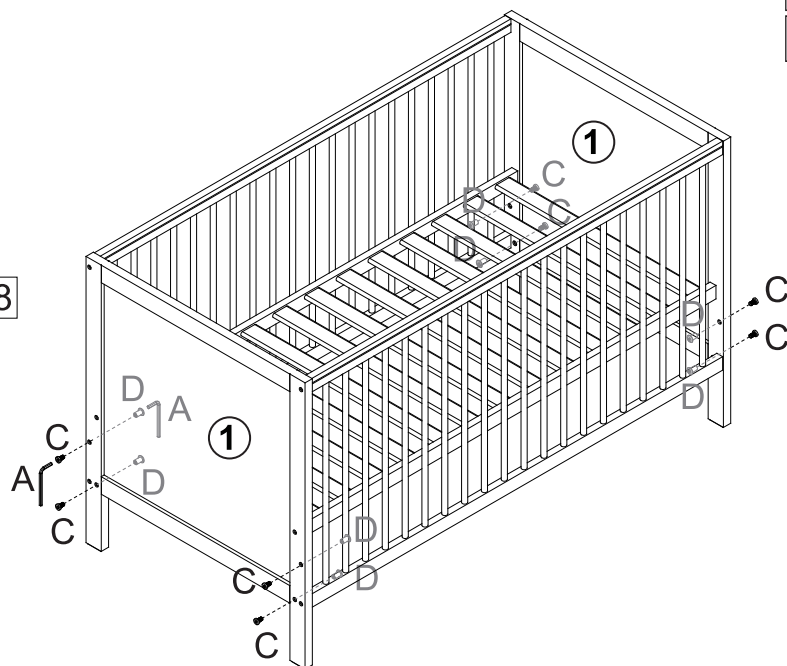
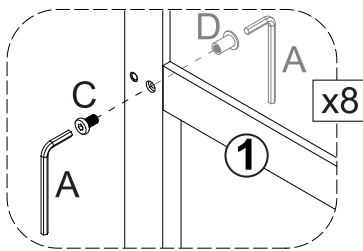
	A x 1
	B x 4



Tighten all screws firmly, but do not overtighten.

STEP 6

	A x 2
	C x 8
	D x 8



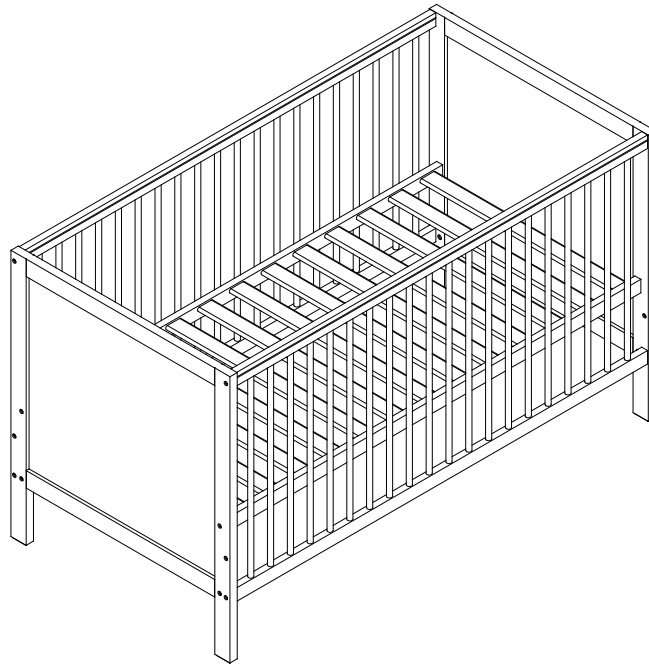
Fit capping screws to alternate base holes to avoid little fingers getting stuck.

KIDI & ME COT BED

ITEM CODE: 433209

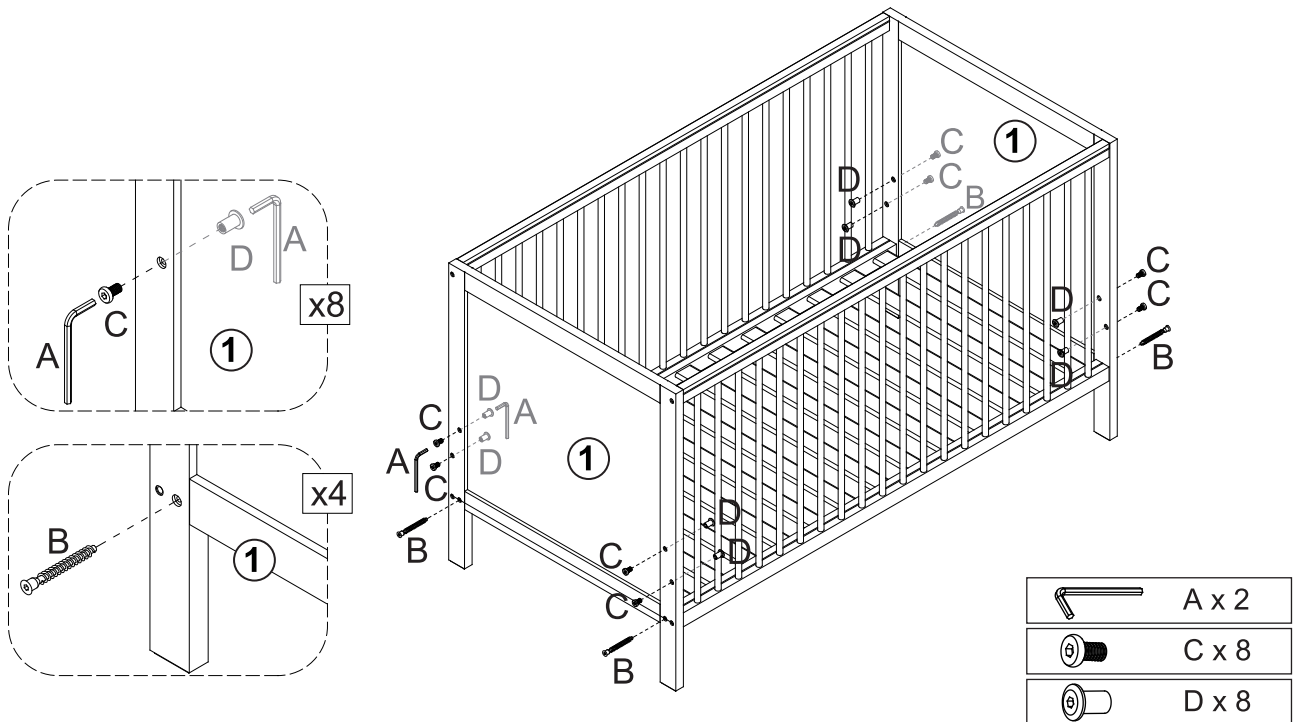
Assembly Instructions

STEP 7



STEP 8

For babies over 6 months or babies that can sit up, please use Cot Base Holes. Remove all screws for Mattress Base (Part 3), then follow the step below.



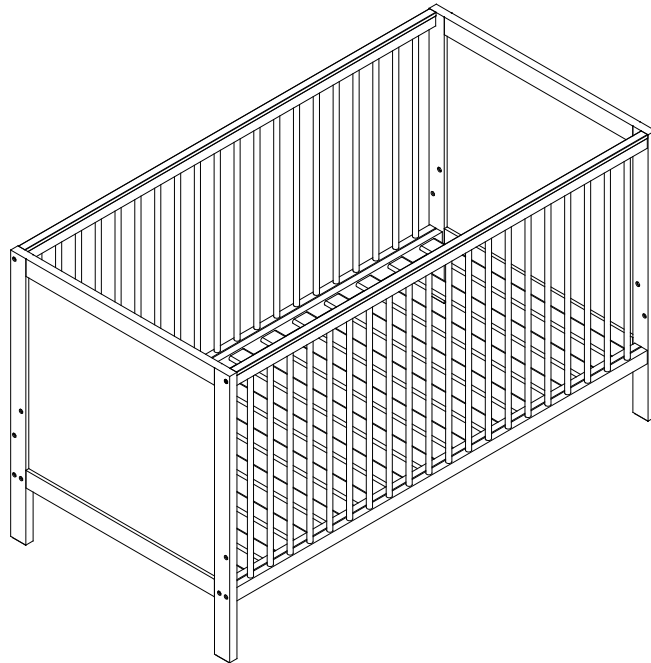
Tighten all screws firmly, but do not overtighten.
Fit capping screws to alternate base holes to avoid little fingers getting stuck.

KIDI & ME COT BED

ITEM CODE: 433209

Assembly Instructions

STEP 9

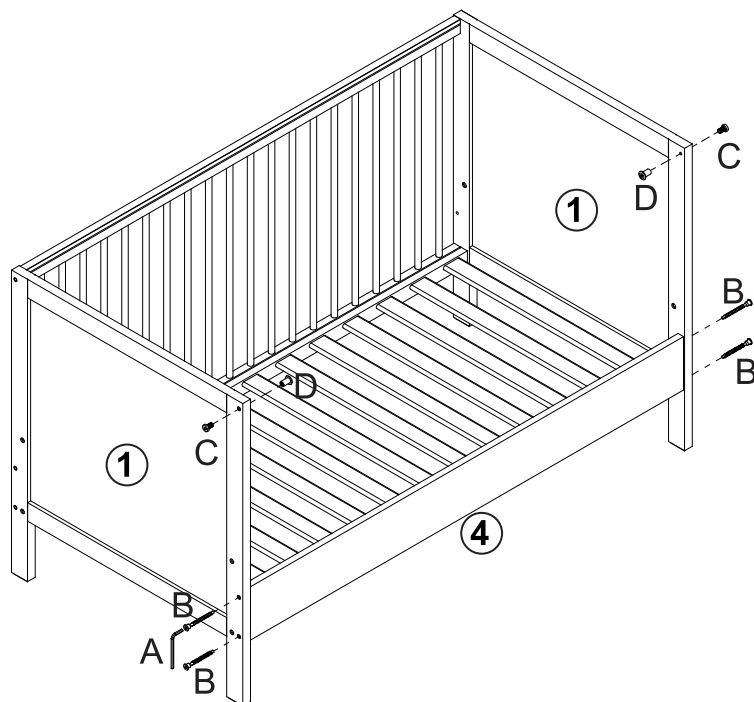
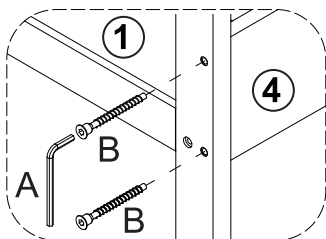
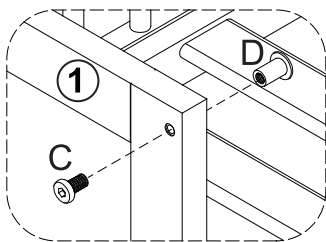



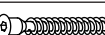


STEP 10

Convert Cot to Bed

The cot converts into bed suitable for child from about 18 months or a maximum weight of 30KG.

Unassemble one side of the side panel (Part 2) & capping screws, then follow the step below.



	A x 1
	B x 4
	C x 2
	D x 2

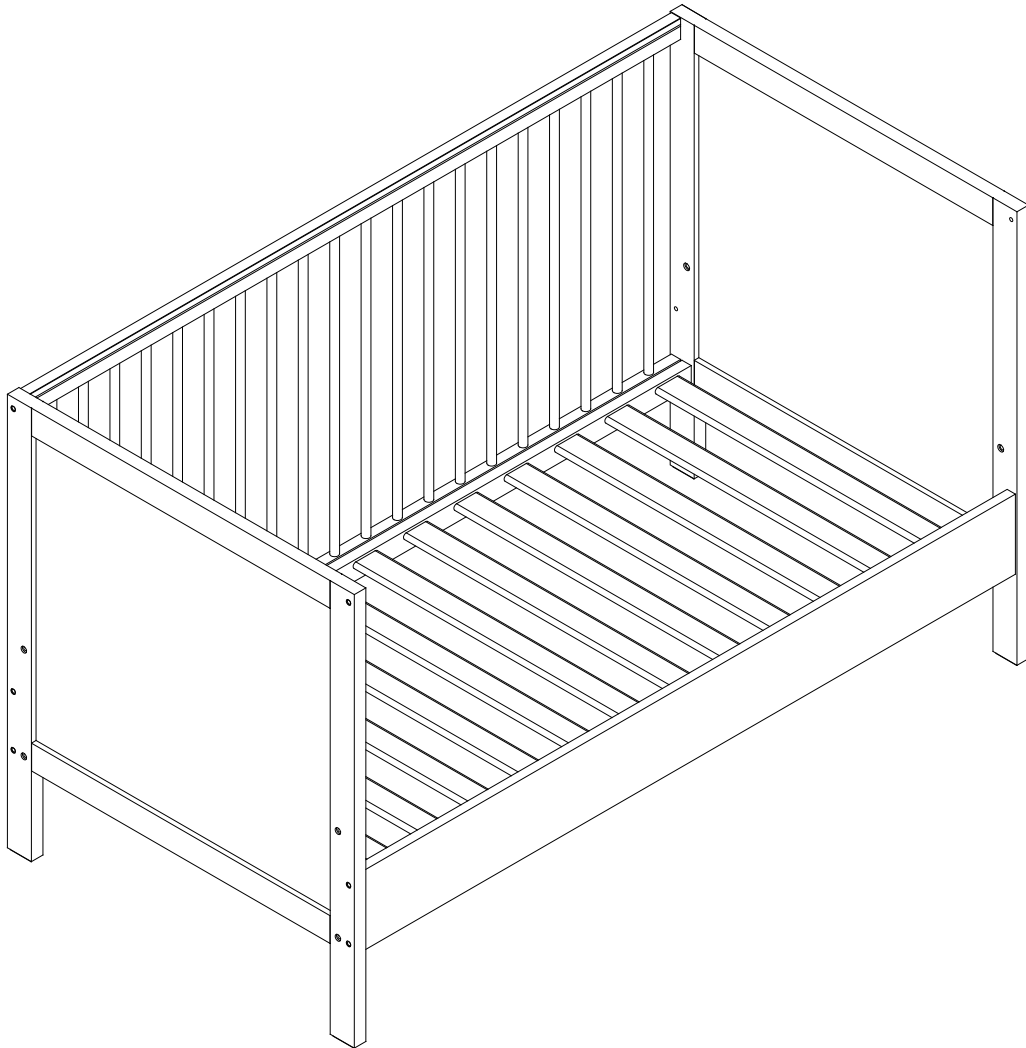
Tighten all screws firmly, but do not overtighten.

Fit capping screws to alternate base holes to avoid little fingers getting stuck.

KIDI & ME COT BED

ITEM CODE: 433209

Assembly Instructions



B&M Retail, L24 8RJ, UK

www.bmstores.co.uk

B&M France SAS,

8 Rue du Bois Joli, 63800, France

MADE IN CHINA

Domestic Use Only