



kidi&meTM
happy baby, happy parents

DOUBLE WARDROBE

ITEM CODE: 433213

Assembly Instructions

1.5hr

APPROXIMATE ASSEMBLY TIME

2 PEOPLE ASSEMBLY

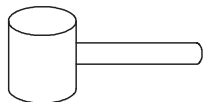


FLOOR AREA
2.5M X 2M

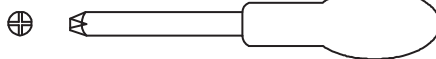


REQUIRED ASSEMBLY SPACE

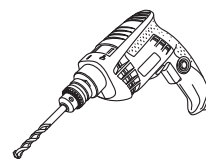
REQUIRED ASSEMBLY TOOLS



SOFT RUBBER HAMMER (Not Included)

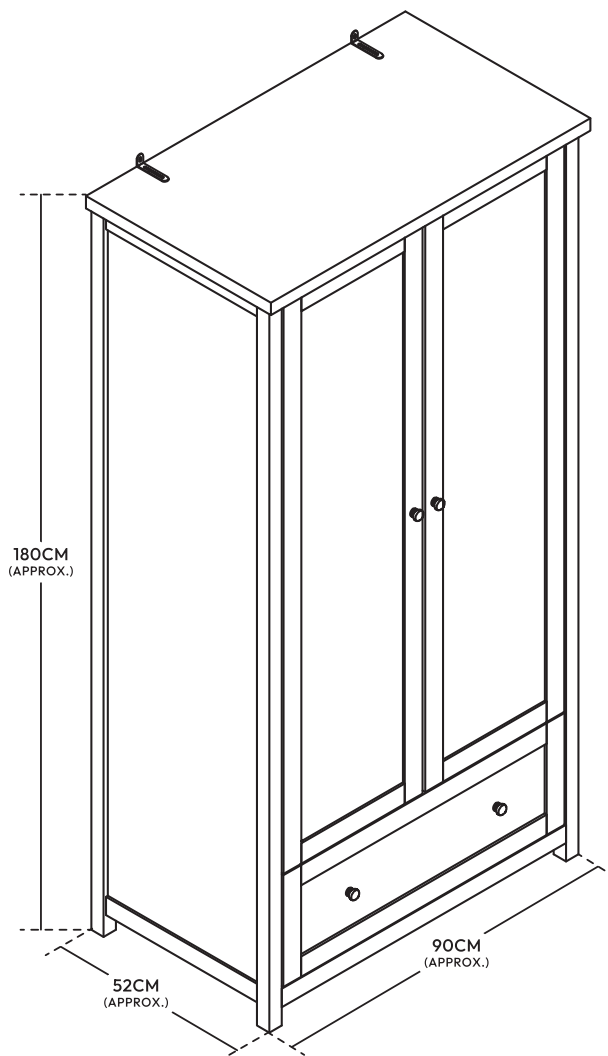


POZI SCREWDRIVER (Not Included)



(Not Provided)

ASSEMBLED DIMENSIONS



MAX. LOADING: 20KG (SHELF: 5KG, HANGING RAIL: 5KG EACH, DRAWER: 5KG)

KIDI & ME DOUBLE WARDROBE

ITEM CODE: 433213

Assembly Instructions

IMPORTANT: RETAIN THESE INSTRUCTIONS FOR FUTURE REFERENCE.

SAFETY INFORMATION

Top Tips:

- Please check that all parts are present before you start the assembly of your furniture.
- For ease and speed of assembly, we recommend that before you commence each step of the assembly you identify all the parts required for that step.
- Please ensure that you have sufficient space and people to assemble your product safely.
- We recommend that, where possible, all items are assembled near to the area in which they will be placed in use, to avoid moving the product unnecessarily once assembled.
- For the protection of your furniture, we recommend that the product is placed on a protected surface during assembly to prevent any damage.

Warning:

- Do not leave the child unattended.
- Adult assembly is required. An adult should care to check the assembly instruction before the product is assembled.
- The unassembled product contains small parts that may pose a choking hazard.
- Children should be kept away from the product during assembly to avoid any possible risk of injury.
- Do not use power tools in the assembly of this product, as there is a risk of over-tightening and consequently splitting of the wood.
- Do not use this product if any components are missing or damaged.
- Please remove all packaging and packing tags/wires before presenting to a child.
- Packaging is not a toy.
- Always place the product on a flat, steady and stable surface to prevent tipping over.
- This product is intended for indoor, household use only.
- To prevent overturning, this product must be fixed to the wall for safe use.
- Be aware of the risk of open fires and other sources of strong heat, such as electric bar fires, gas fires, ect. in the near vicinity of this product.

Care and Maintenance:

- To clean, wipe down with a soft cloth and soapy water. Dry naturally.
- Do not use cleaning products which contain ammonia, solvents or abrasive material.
- Do not place hot items (e.g. hot drinks) directly on the surface.
- Do not drag and pull your furniture.
- All necessary fittings shall always be correctly tightened and checked regularly.
- It is important that the humidity levels in the room be controlled from extremes of too much humidity or too little. This product should not be placed directly next to air conditioning, outlets, fire places, radiators, space heaters, humidifiers, or dehumidifiers. Exposure to extreme variations of temperature and humidity can damage wood products.

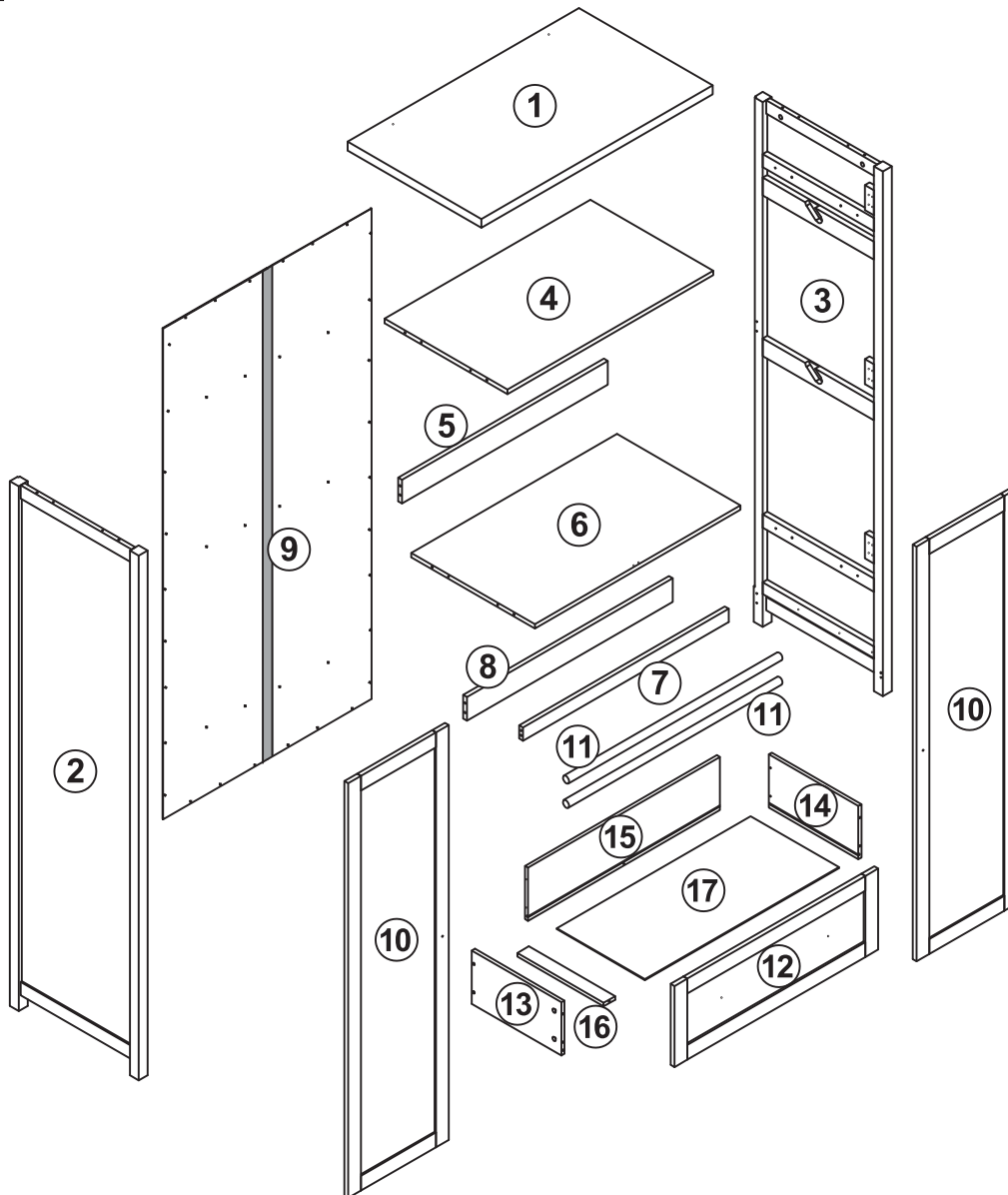
KIDI & ME DOUBLE WARDROBE

ITEM CODE: 433213

Assembly Instructions

NO	PART LIST	QTY	NO	PART LIST	QTY
①	TOP PANEL	1	⑩	FRONT DOOR	2
②	LEFT SIDE PANEL	1	⑪	HANGING RAIL	2
③	RIGHT SIDE PANEL	1	⑫	DRAWER FRONT PANEL	1
④	TOP SHELF PANEL	1	⑬	DRAWER LEFT SIDE PANEL	1
⑤	BACK SIDE TOP BAR	1	⑭	DRAWER RIGHT SIDE PANEL	1
⑥	MIDDLE SHELF PANEL	1	⑮	DRAWER BACK SIDE PANEL	1
⑦	FRONT SIDE BOTTOM BAR	1	⑯	DRAWER SUPPORT BAR	1
⑧	BACK SIDE BOTTOM BAR	1	⑰	DRAWER BOTTOM PANEL	1
⑨	BACK PANEL	1			





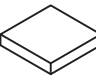















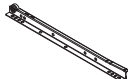
PART LIST



KIDI & ME DOUBLE WARDROBE

ITEM CODE: 433213
 Assembly Instructions

HARDWARE LIST

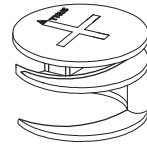
A	x27	B	x27	C	x14	D	x16	E	x4	F	x2	G	x6
													
QUICK FIT		CAM-LOCK		WOOD DOWEL		SCREW 3*12mm		FLOOR PROTECTOR		SCREW 4*35mm		HINGE	
H	x2	I	x5	J	x4	K	x2	L	x42	M	x36	N	x2
													
SCREW 4*18mm		SCREW 4*35mm		KNOB		DOOR STOPPER		SCREW 3*14mm		SCREW 4*12mm		SCREW 4*12mm	
O	x2	P	x2	Q	x2	CL	x1	CR	x1	DL	x1	DR	x1
													
WALL MOUNT		WALL PLUG		SCREW 4*16mm		DRAWER RUNNER		DRAWER RUNNER		DRAWER RUNNER		DRAWER RUNNER	

KIDI & ME DOUBLE WARDROBE

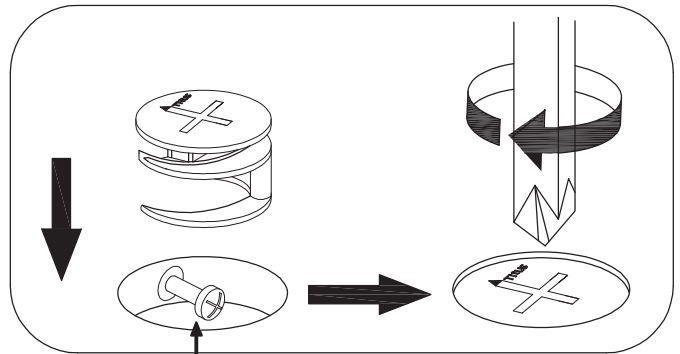
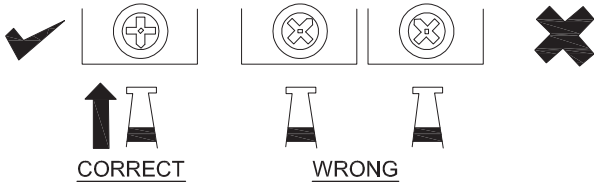
ITEM CODE: 433213
Assembly Instructions

SPECIAL TIPS FOR FITTING CAM-LOCKS AND QUICKFIT

CAM-LOCK



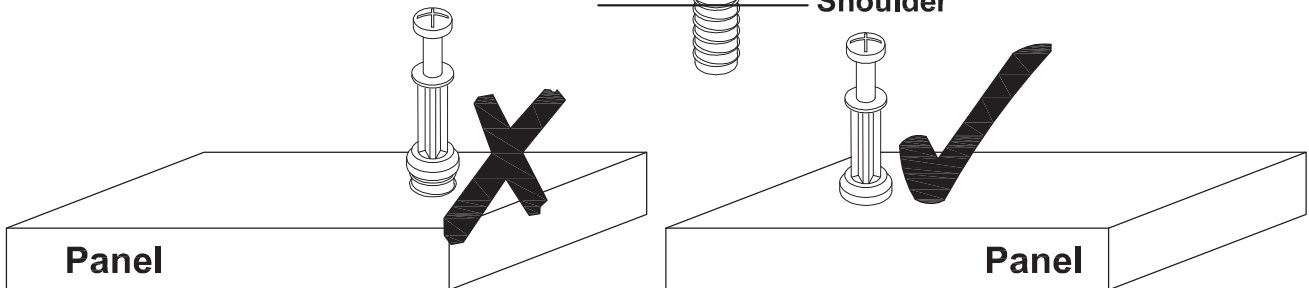
WHEN FITTING CAMLOCK
ENSURE STARTING POSITION IS CORRECT
BEFORE YOU INSERT CONNECTING QUICKFIT
TURN CLOCKWISE UNTIL SECURE



Quickfit head needs to be in centre

QUICKFIT

Tighten until shoulder is flush with panel. Do not overtighten or leave too loose.
(see example below)



KIDI & ME DOUBLE WARDROBE

ITEM CODE: 433213

Assembly Instructions

NOTE: Supplied wall plugs are only suitable for use in masonry walls.

If you have any doubts about using the correct plug for your wall, please seek professional advice. Failure of the product due to using incorrect fixings is the responsibility of the installer.



IMPORTANT:

When drilling into walls, always check for hidden wires or pipes, etc.



Tips & Tricks

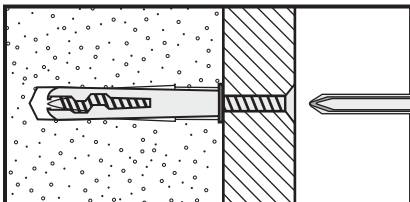
Make sure that the hardware used is suitable for supporting your unit.

Please consult a qualified tradesperson if unsure.

- If you are unsure, please select a larger screw and wall plug.
- Ensure that you use the recommended drill bit to match the wall plug and hole size.
- Take extra care when drilling high walls, ceiling and ceramic tiles. Ensure wall plugs are inserted beyond the thickness of the ceramic tiles to avoid splitting or cracking.
- Ensure that wall plugs are well fitted and are a tight fit in the drilled hole.

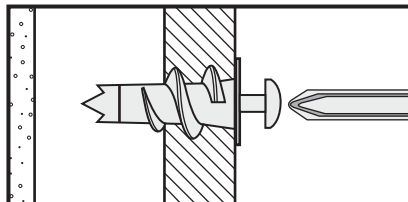
Types Of Walls

Use one of the following types of wall plug (not included) if your walls are made of brick, breeze block, concrete, stone or wood. Screws may be able to be fixed directly to solid wood walls as they will provide a secure anchor point.



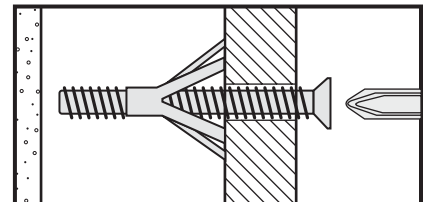
1. General Purpose Wall Plug

Generally, aerated blocks should not be used to support heavy loads, use a specialist fitting in this case. For light loads, general purpose wall plugs can be used.



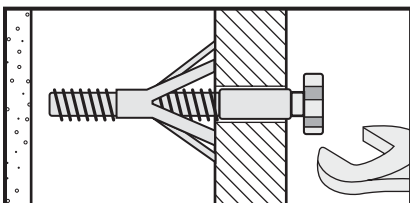
2. Plasterboard Wall Plug

For use when attaching light loads onto plasterboard partitions.



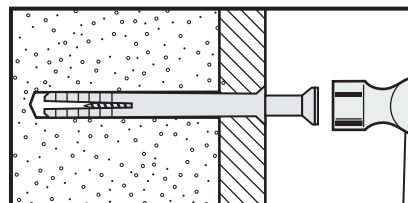
3. Cavity Fixing Wall Plug

For use with plasterboard partitions or hollow wooden doors.



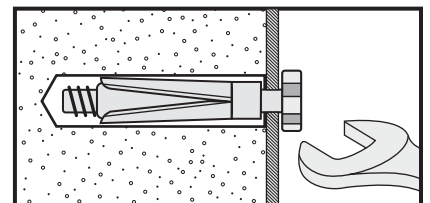
4. Cavity Fixing Heavy Duty Wall Plug

For use when fitting or supporting heavy loads such as shelving and wall cabinets.



5. Hammer Fixing Wall Plug

For use with concrete block or brick walls, or walls stuck with plasterboard. The hammer fixing allows it to be fixed to the wall rather than the plasterboard. Always check the fixing is secure to the retaining wall.



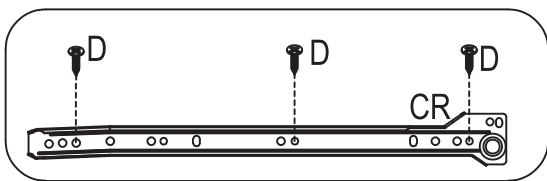
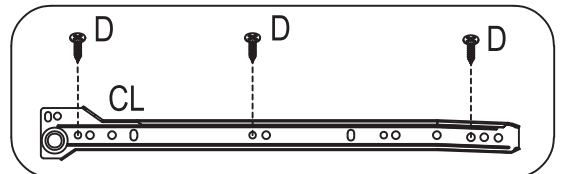
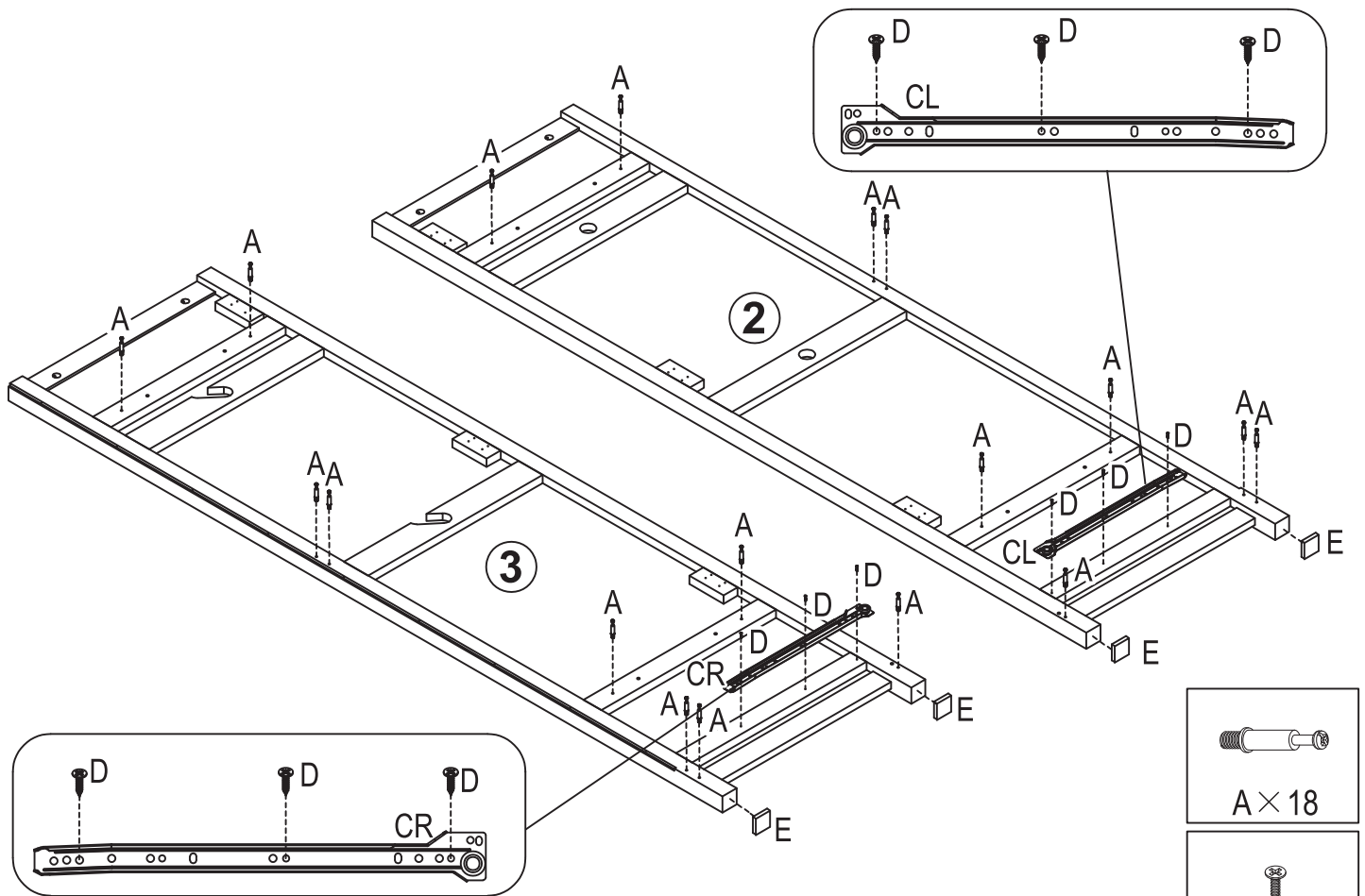
6. Shield Anchor Wall Plug Heavy Loads

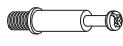




For use with concrete or brick walls, or for use with heavier loads such as TV & HiFi speakers and satellite dishes, etc.

KIDI & ME DOUBLE WARDROBE

ITEM CODE: 433213
Assembly Instructions

STEP 1

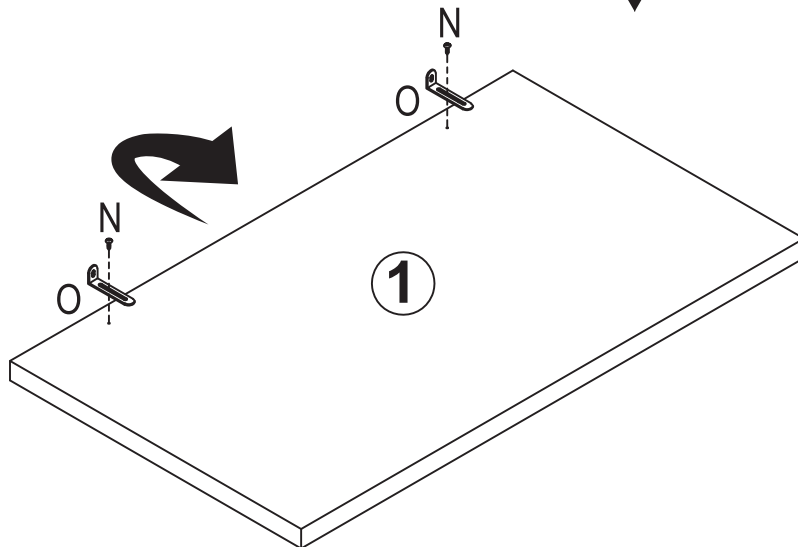
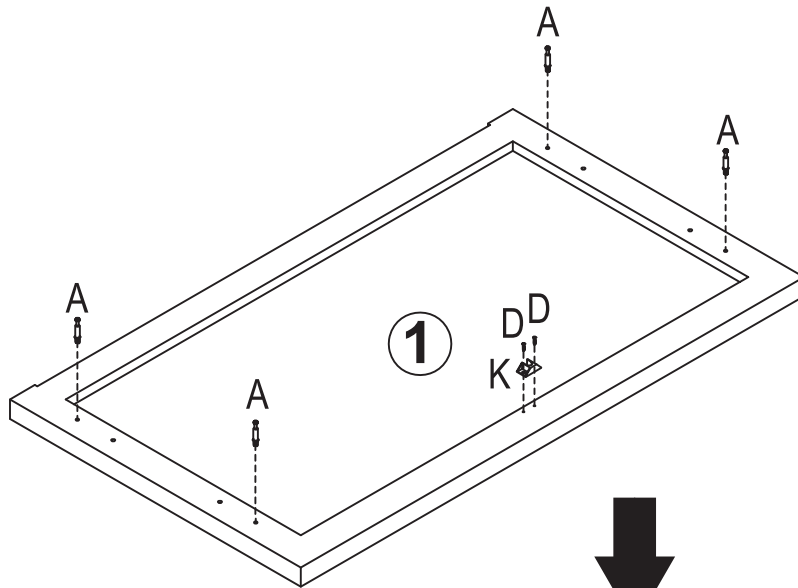
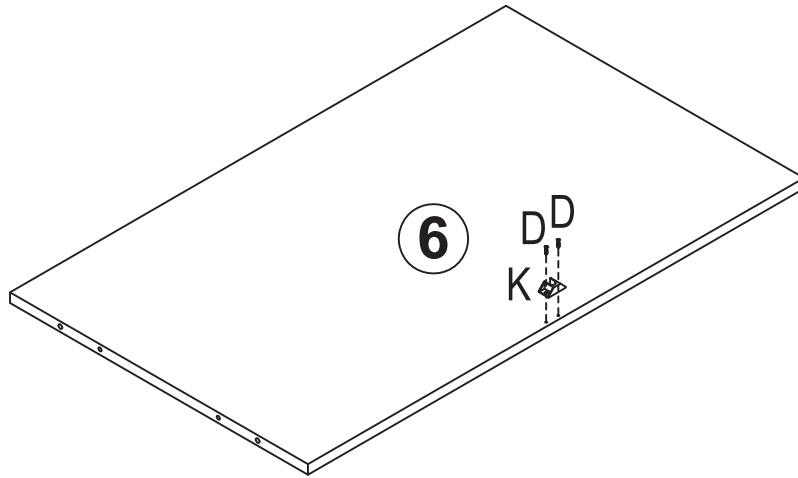


- 
A × 18
- 
D × 6
- 
E × 4
- 
CL × 1
- 
CR × 1

KIDI & ME DOUBLE WARDROBE

ITEM CODE: 433213
Assembly Instructions

STEP 2



A × 4



D × 4



K × 3



N × 2

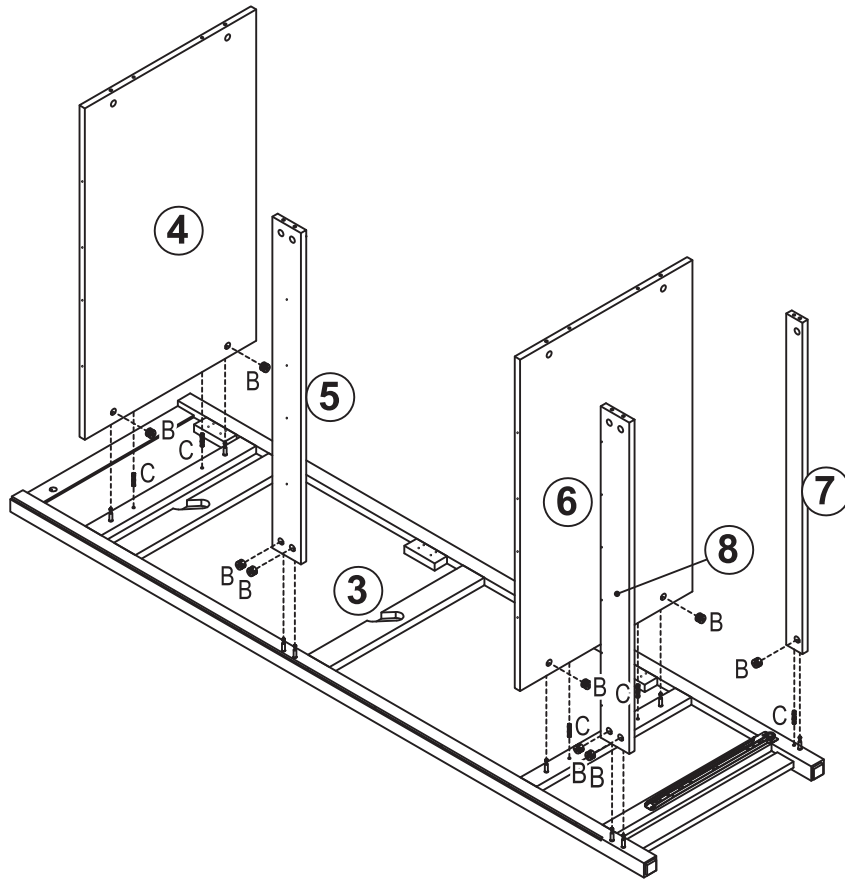


O × 2

KIDI & ME DOUBLE WARDROBE

ITEM CODE: 433213
Assembly Instructions

STEP 3

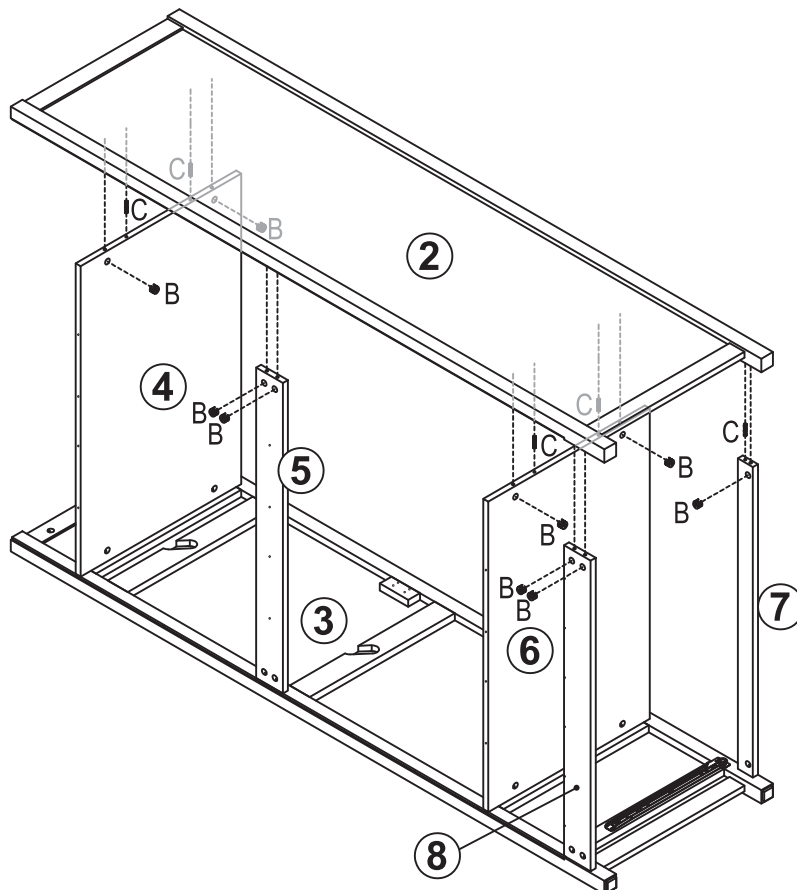


B × 9



C × 5

STEP 4



B × 9

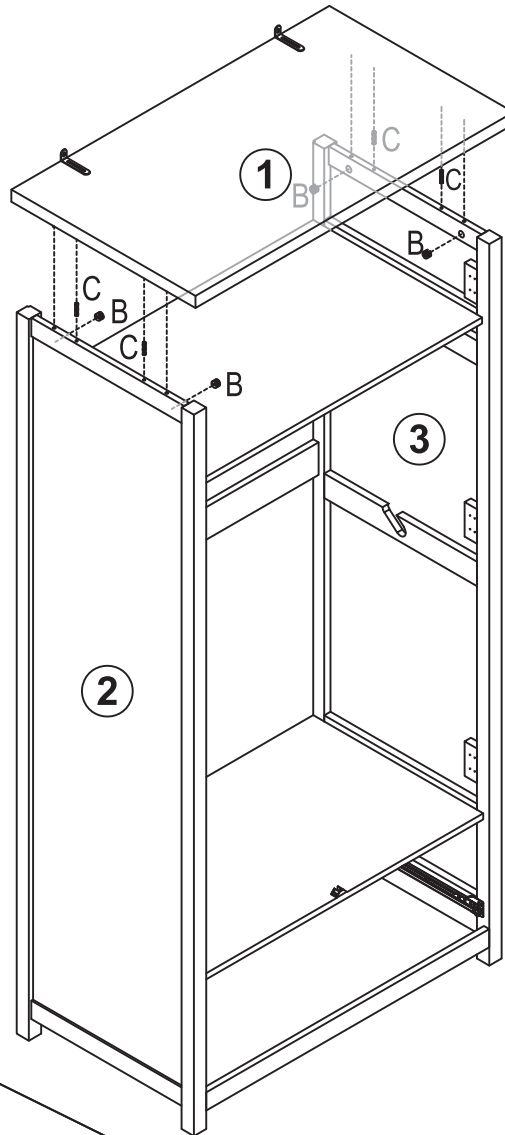


C × 5

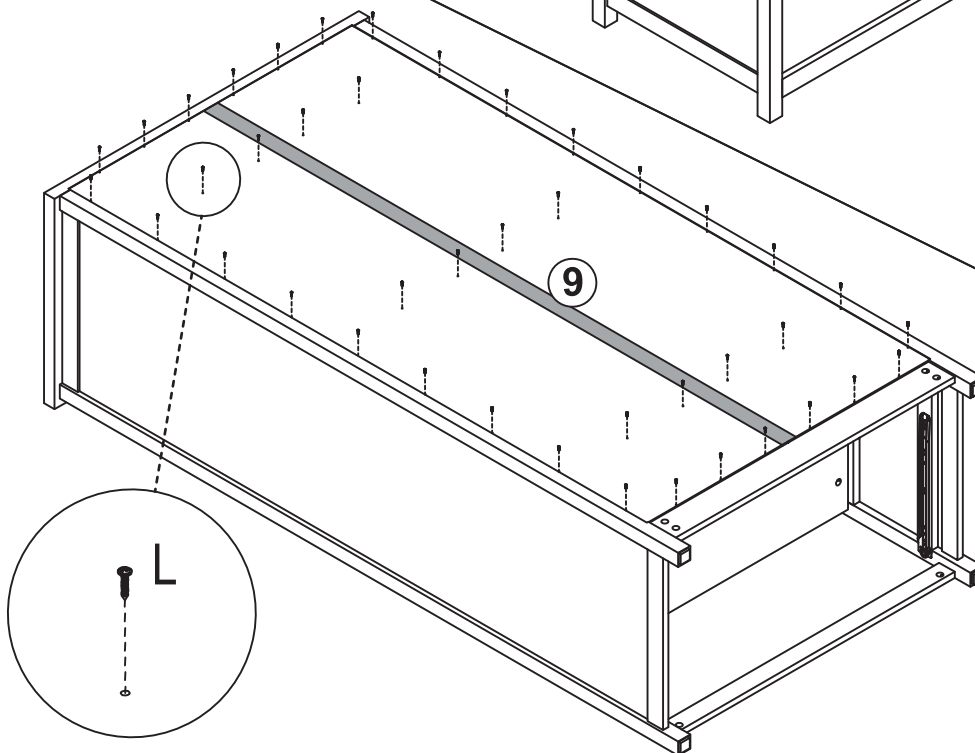
KIDI & ME DOUBLE WARDROBE

ITEM CODE: 433213
Assembly Instructions

STEP 5



STEP 6

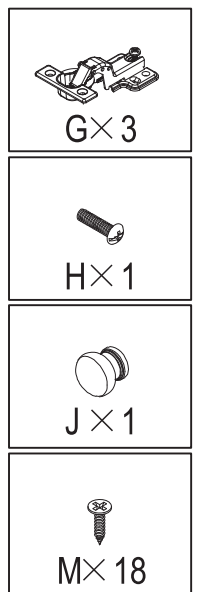
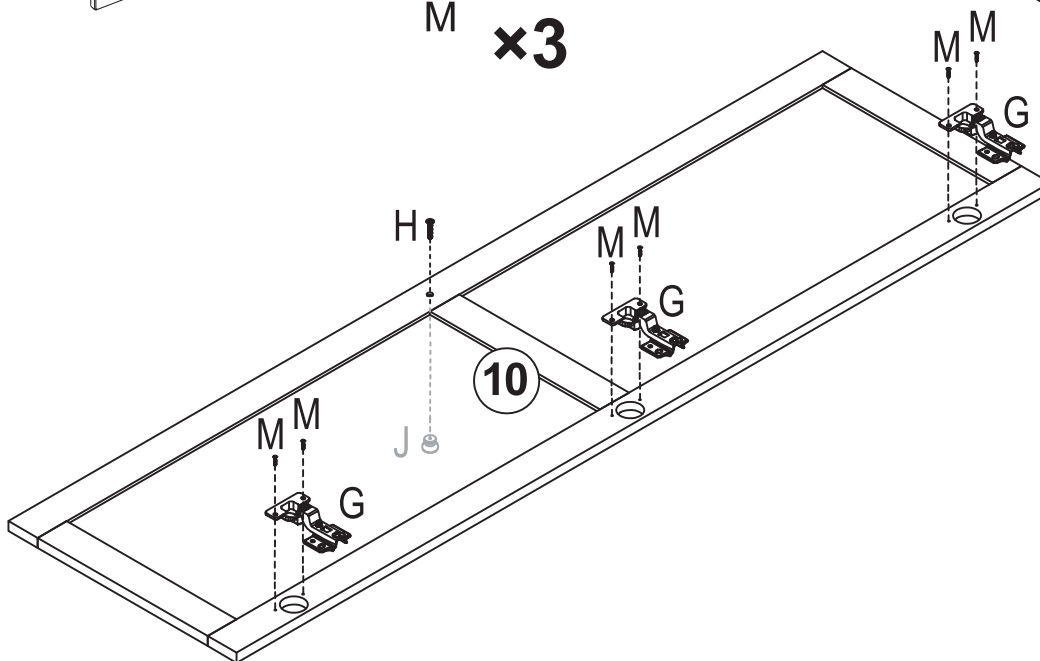
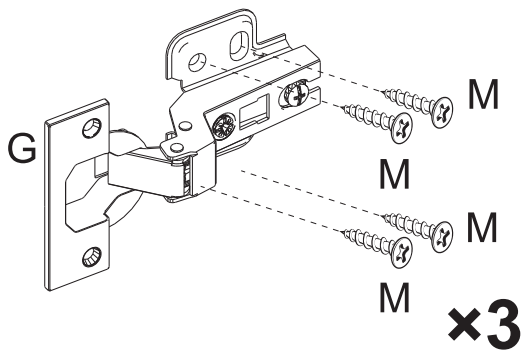
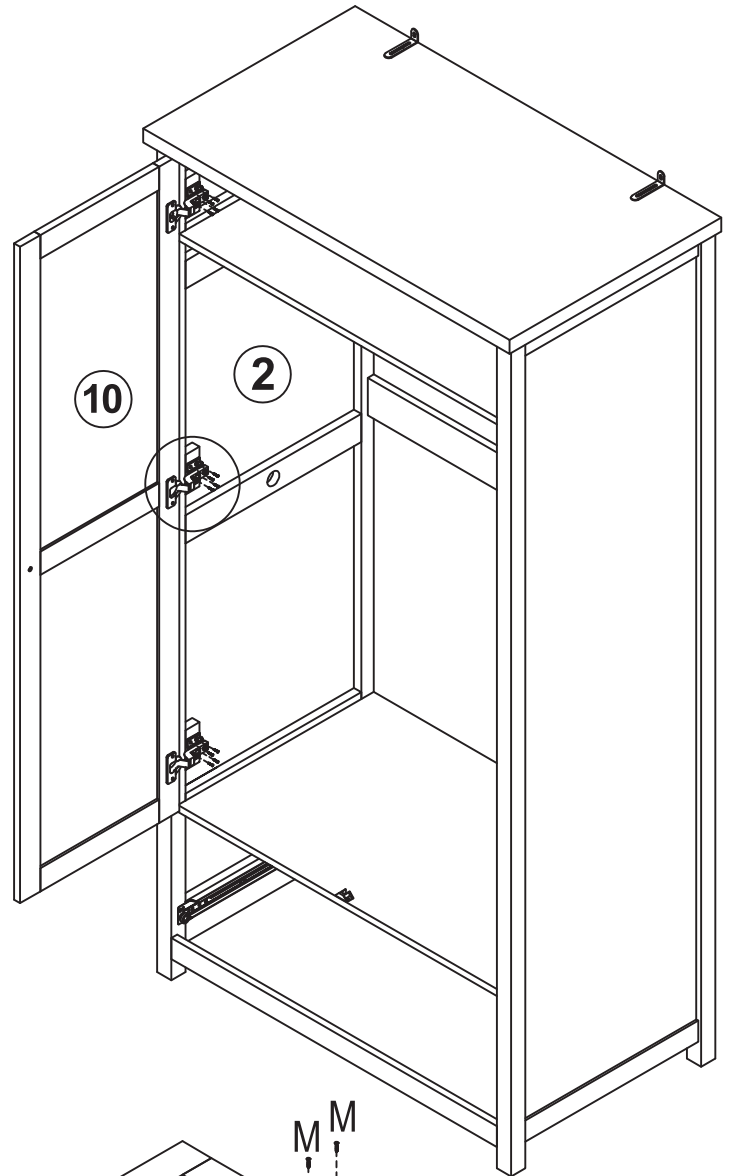
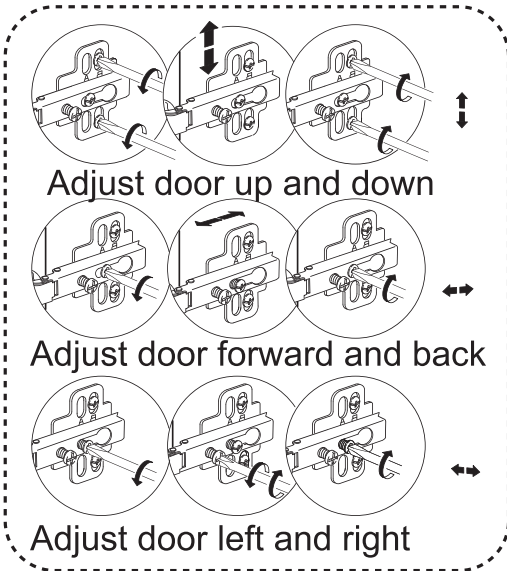


KIDI & ME DOUBLE WARDROBE

ITEM CODE: 433213
Assembly Instructions

STEP 7

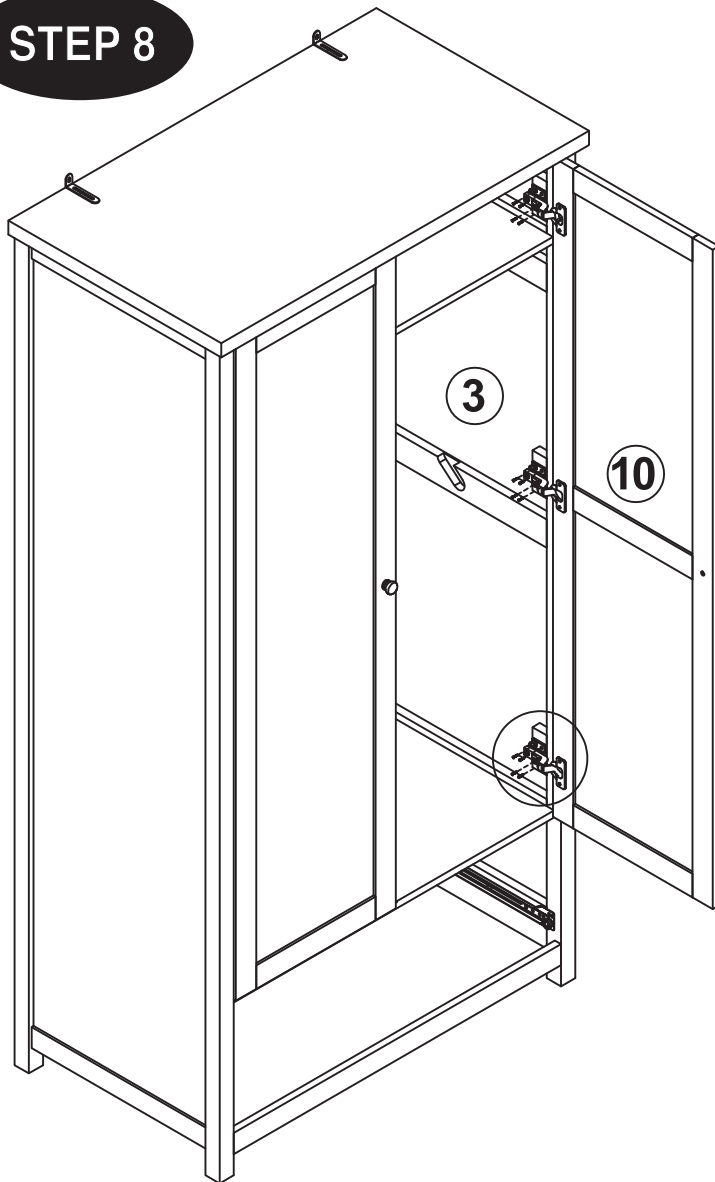
How to Adjust Door Hinges



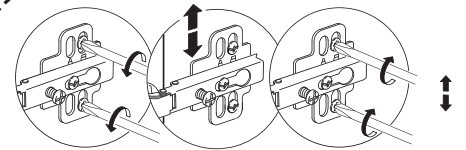
KIDI & ME DOUBLE WARDROBE

ITEM CODE: 433213
Assembly Instructions

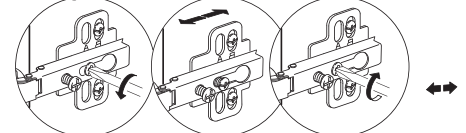
STEP 8



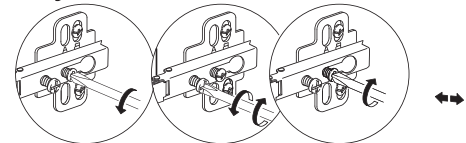
How to Adjust Door Hinges



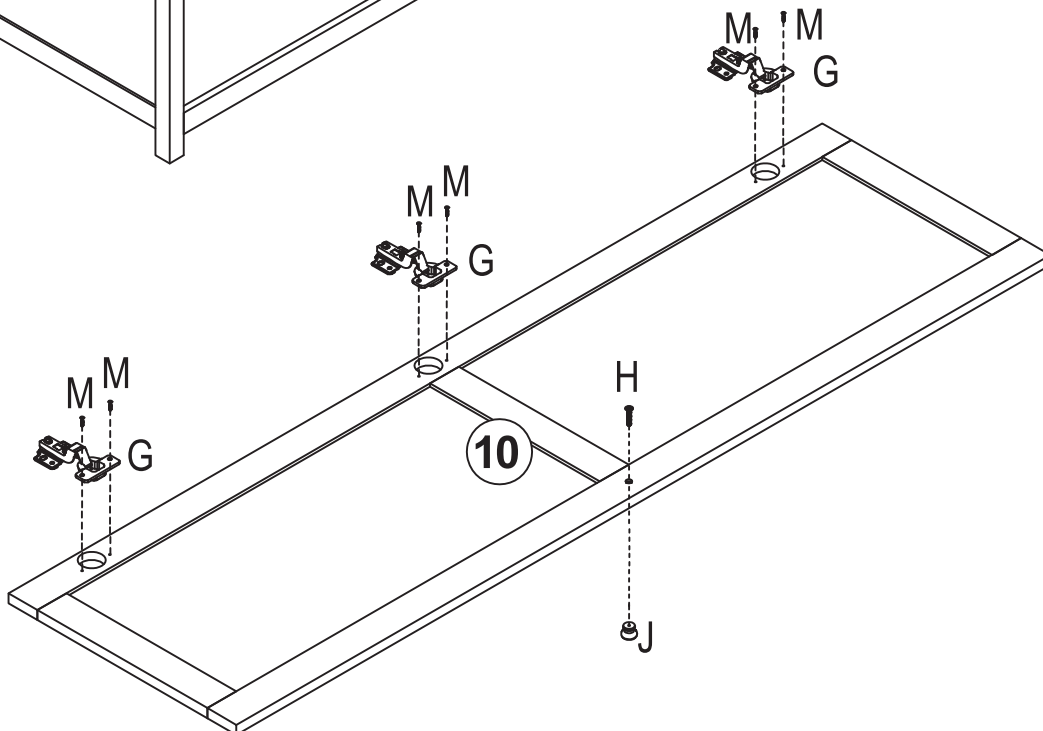
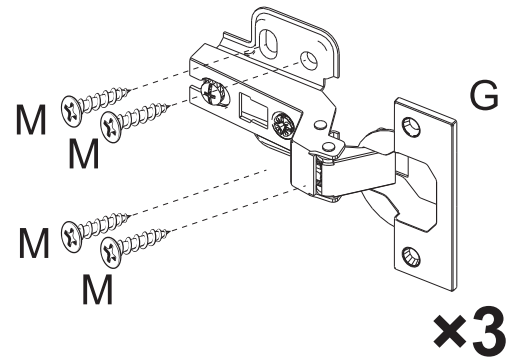
Adjust door up and down







Adjust door forward and back



Adjust door left and right

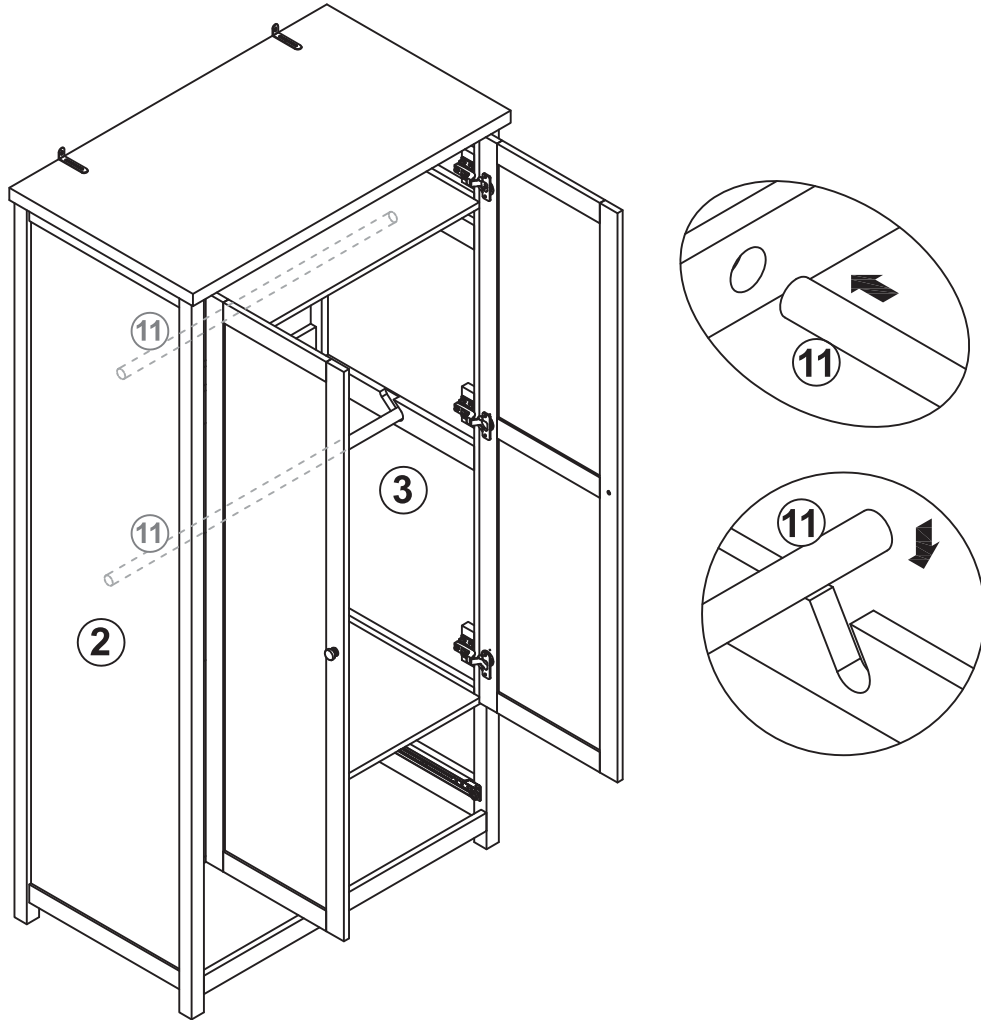


 G × 3
 H × 1
 J × 1
 M × 18

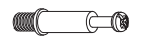
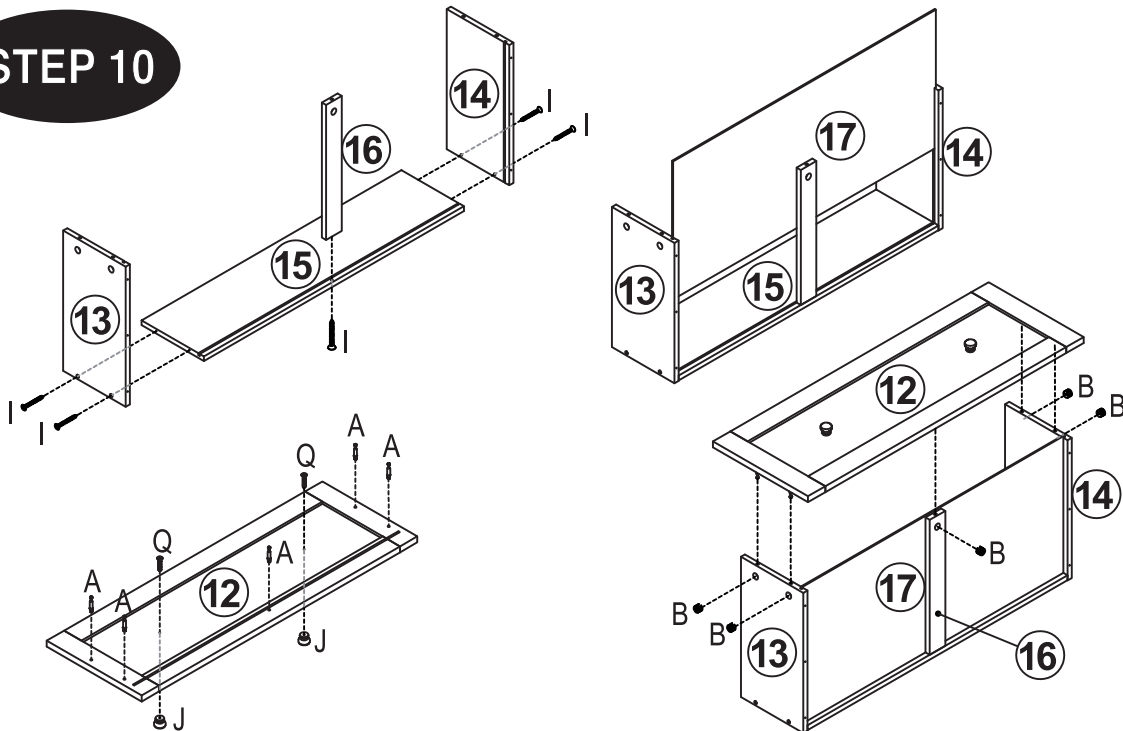
KIDI & ME DOUBLE WARDROBE

ITEM CODE: 433213
 Assembly Instructions

STEP 9



STEP 10



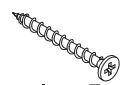
A × 5



B × 5



Q × 2



I × 5

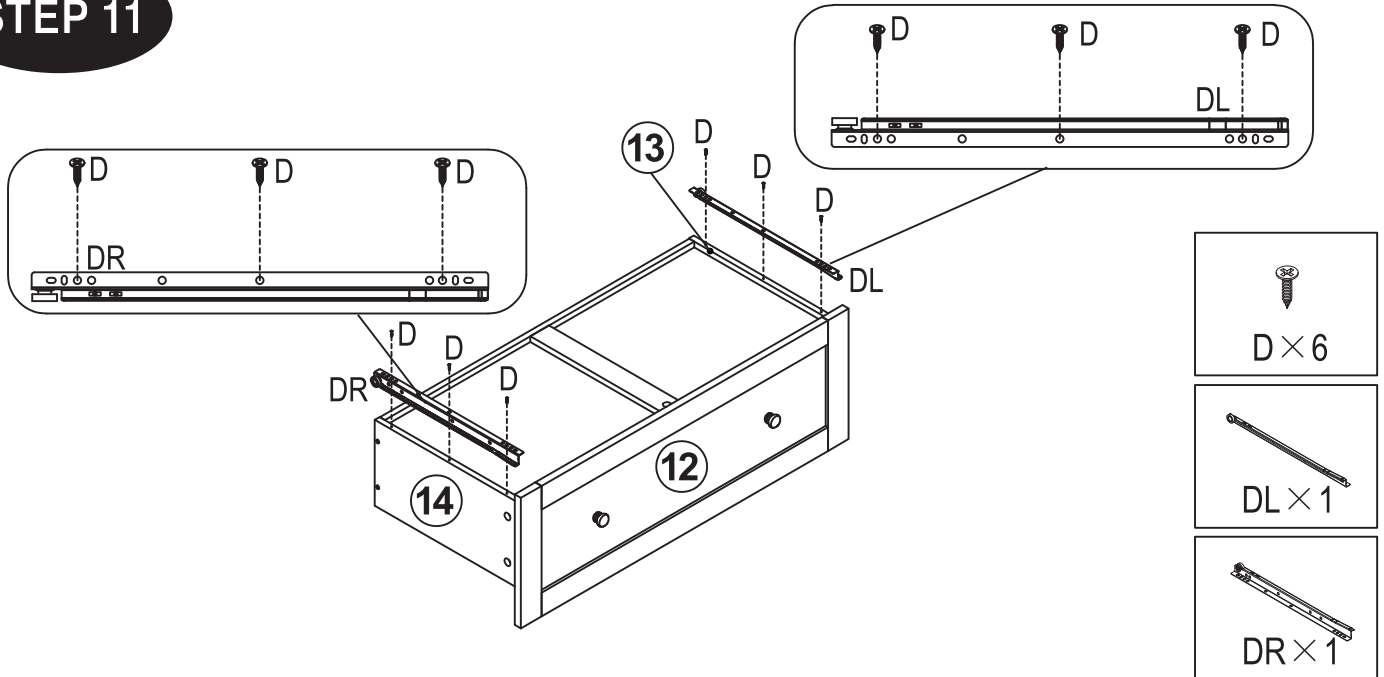


J × 2

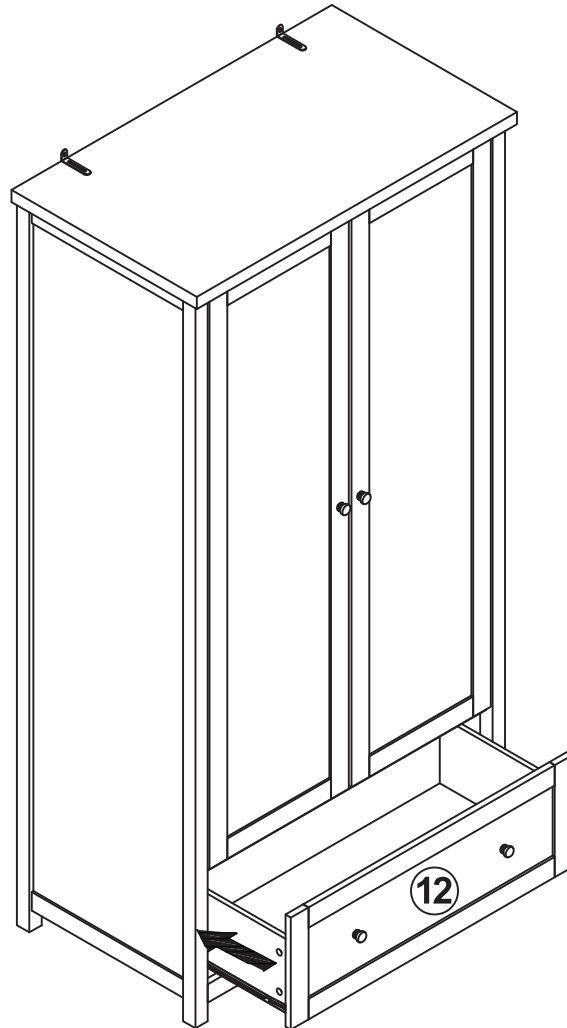
KIDI & ME DOUBLE WARDROBE

ITEM CODE: 433213
Assembly Instructions

STEP 11



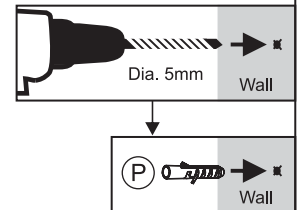
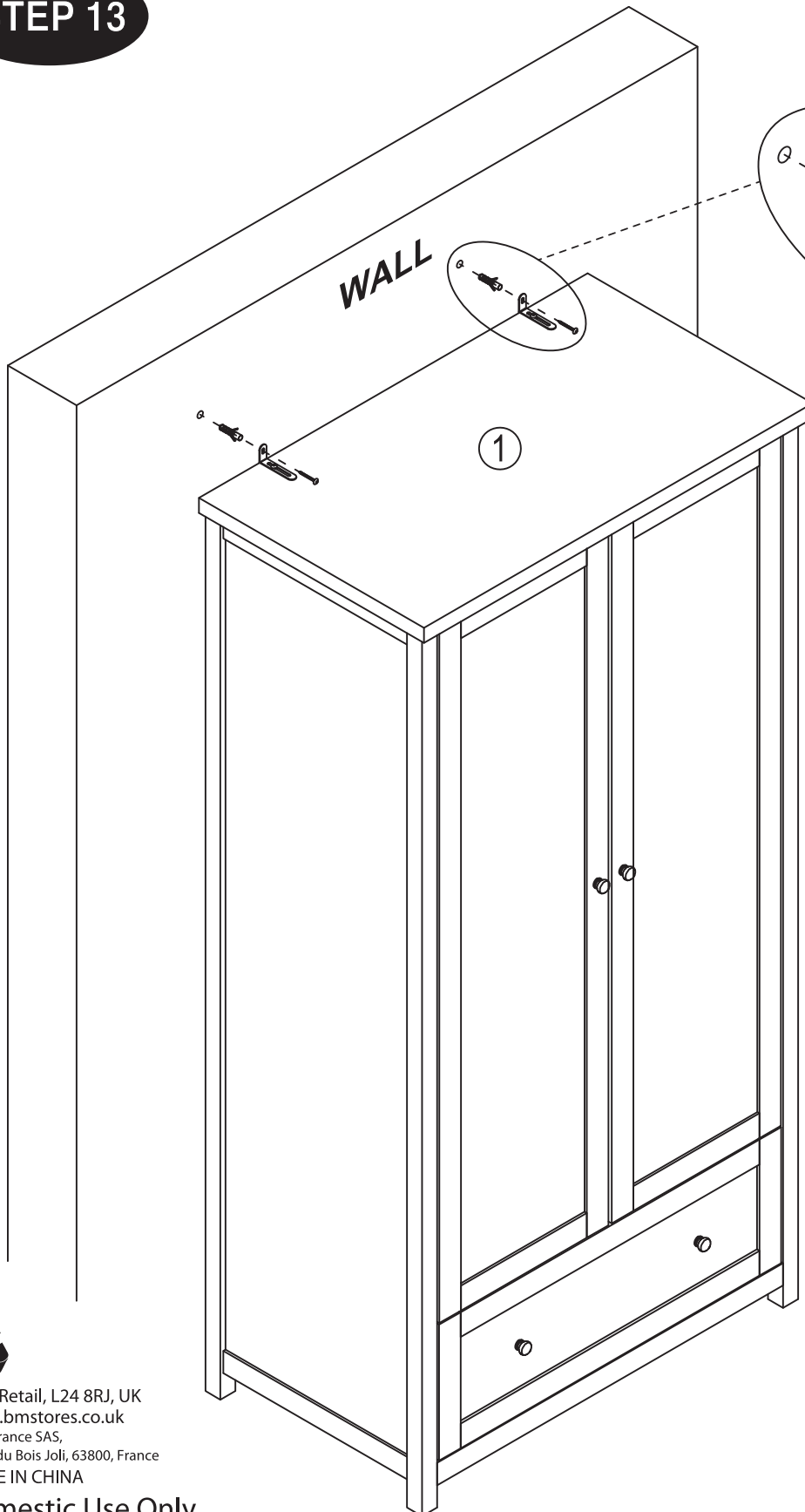
STEP 12



KIDI & ME DOUBLE WARDROBE

ITEM CODE: 433213
Assembly Instructions

STEP 13



WARNING: Anti-tipping hardware is only a deterrent. It is not a substitute for proper adult supervision. Young children may be injured by tipping furniture and the use of a tipping restraint is highly recommended. This hardware, when properly installed, could provide protection against the unexpected tipping of furniture due to improper use. Please ensure the anti-tipping hardware provided is suitable for your wall or else it might damage your wall during installation.



B&M Retail, L24 8RJ, UK
www.bmstores.co.uk
B&M France SAS,
8 Rue du Bois Joli, 63800, France
MADE IN CHINA

Domestic Use Only

