



**LAUREL**  
HERRINGBONE

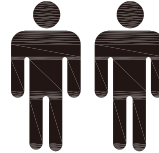
## DRESSING TABLE WITH MIRROR

Item Code:434364

### Assembly Instructions

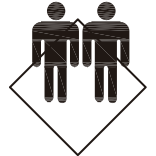
# 1.5 hrs

APPROXIMATE ASSEMBLY TIME



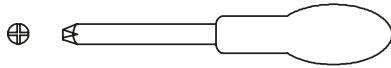
2 PERSON ASSEMBLY

FLOOR AREA  
1.5M x 1.5M

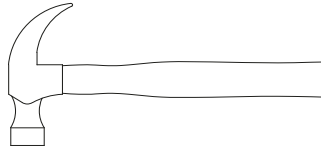


REQUIRED ASSEMBLY SPACE

#### REQUIRED ASSEMBLY TOOLS



POZI SCREWDRIVER (Not Provided)

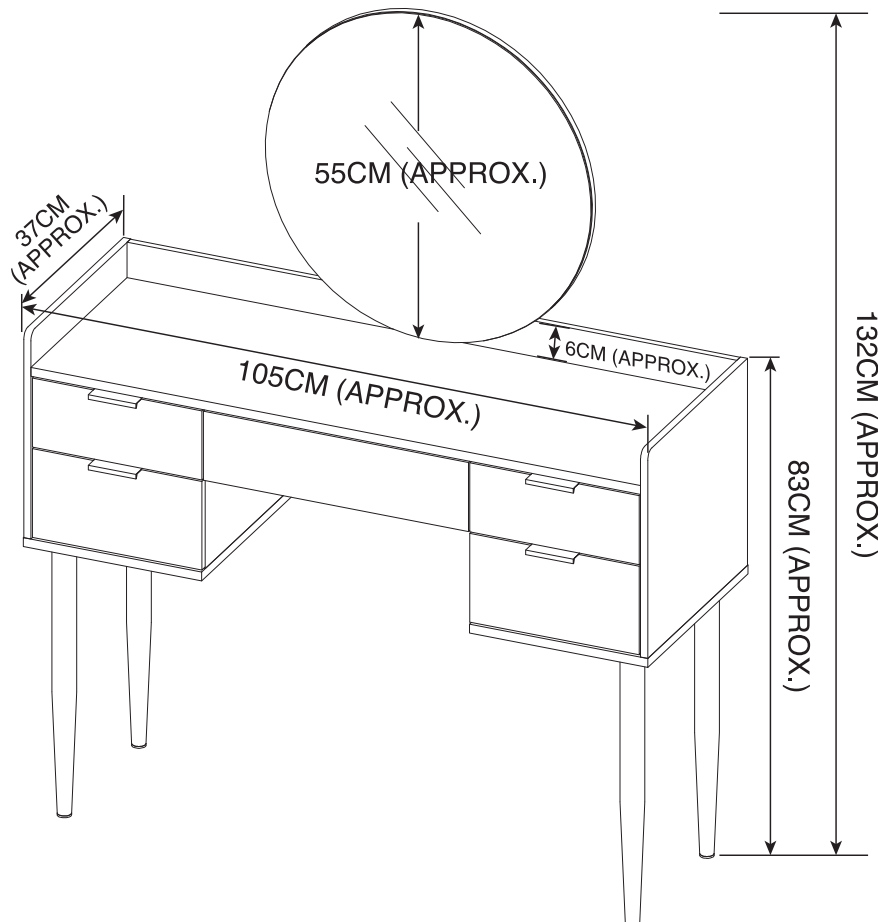


HAMMER (Not Provided)



MEASURING TAPE (Not Included)

#### ASSEMBLED DIMENSION



MAX LOADING: 20KG (TOP: 10KG / DRAWER: 2KG EACH)

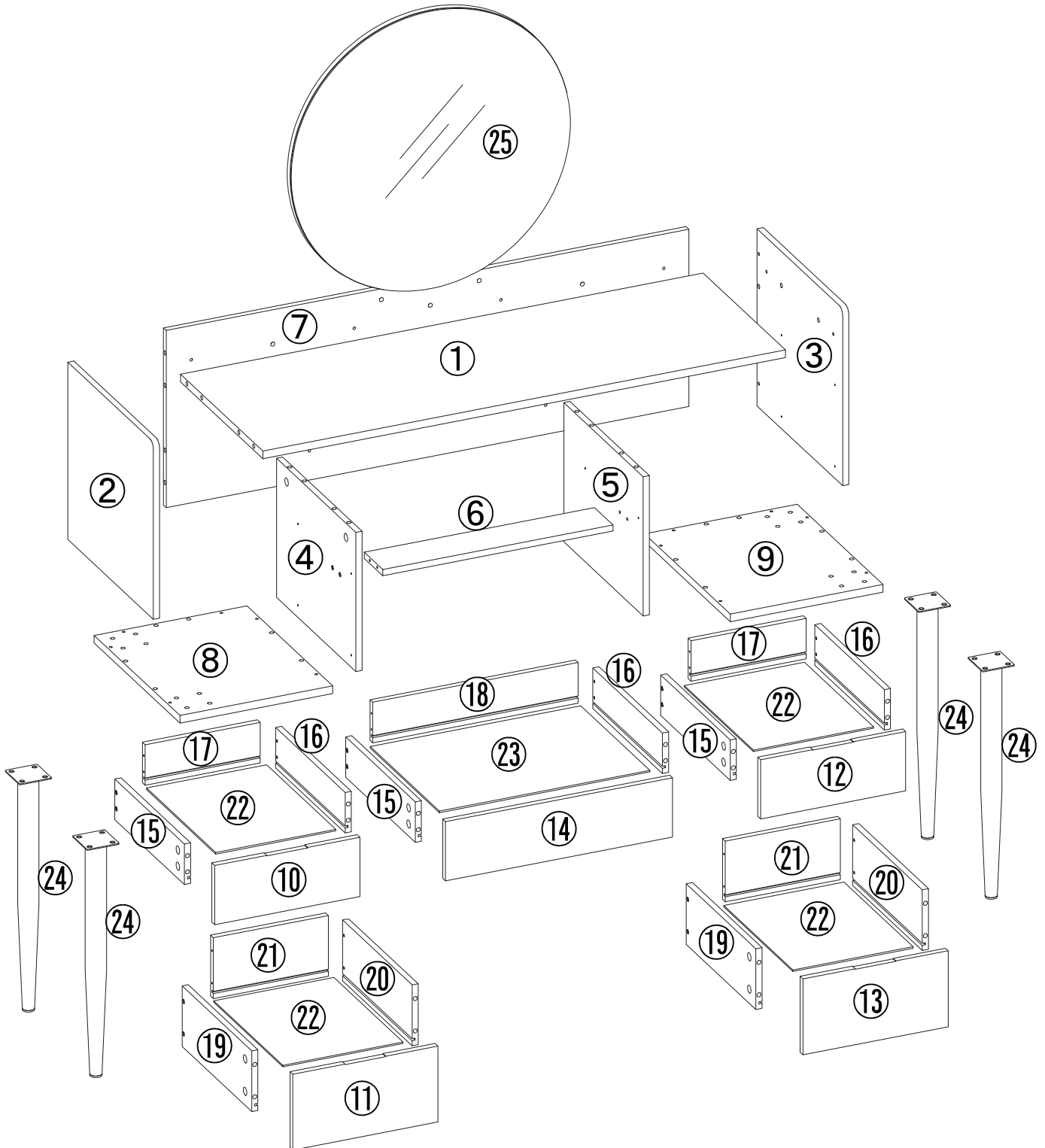
**LAUREL HERRINGBONE  
DRESSING TABLE WITH MIRROR**  
Item Code:434364  
Assembly Instructions

<b>NO.</b>	<b>PART LIST</b>	<b>QTY</b>	<b>NO.</b>	<b>PART LIST</b>	<b>QTY</b>
①	TOP PANEL	1	⑭	DRAWER MIDDLE FRONT PANEL	1
②	LEFT SIDE PANEL	1	⑮	DRAWER LEFT SIDE PANEL (TOP)	3
③	RIGHT SIDE PANEL	1	⑯	DRAWER RIGHT SIDE PANEL (TOP)	3
④	MIDDLE PANEL	1	⑰	DRAWER BACK PANEL (TOP)	2
⑤	MIDDLE PANEL	1	⑱	DRAWER BACK PANEL	1
⑥	SUPPORT PANEL	1	⑲	DRAWER LEFT SIDE PANEL	2
⑦	BACK PANEL	1	⑳	DRAWER RIGHT SIDE PANEL	2
⑧	BOTTOM PANEL	1	㉑	DRAWER BACK PANEL	2
⑨	BOTTOM PANEL	1	㉒	DRAWER BOTTOM PANEL	4
⑩	DRAWER LEFT FRONT PANEL (TOP)	1	㉓	DRAWER BOTTOM PANEL	1
⑪	DRAWER LEFT FRONT PANEL	1	㉔	LEG	4
⑫	DRAWER RIGHT FRONT PANEL (TOP)	1	㉕	MIRROR	1
⑬	DRAWER RIGHT FRONT PANEL	1			

# LAUREL HERRINGBONE DRESSING TABLE WITH MIRROR

Item Code:434364  
Assembly Instructions

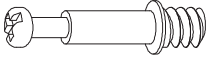
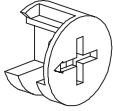


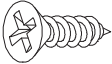
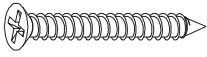
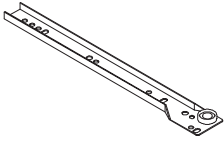
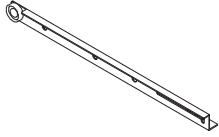
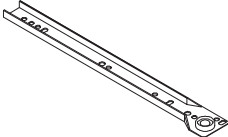
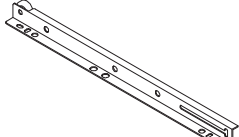
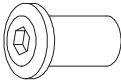
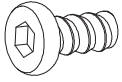
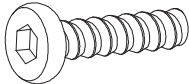
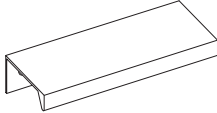

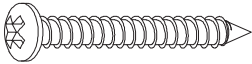

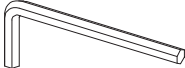
## PART LIST



# LAUREL HERRINGBONE DRESSING TABLE WITH MIRROR

Item Code:434364  
Assembly Instructions

## HARDWARE LIST

<b>A</b>	<b>x32</b>	<b>B</b>	<b>x32</b>	<b>C</b>	<b>x30</b>	<b>D</b>	<b>x24</b>	<b>E</b>	<b>x40</b>
									
Dia.6x35mm		Dia.15x9mm		Dia.8x30mm		Dia.5x50mm		Dia.3x12mm	
QUICKFIT		CAM LOCK		WOODEN DOWEL		SCREW		SCREW	
<b>F</b>	<b>x20</b>	<b>G</b>	<b>x5</b>	<b>H</b>	<b>x5</b>	<b>I</b>	<b>x5</b>	<b>J</b>	<b>x5</b>
									
Dia.4x35mm		300mm		300mm		300mm		300mm	
SCREW		SLIDE RAIL		SLIDE RAIL		SLIDE RAIL		SLIDE RAIL	
<b>K</b>	<b>x16</b>	<b>L</b>	<b>x16</b>	<b>M</b>	<b>x3</b>	<b>N</b>	<b>x4</b>	<b>O</b>	<b>x2</b>
									
M6x12mm		M6x12mm		M6x20mm				Dia.6x30mm	
BOLT		BOLT		BOLT		HANDLE		WALL PLUG	
<b>P</b>	<b>x2</b>	<b>Q</b>	<b>x8</b>	<b>R</b>	<b>x2</b>				
									
Dia.4x50mm		Dia.3.5x12mm		M4					
SCREW		SCREW		ALLEN KEY					

# LAUREL HERRINGBONE DRESSING TABLE WITH MIRROR

Item Code:434364  
Assembly Instructions



## Safety Advice and Care Advice

KEEP ALL THE SAFETY ADVICE AND INSTRUCTIONS IN A SAFE PLACE FOR FUTURE REFERENCE!



### **WARNING! RISK OF LOSS OF LIFE OR ACCIDENT**

**TO INFANTS AND CHILDREN!** Never leave children unsupervised with the packaging materials. Danger of suffocation.



**CAUTION! RISK OF INJURY!** Make sure that all parts are undamaged and assembled correctly. Improper assembly carries a risk of injury. Damaged parts may affect the safety and function of the product.

- Adult assembly required.
- Power tools are not recommended for the assembly of this product.
- Make sure that this product is stable & used only on a solid & flat surface.
- Do not use this product unless all screws and fixings are firmly secured.
- Do not leave children unsupervised! The product is not a climbing frame or a toy!
- Do not stand, sit or lean on this product.
- Do not use this product as a step ladder or as a chopping surface.
- Do not lift or move the product when it is loaded.
- Do not load more than a total of 20kg (top: 10kg / drawer: 2kg each) onto the unit, otherwise there is a risk of injury and/or damage to the product.
- Distribute weight evenly across the product so that it cannot overturn.
- Do not place hot items such as coffee cups directly on the surface(s) unless adequately thick table mats are used.
- Please periodically check all fittings and re-tighten as necessary.
- For Indoor & Domestic use only.

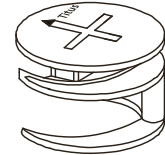
### **Care instructions:**

- Wipe clean with a dry cloth.
- Do not use scourers, abrasive or chemical solvents.
- Keep away from moisture and direct sunlight.
- Keep away from fire and inflammable objects.

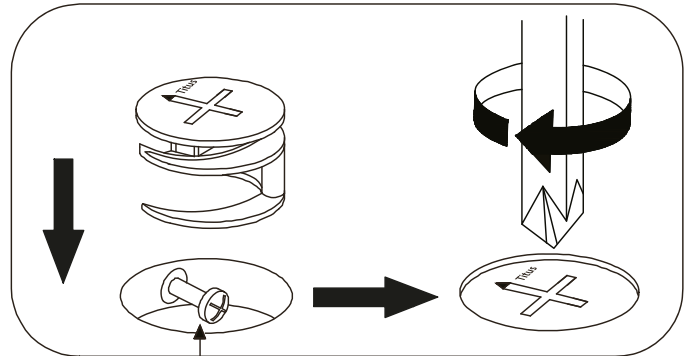
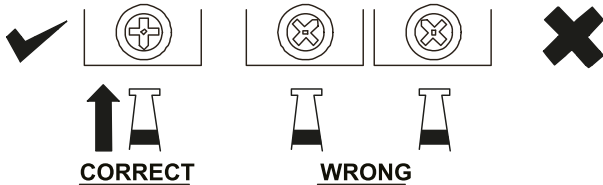
**LAUREL HERRINGBONE  
DRESSING TABLE WITH MIRROR**  
Item Code:434364  
Assembly Instructions

**SPECIAL TIPS FOR FITTING CAM-LOCKS  
AND QUICKFIT**

**CAM-LOCK**



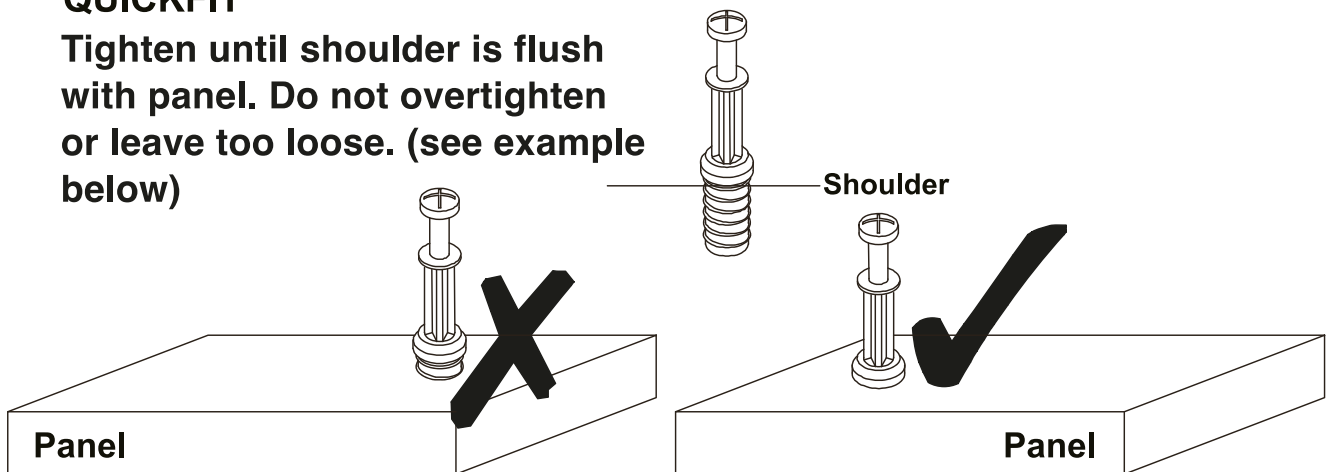
WHEN FITTING CAMLOCK  
ENSURE STARTING POSITION IS CORRECT  
BEFORE YOU INSERT CONNECTING QUICKFIT  
TURN CLOCKWISE UNTIL SECURE



**Quickfit head needs to be in centre**

**QUICKFIT**

Tighten until shoulder is flush with panel. Do not overtighten or leave too loose. (see example below)



# LAUREL HERRINGBONE DRESSING TABLE WITH MIRROR

Item Code:434364  
Assembly Instructions

**NOTE: Supplied wall plugs are only suitable for use in masonry walls.**

If you have any doubts about using the correct plug for your wall, please seek professional advice. Failure of the product due to using incorrect fixings is the responsibility of the installer.



## IMPORTANT:

When drilling into walls, always check for hidden wires or pipes, etc.



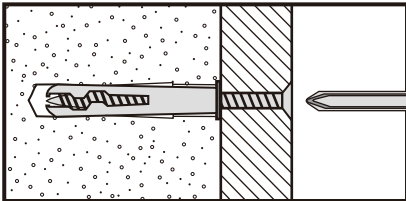
## Tips & Tricks

**Make sure that the hardware used is suitable for supporting your unit.  
Please consult a qualified tradesperson if unsure.**

- ✓ If you are unsure, please select a larger screw and wall plug.
- ✓ Ensure that you use the recommended drill bit to match the wall plug and hole size.
- ✓ Take extra care when drilling high walls, ceiling and ceramic tiles. Ensure wall plugs are inserted beyond the thickness of the ceramic tiles to avoid splitting or cracking.
- ✓ Ensure that wall plugs are well fitted and are a tight fit in the drilled hole.

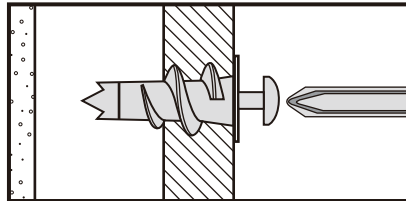
## Types Of Walls

Use one of the following types of wall plug (not included) if your walls are made of brick, breeze block, concrete, stone or wood. Screws may be able to be fixed directly to solid wood walls as they will provide a secure anchor point.



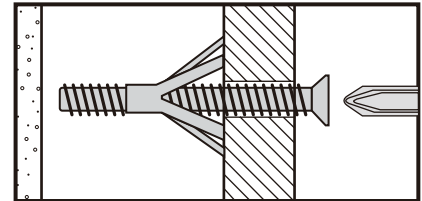
### 1. General Purpose Wall Plug

Generally, aerated blocks should not be used to support heavy loads, use a specialist fitting in this case. For light loads, general purpose wall plugs can be used.



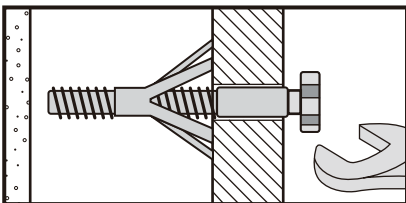
### 2. Plasterboard Wall Plug

For use when attaching light loads onto plasterboard partitions.



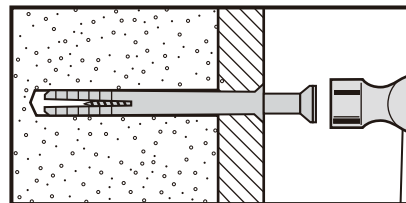
### 3. Cavity Fixing Wall Plug

For use with plasterboard partitions or hollow wooden doors.



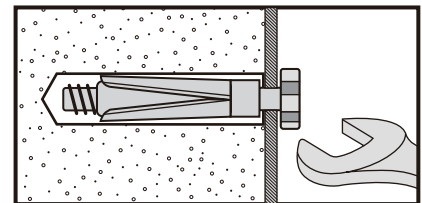
### 4. Cavity Fixing Heavy Duty Wall Plug

For use when fitting or supporting heavy loads such as shelving and wall cabinets.



### 5. Hammer Fixing Wall Plug

For use with concrete block or brick walls, or walls stuck with plasterboard. The hammer fixing allows it to be fixed to the wall rather than the plasterboard. Always check the fixing is secure to the retaining wall.



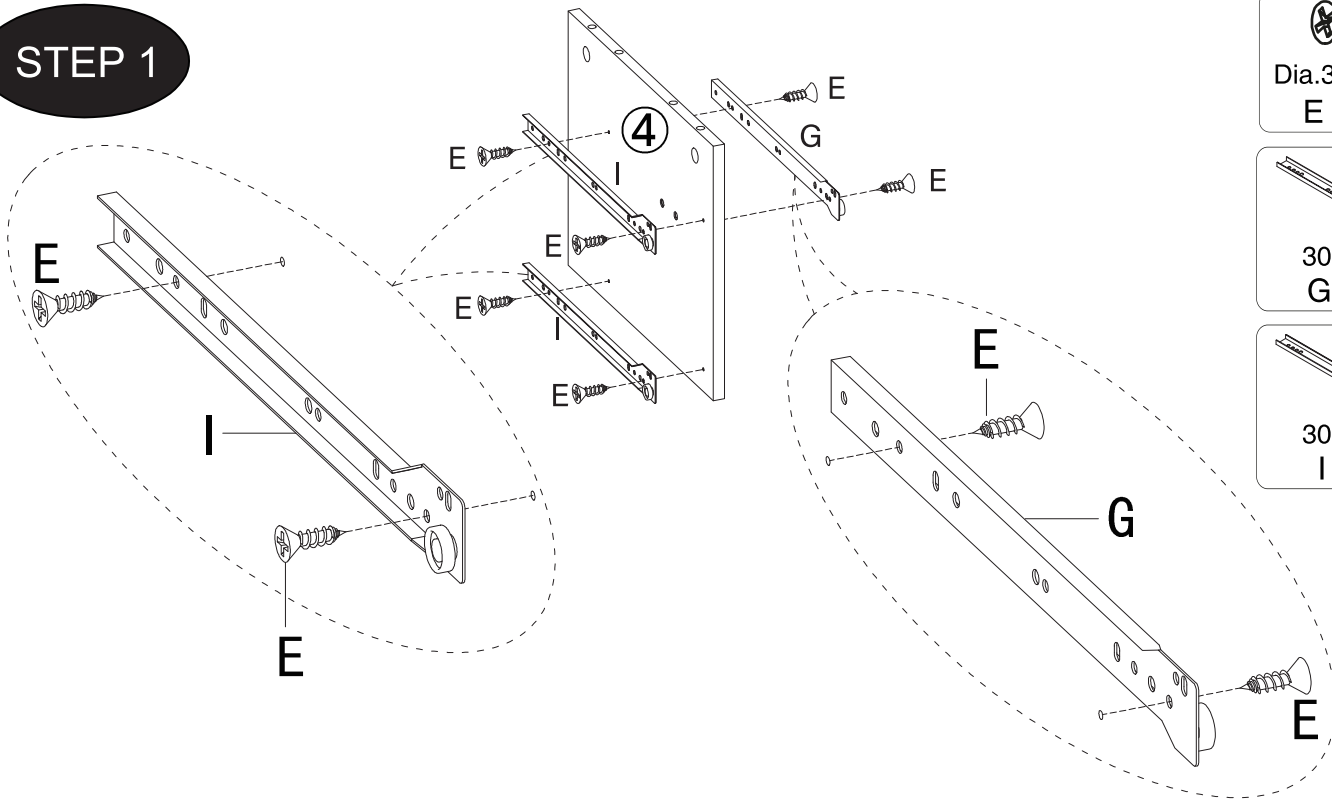
### 6. Shield Anchor Wall Plug Heavy Loads

For use with concrete or brick walls, or for use with heavier loads such as TV & HiFi speakers and satellite dishes, etc.

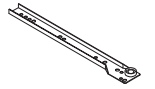
# LAUREL HERRINGBONE DRESSING TABLE WITH MIRROR

Item Code:434364  
Assembly Instructions

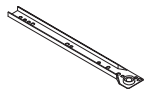
## STEP 1



Dia.3x12mm  
E x 6

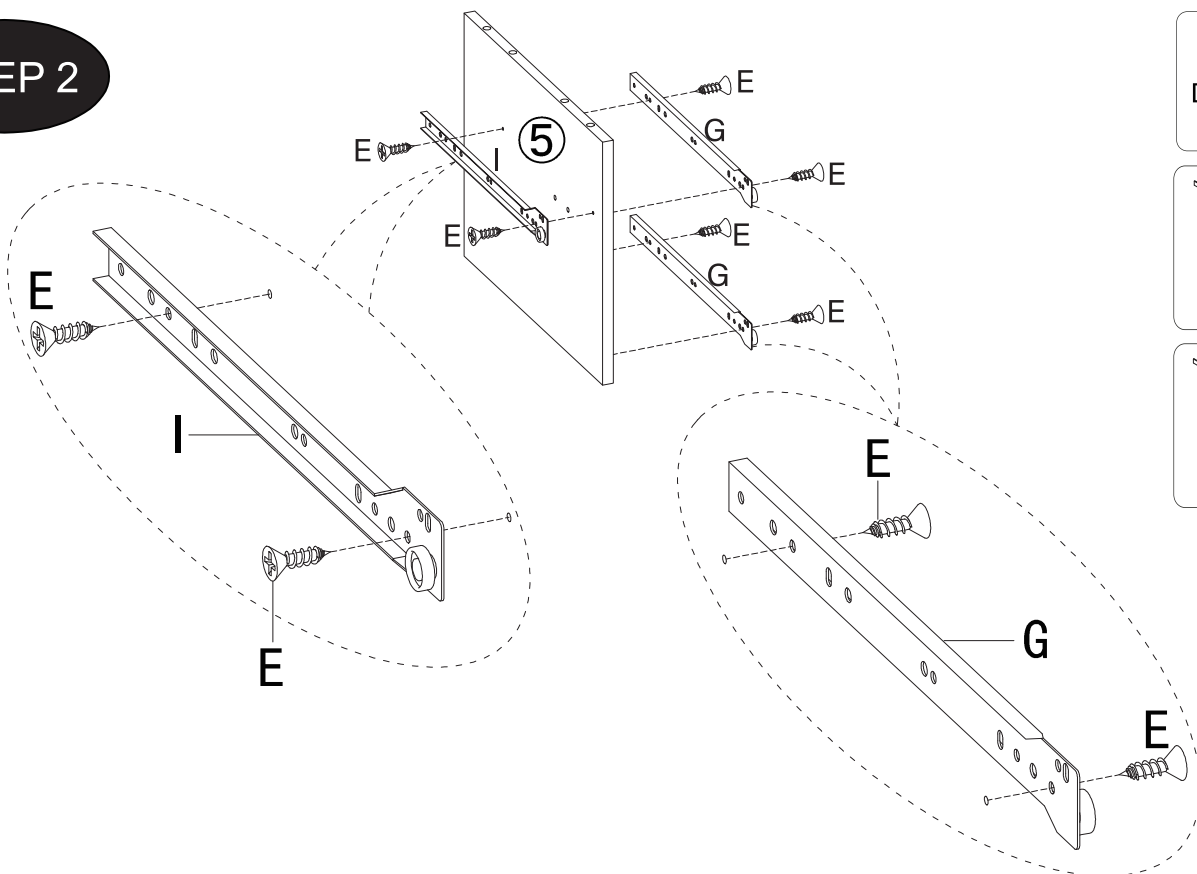


300mm  
G x 1

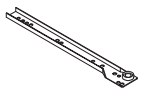


300mm  
I x 2

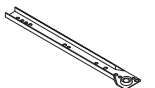
## STEP 2



Dia.3x12mm  
E x 6



300mm  
G x 2

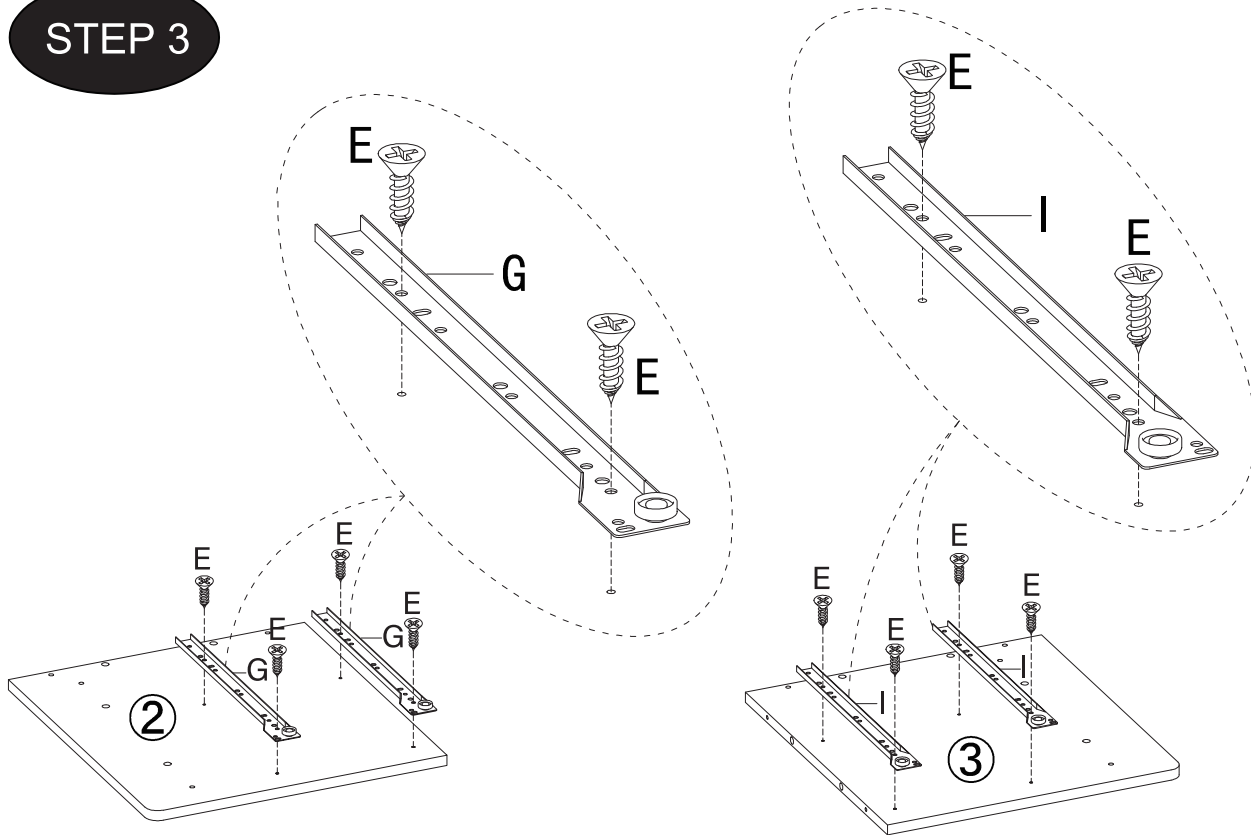


300mm  
I x 1

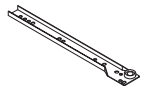
# LAUREL HERRINGBONE DRESSING TABLE WITH MIRROR

Item Code:434364  
Assembly Instructions

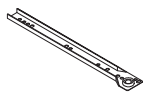
## STEP 3



Dia.3x12mm  
E x 8

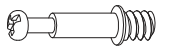
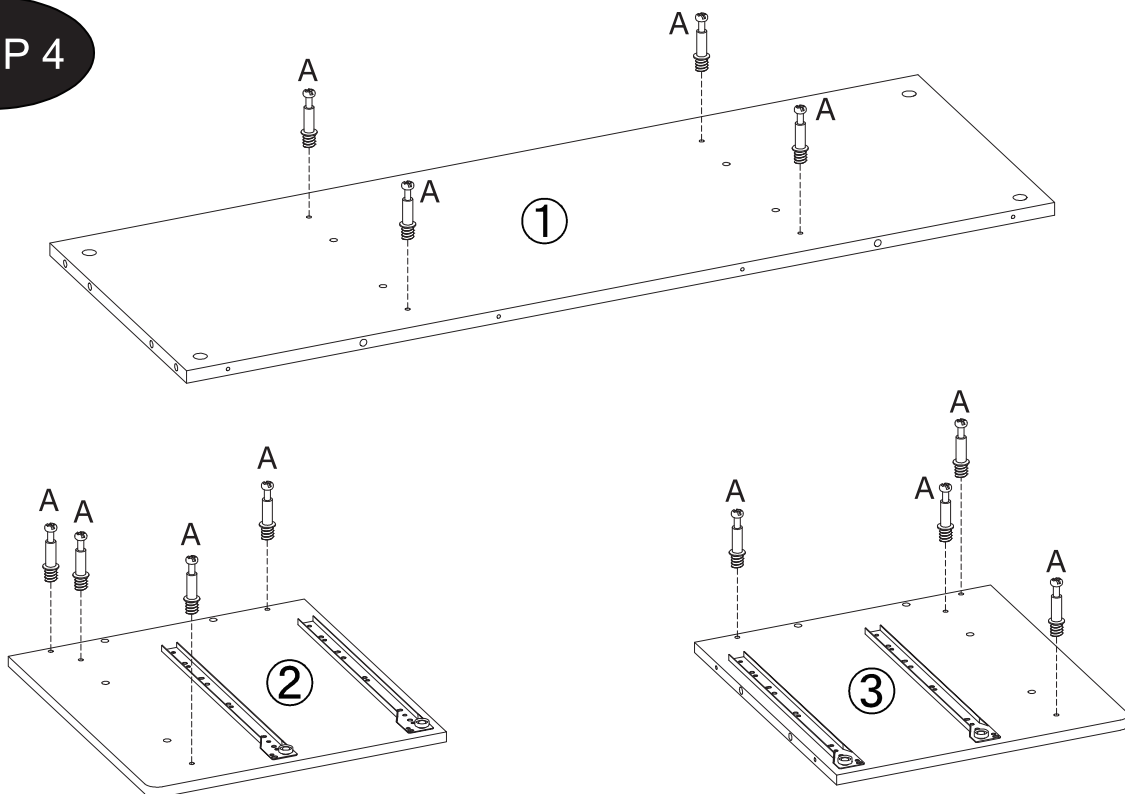


300mm  
G x 2



300mm  
I x 2

## STEP 4

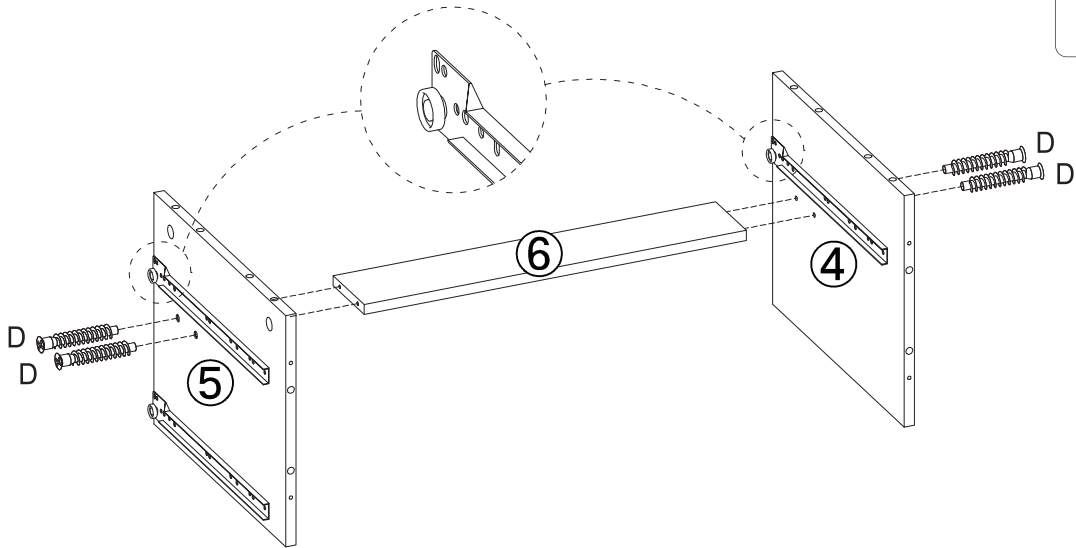


Dia.6x35mm  
A x 12

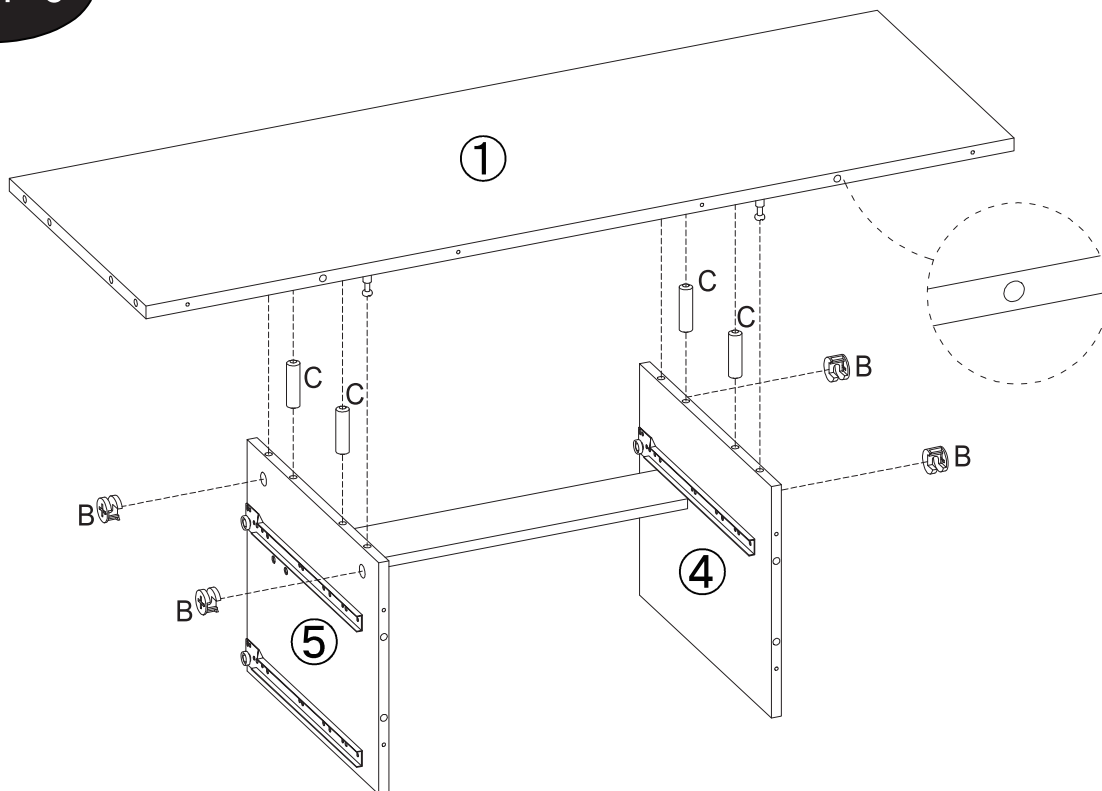
# LAUREL HERRINGBONE DRESSING TABLE WITH MIRROR

Item Code:434364  
Assembly Instructions

STEP 5



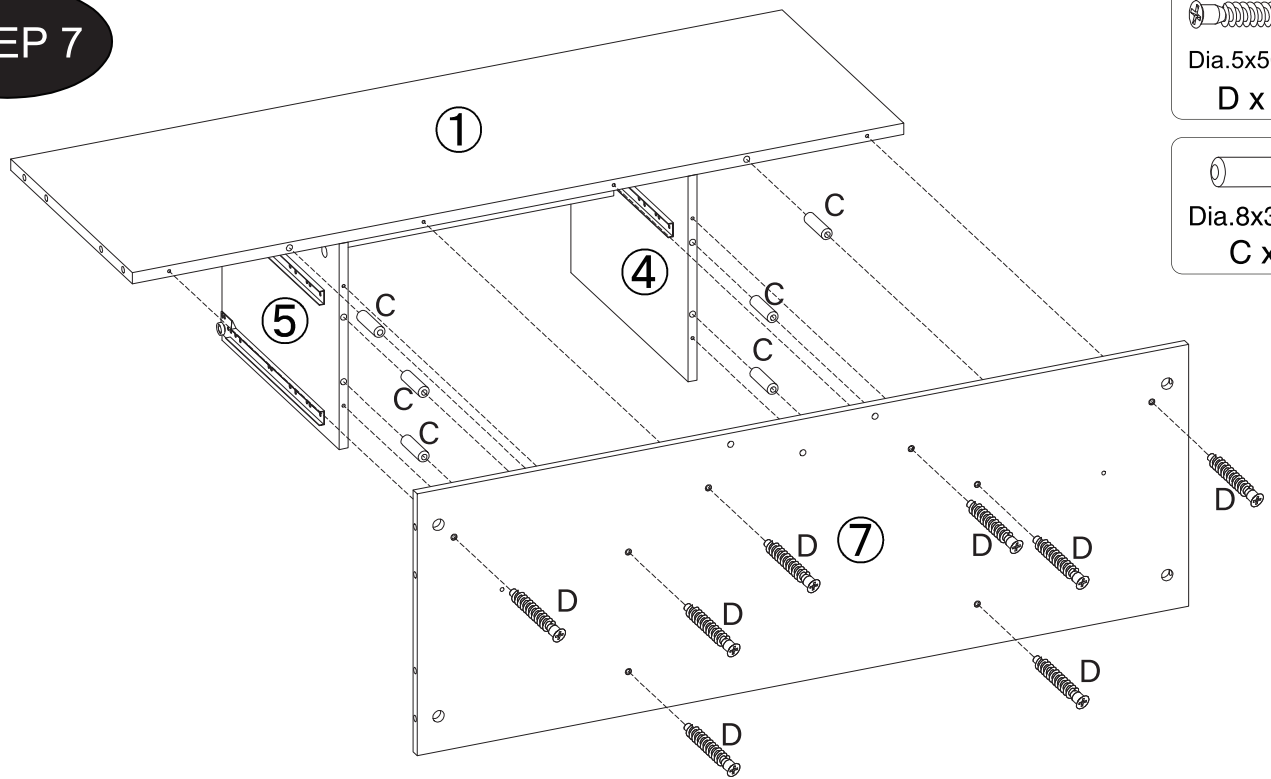
STEP 6



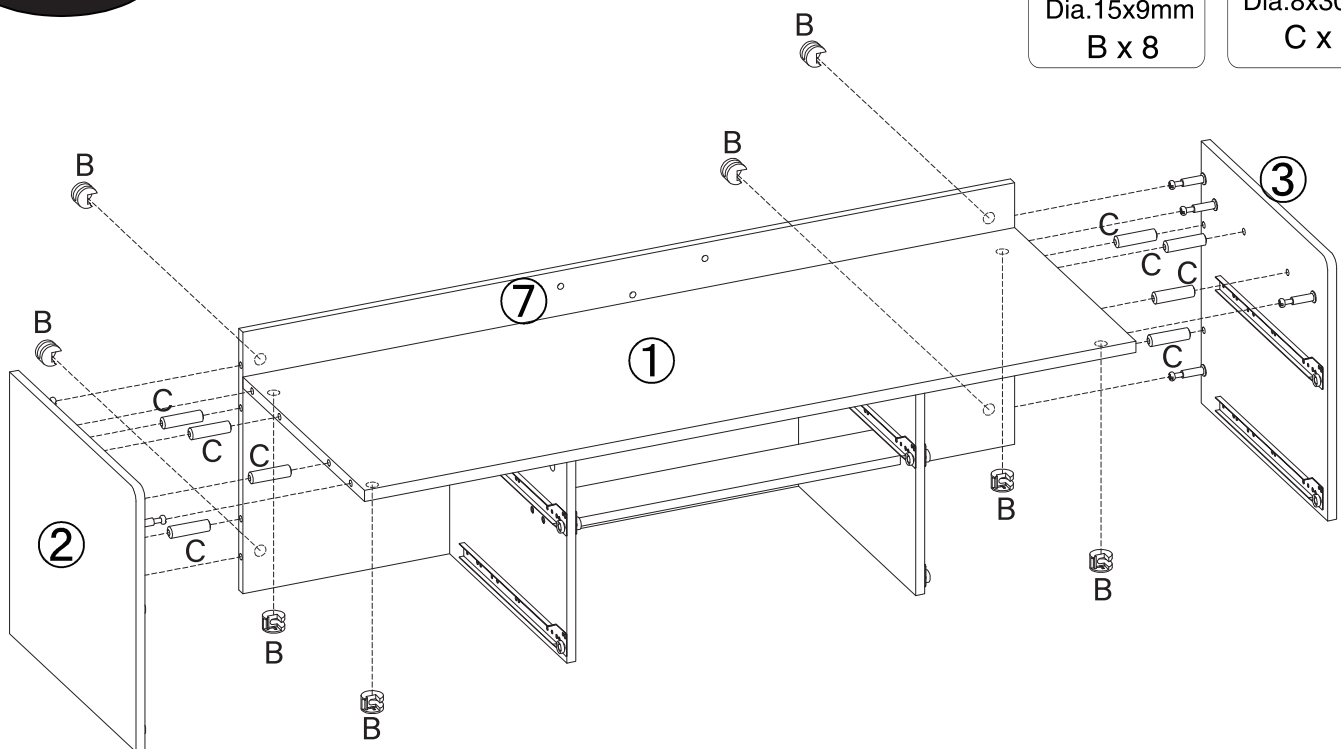
# LAUREL HERRINGBONE DRESSING TABLE WITH MIRROR

Item Code:434364  
Assembly Instructions

## STEP 7



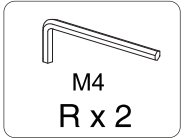
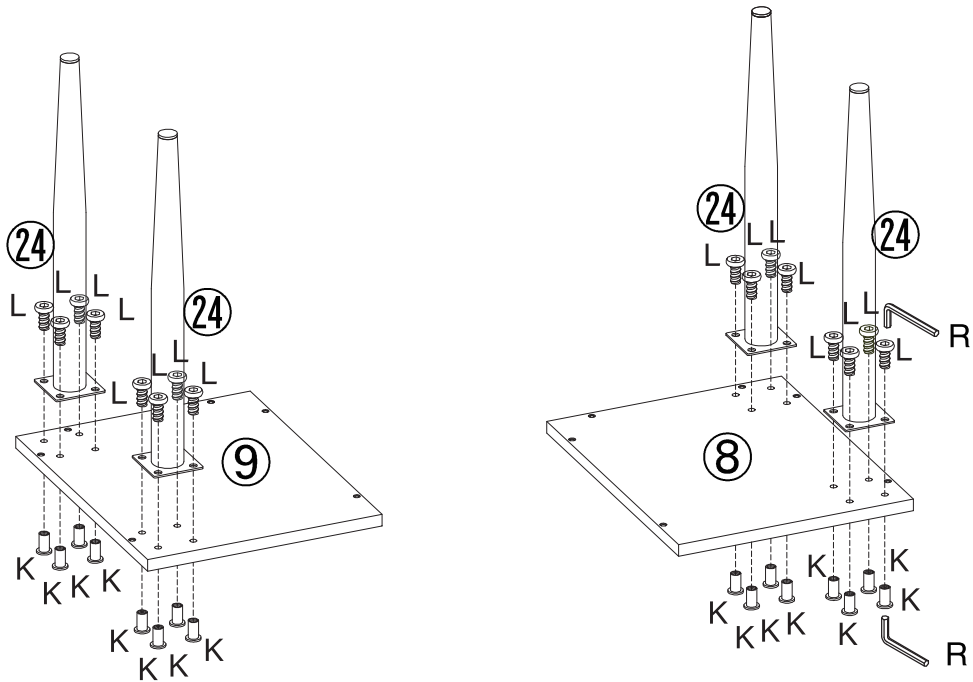
## STEP 8



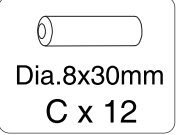
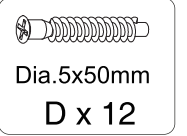
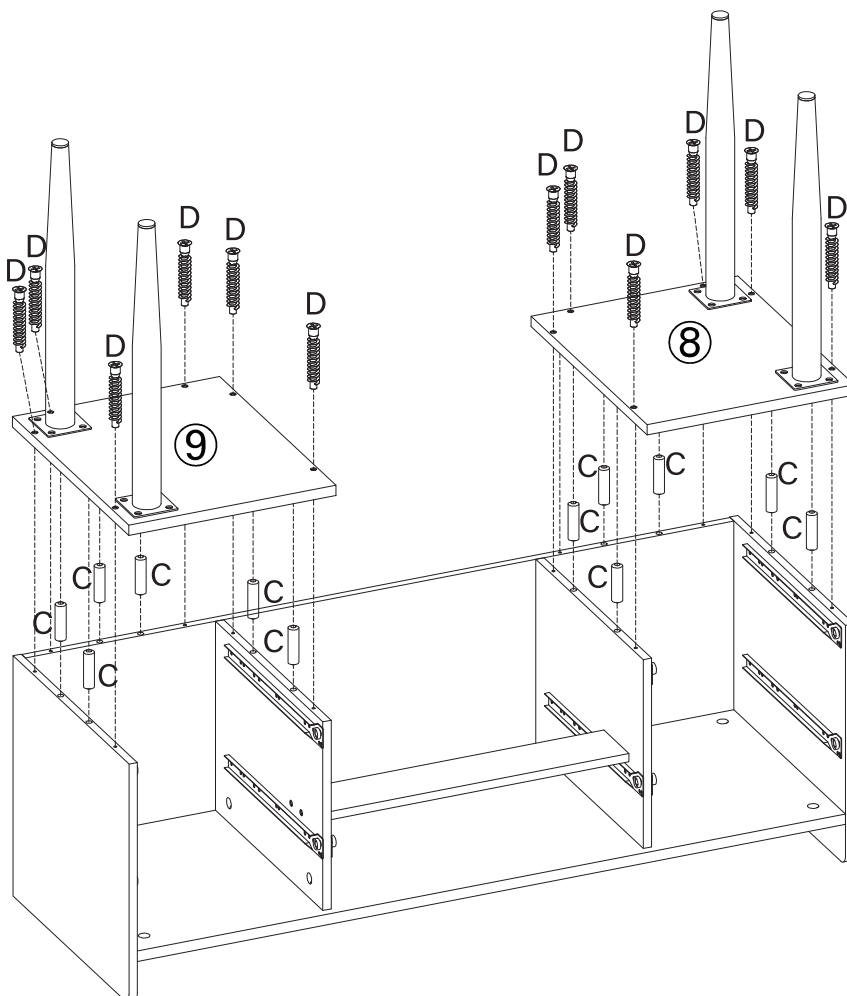
# LAUREL HERRINGBONE DRESSING TABLE WITH MIRROR

Item Code:434364  
Assembly Instructions

## STEP 9



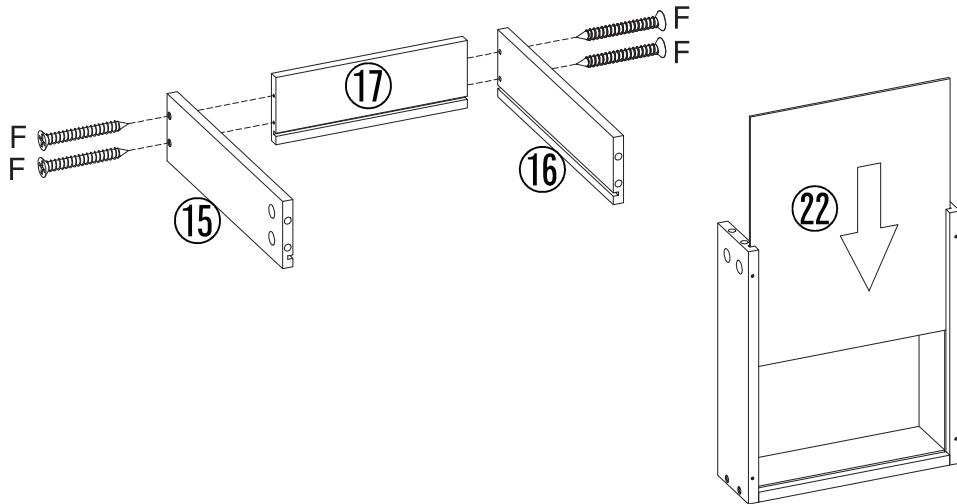
## STEP 10



# LAUREL HERRINGBONE DRESSING TABLE WITH MIRROR

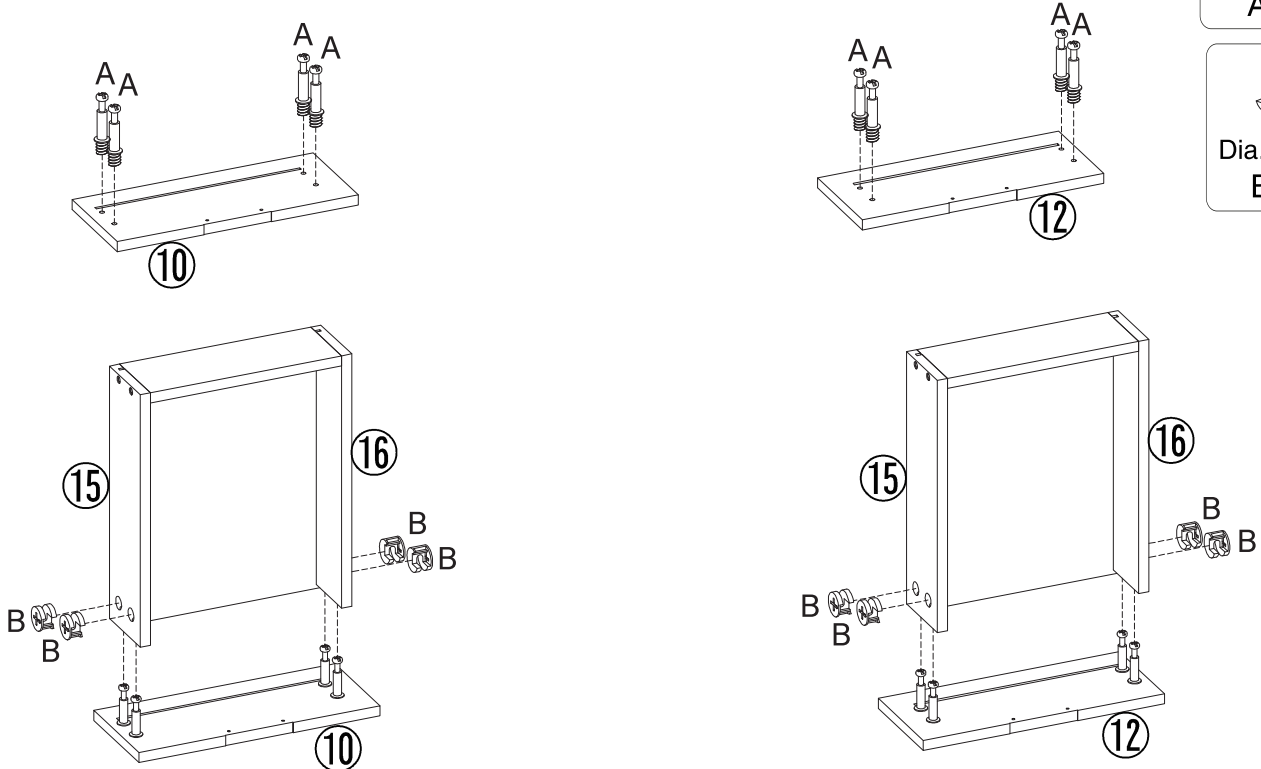
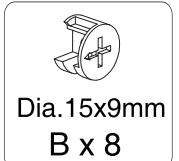
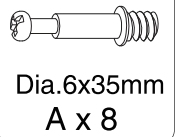
Item Code:434364  
Assembly Instructions

## STEP 11



x2

## STEP 12



# LAUREL HERRINGBONE DRESSING TABLE WITH MIRROR

Item Code:434364  
Assembly Instructions

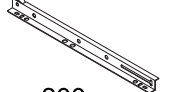
## STEP 13



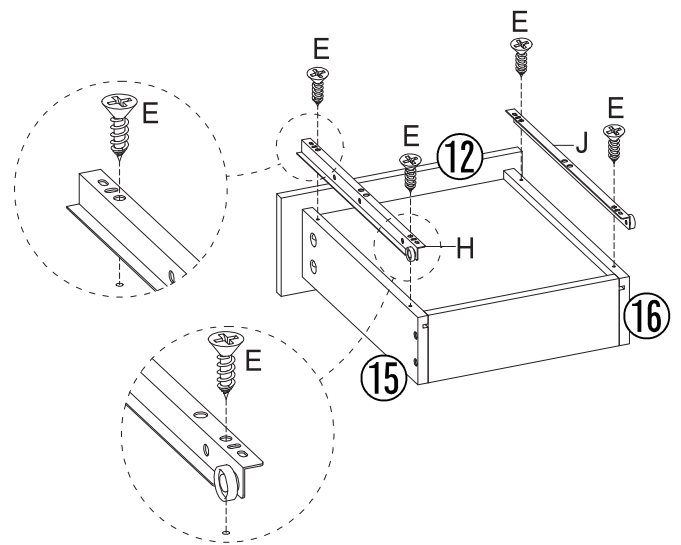
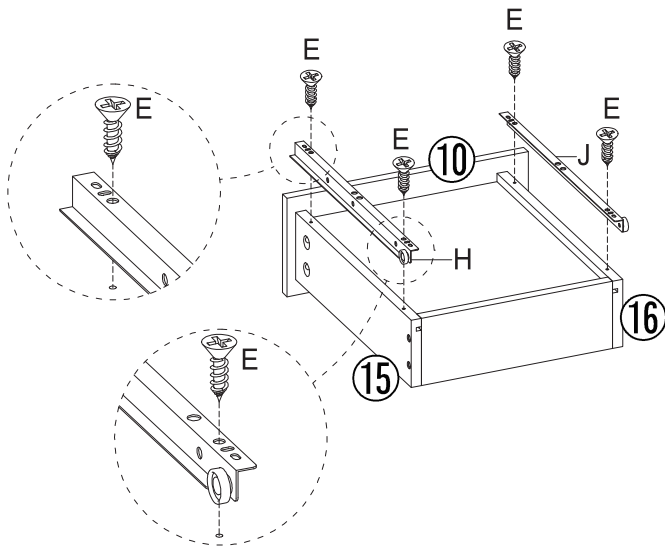
Dia.3x12mm  
E x 8



300mm  
H x 2



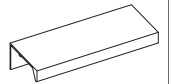
300mm  
J x 2



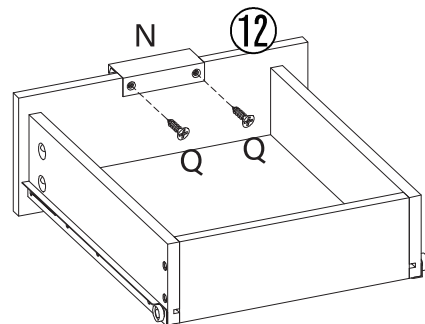
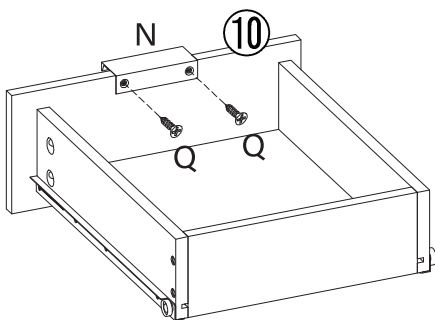
## STEP 14



Dia.3.5x12mm  
Q x 4



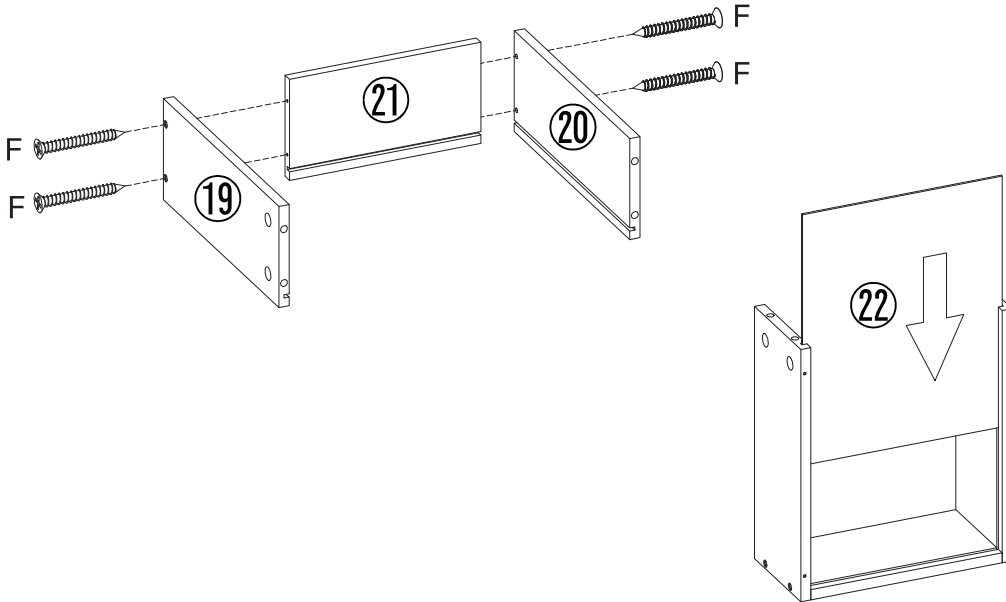
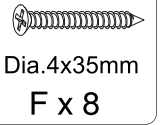
N x 2



# LAUREL HERRINGBONE DRESSING TABLE WITH MIRROR

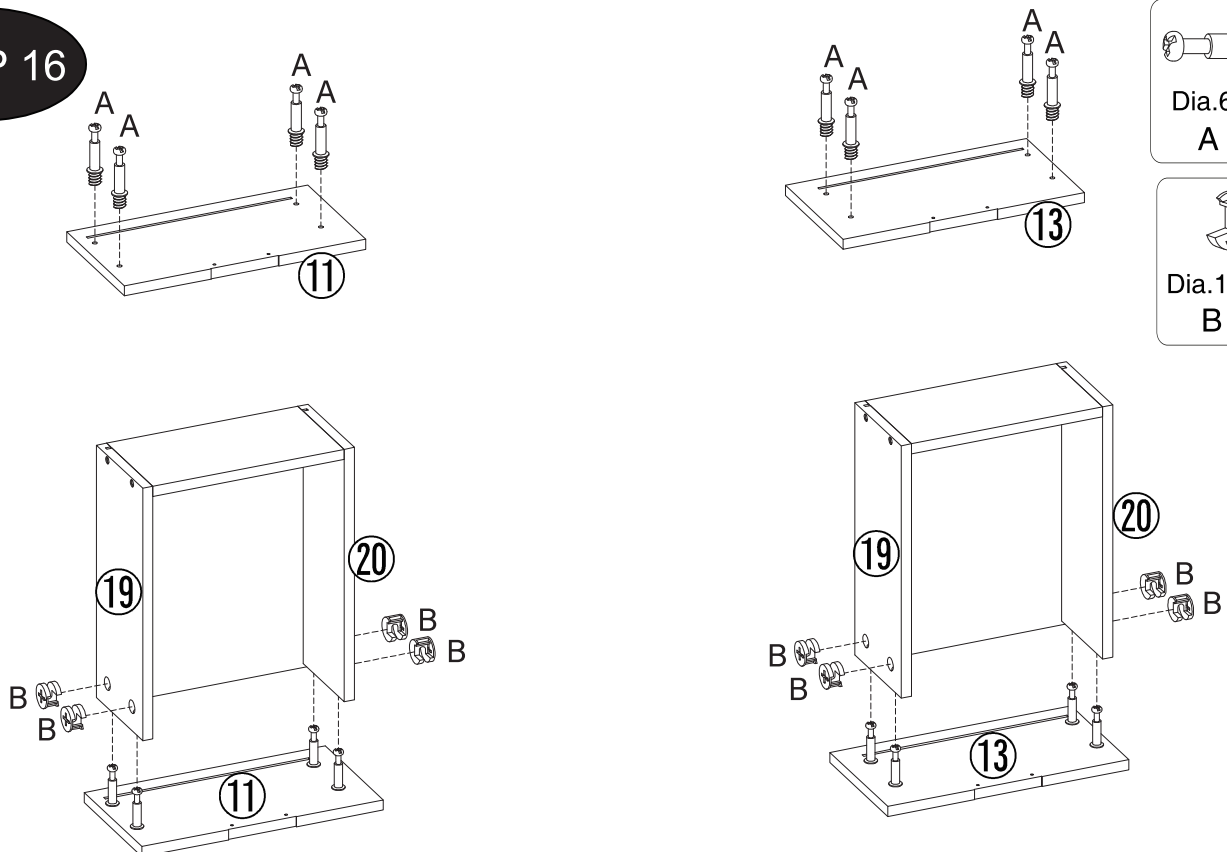
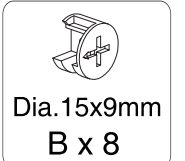
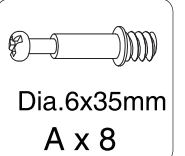
Item Code:434364  
Assembly Instructions

## STEP 15



x2

## STEP 16



# LAUREL HERRINGBONE DRESSING TABLE WITH MIRROR

Item Code:434364  
Assembly Instructions

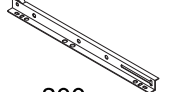
## STEP 17



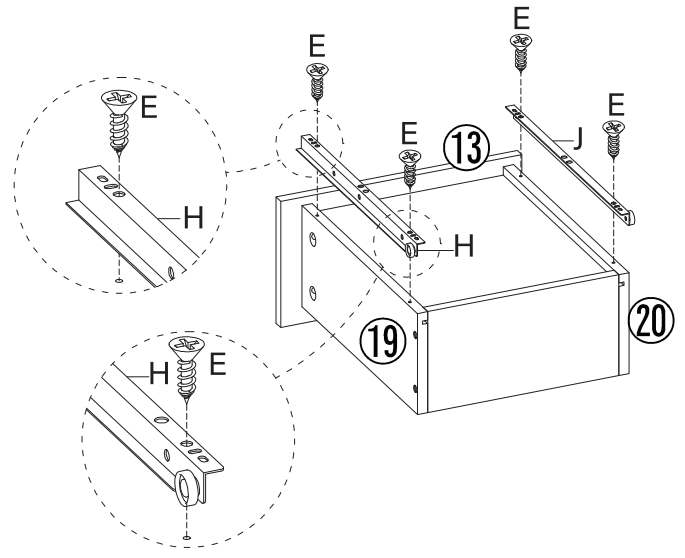
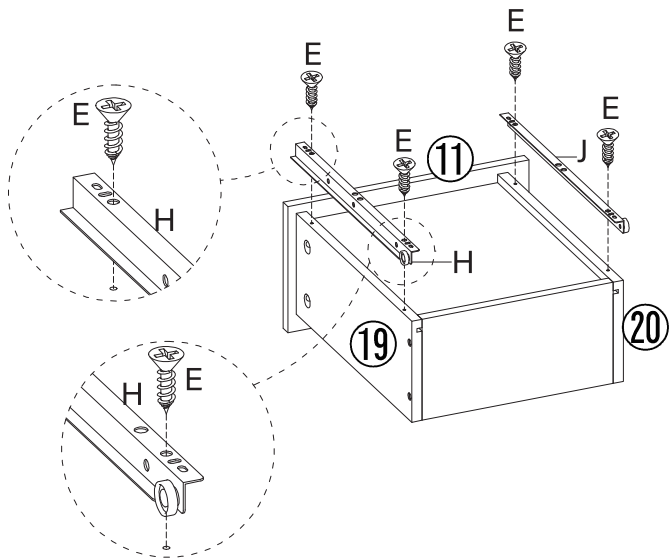
Dia.3x12mm  
E x 8



300mm  
H x 2



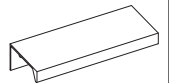
300mm  
J x 2



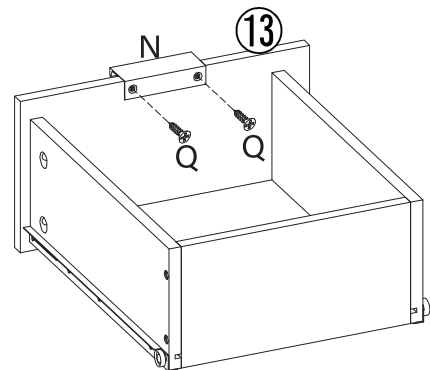
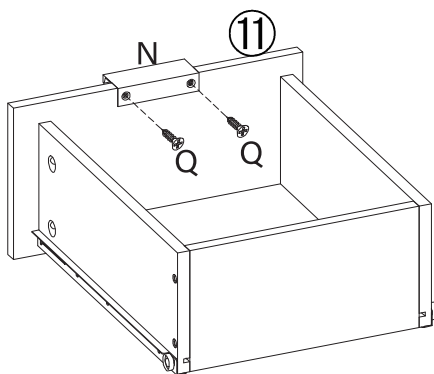
## STEP 18



Dia.3.5x12mm  
Q x 4



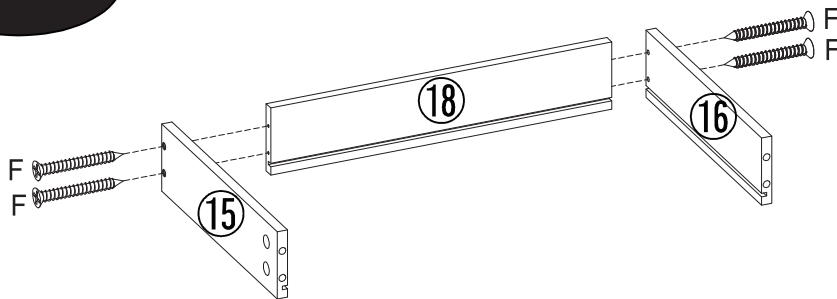
N x 2



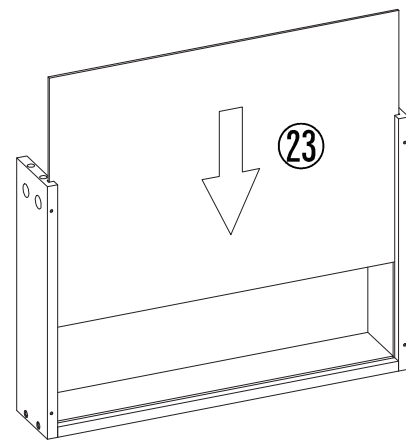
# LAUREL HERRINGBONE DRESSING TABLE WITH MIRROR

Item Code:434364  
Assembly Instructions

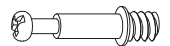
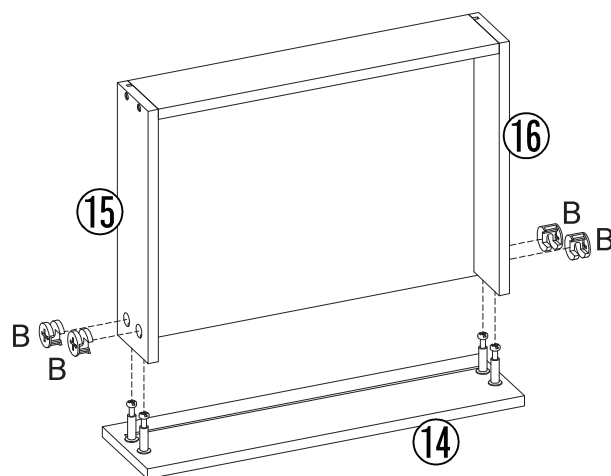
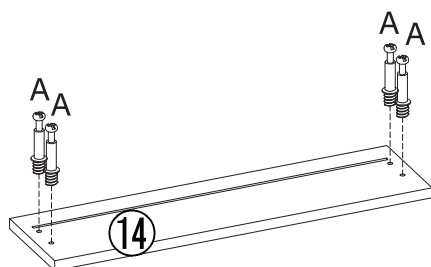
## STEP 19



Dia.4x35mm  
F x 4



## STEP 20



Dia.6x35mm  
A x 4

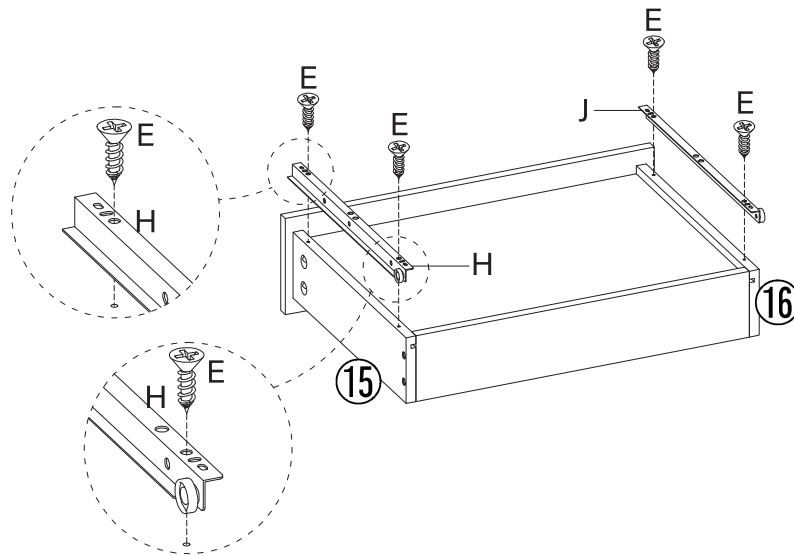


Dia.15x9mm  
B x 4

# LAUREL HERRINGBONE DRESSING TABLE WITH MIRROR

Item Code:434364  
Assembly Instructions

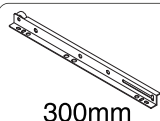
## STEP 21



Dia.3x12mm  
E x 4

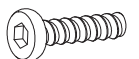
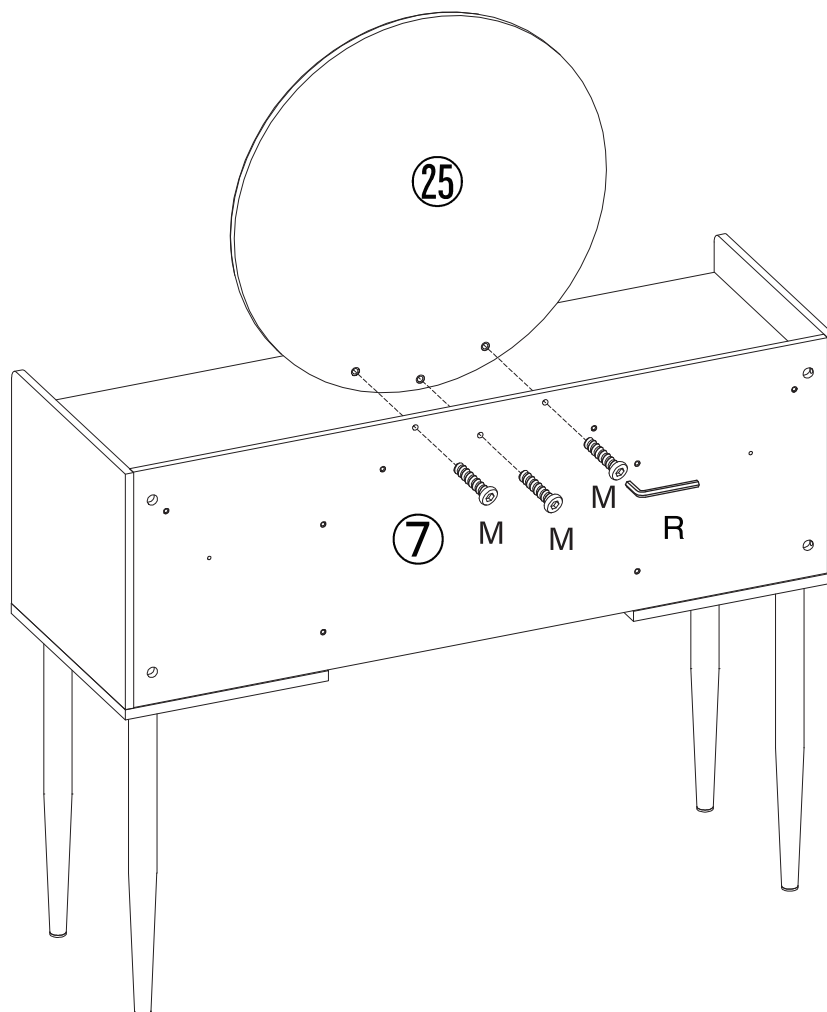


300mm  
H x 1



300mm  
J x 1

## STEP 22



M6x20mm  
M x 3

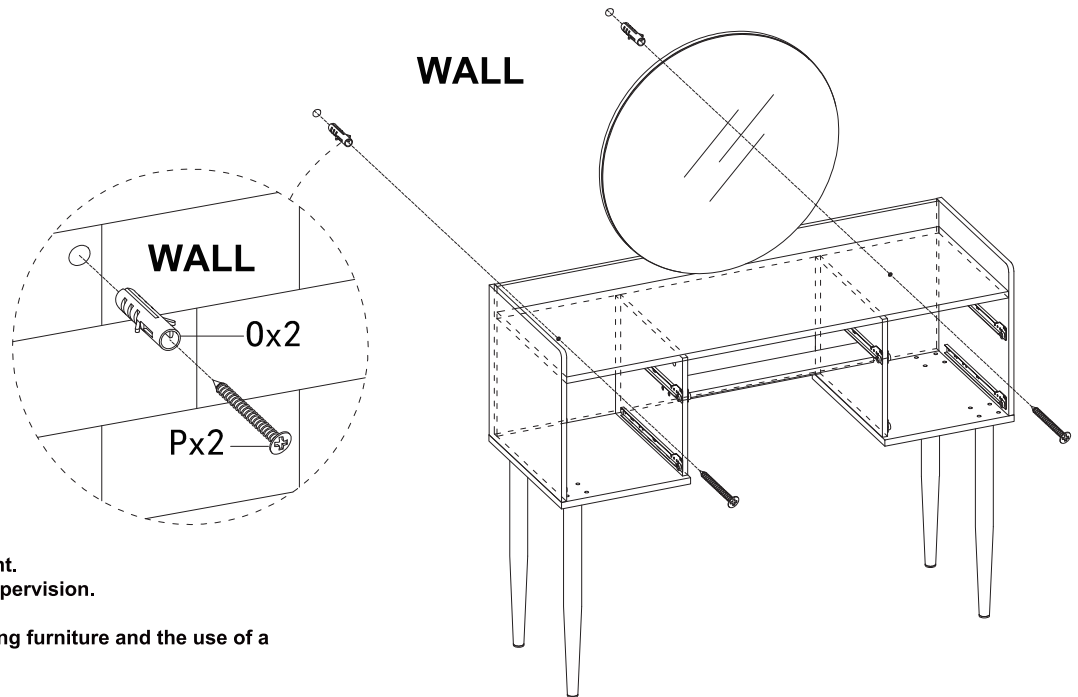
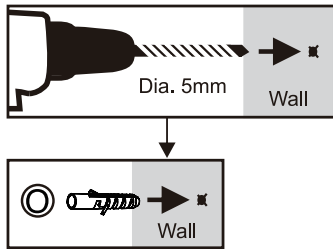


M4  
R x 1

# LAUREL HERRINGBONE DRESSING TABLE WITH MIRROR

Item Code:434364  
Assembly Instructions

## STEP 23



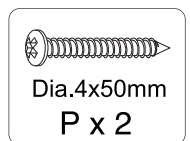
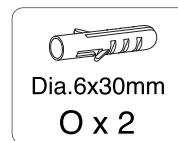
### WARNING:

Anti-tipping hardware is only a deterrent.  
It is not a substitute for proper adult supervision.

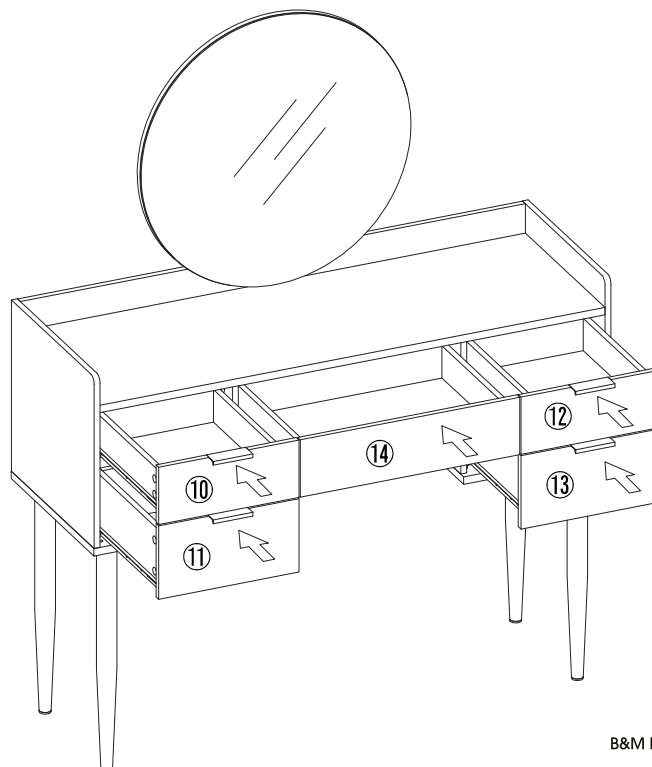
Young children may be injured by tipping furniture and the use of a tipping restraint is highly recommended.

This hardware, when properly installed, could provide protection against the unexpected tipping of furniture due to improper use.

Please ensure the anti-tipping hardware provided is suitable for your wall or else it might damage your wall during installation.



## STEP 24



Domestic Use Only



B&M Retail, L24 8RJ, UK  
www.bmstores.co.uk  
B&M France SAS, 8 Rue du Bois Joli, 63800, France  
MADE IN CHINA